



LACAL EQUIPMENT PARTS CATALOG

Volume 24

ABBREVIATIONS KEY

ABO = ADJUSTABLE BLAST ORIFICE
 ADJ. = ADJUSTABLE
 ASSY. = ASSEMBLY
 BAH = BROOM ASSISTED HEAD
 BRG. = BEARING
 BRKT. = BRACKET
 C.B. / C.BROOM = CENTER BROOM
 CONV. = CONVEYOR
 CYL. = CYLINDER
 DIA. = DIAMETER
 ELEV. = ELEVATOR
 EXH. = EXHAUST
 FLT. = FLIGHT
 G.B. / G.BROOM = GUTTER BROOM
 GEO = GUTTER BROOM EXTENSION
 OVERRIDE
 HD = HEAVY DUTY
 HDW. = HARDWARE
 HSG. = HOUSING
 HYD. = HYDRAULIC
 I.D. = INNER DIAMETER
 IN. = INCH
 LH = LEFT HAND
 M.B. / M.BROOM = MAIN BROOM
 MNT. / MTG. = MOUNT / MOUNTING
 O.D. = OUTER DIAMETER
 OAL = OVERALL LENGTH
 P.U. / P.U.H. = PICKUP / PICKUP HEAD
 PWR. / MAN. = POWER / MANUAL
 RH = RIGHT HAND
 S/N = SERIAL NUMBER
 S.B. / S.BROOM = SIDE BROOM
 SEG. = SEGMENT
 SGL. / DBL. = SINGLE / DOUBLE
 SS = STAINLESS STEEL
 STD. = STANDARD
 SUCT. = SUCTION
 SYS. = SYSTEM
 TH = THICK
 UHMW = ULTRA-HIGH MOLECULAR
 WEIGHT
 W/ (AND W/O) = WITH (AND
 WITHOUT)
 WELD. = WELDMENT
 YD. = YARD

PLOW

Parts by Brand 12-18

Boss 12
 Coates..... 12
 Everest 12
 Flink..... 12
 Fontaine 12
 Gledhill 12-13
 Good Roads..... 13-14
 Henderson 14
 Henke..... 14
 Hi-Way 15
 Meyer 15
 Monroe..... 15
 Root 15
 Swenson 15-16
 Torwel 16
 Valk 16
 Viking 16
 Warren 16
 Wausau 17
 Western..... 17
 Universal Parts..... 17

Blades 8-9

Spinners/Hubs/Motors .. 11

Spreaders/Sanders..... 10

SWEEP

Reconditioning..... 18-21

Parts by Brand 34-54

Allianz 34
 Athey-Mobil..... 34
 Challenger..... 34
 Elgin 34-54
 FMC 54

SWEEP

Johnston 55-57
 Mobil 57-62
 Murphy 62
 Nitehawk 62-63
 Schwarze 63-69
 Stewart Amos 69
 Sweeprite 70
 Tennant 70
 Tymco 70-79

Assemblies 22-25

Popular Parts..... 26-31

Carbide Drag Shoes..... 30
 Curtain Sets 28
 Dirt Hoppers..... 29
 Elevator Frames..... 31
 Elgin Conveyor Belts..... 30
 Impellers 26
 Pickup Heads..... 27

Brooms..... 32-33

MOW

Parts by Brand 82-99

Alamo 82-84
 BMB 84
 Bomford 85
 Bush Hog..... 85-86
 Bush-Whacker 86
 Caldwell 86
 Chambers/CAP 86
 Diamond 87
 Edwards 88
 Hardee 88
 John Deere 88
 King Kutter 89

MOW

Land Pride 89
 Mohawk 89
 Mono 89
 Motrim..... 89-90
 Roanoke..... 90
 Schulte 91
 Servis-Rhino 91-92
 Sidewinder 92
 Sunmaster..... 92
 Terrain King..... 92-95
 Tiger 95-98
 Triumph 99
 Woods..... 99

Dish Pans/Ditcher Disc .. 81

Replacement Tires..... 80

LEAF

Reconditioning..... 100-101

Parts by Brand 104-109

American Roads 104
 Dinkmar..... 104
 Giant Vac 104-106
 ODB 106-111
 Tarrant..... 111

Custom Impellers..... 103

Intake/Exhaust Hose..... 102

SERVICES

Custom Leaf Impellers . 103

Leaf Machine

Reconditioning..... 100-101

Rubber Fabrication..... 6

Street Sweeper

Reconditioning..... 18-21

HOW TO READ LACAL EQUIPMENT PARTS LISTINGS

Lacal Part Numbers begin with an identifying prefix (shown at right) followed by the original equipment manufacturer's part number. There may also be an additional designating code after the part number indicating a special variety of part or an assembly. All original manufacturer's names, drawings, colors and part numbers are used for identification purposes only. Our products are not original equipment parts.

LSSP = Lacal Spreeder / Snow Plow
 LS = Lacal Sweeper
 LB = Lacal Broom
 LM = Lacal Mower
 LLC = Lacal Leaf Collector

CONTACT US TODAY VIA PHONE 800.543.6161 or EMAIL SALES@LACAL.COM

ALL PARTS ARE GUARANTEED TO MEET WITH YOUR APPROVAL. Lacal Equipment, Inc. offers after-market parts for road and highway maintenance equipment. All original equipment manufacturer's names, drawings, colors and part numbers are used for identification purposes only. Lacal is in no way implying that any of our products are original equipment parts.

HELLO - WE'RE LACAL EQUIPMENT



EXPERIENCE THE DIFFERENCE

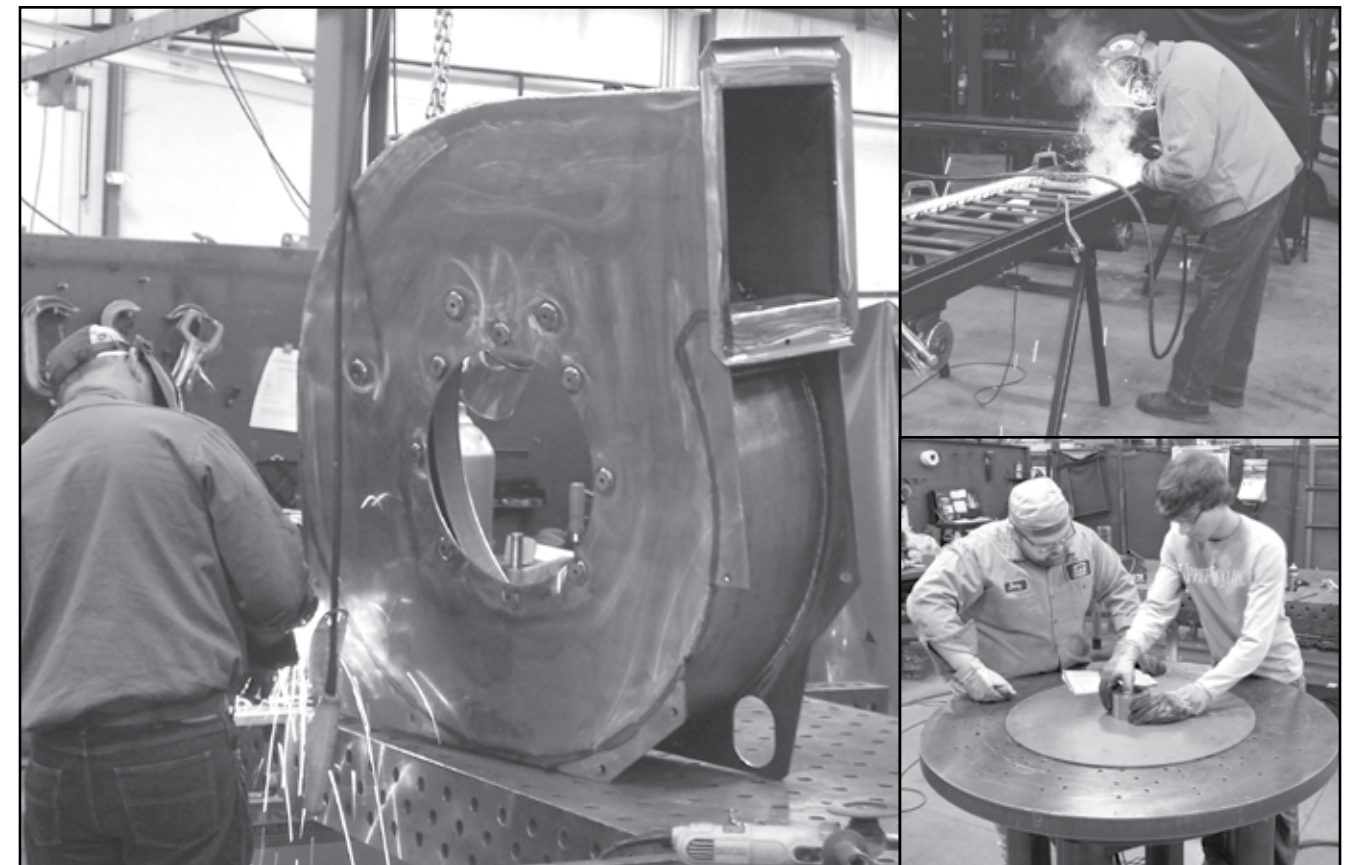
Lacal Equipment is both a manufacturer and distributor of high-caliber replacement parts for road and highway maintenance equipment used across the United States each and every day by cities, counties, states and individual contractors. In addition to our large 17,000+ part inventory, Lacal has access to almost all of the replacement parts used for highway maintenance equipment.

Using thousands of jigs, fixtures, gauges, tools and molds, Lacal produces top-quality parts. Our manufacturing plant is equipped with a full complement of machine tools, enabling us to produce a wide variety of standard and special-order parts. Lacal has its own welding shop and powder-coat paint room, as well as an assembly area to allow us to offer our customers their choice of purchasing either individual parts or complete assemblies. Our quality control program ensures that premium specifications and standards are maintained.

Experience the Lacal difference. From standard and custom replacement parts to made-to-order rubber fabrication and impeller production to our reconditioning services for street sweepers and leaf collectors, we can keep your road maintenance machines operating and your budget intact.

BEFORE BUYING ELSEWHERE, GET AN ABSOLUTELY FREE QUOTE FROM LACAL!

ALL PARTS ARE GUARANTEED TO MEET WITH YOUR APPROVAL. Lacal Equipment, Inc. offers after-market parts for road and highway maintenance equipment. All original equipment manufacturer's names, drawings, colors and part numbers are used for identification purposes only. Lacal is in no way implying that any of our products are original equipment parts.



DESIGN | WELD | MACHINE | POWDER-COAT | REBUILD



ALL PARTS ARE GUARANTEED TO MEET WITH YOUR APPROVAL. Lacal Equipment, Inc. offers after-market parts for road and highway maintenance equipment. All original equipment manufacturer's names, drawings, colors and part numbers are used for identification purposes only. Lacal is in no way implying that any of our products are original equipment parts.

MEET THE LACAL EQUIPMENT

CUSTOMER SERVICE TEAM!

OFFERING YOU WELL OVER 100 YEARS OF EXPERIENCE



*Our Promise
to our customers...*

- ▶ We have built our business on honesty and integrity, and we continue to remain dedicated to our customer's needs and satisfaction.
- ▶ During our business hours, every phone call to Lecal connects to a live person for your assistance.
- ▶ Our entire staff generously add their hundreds of years of knowledge and expertise in manufacturing and service to each and every order.
- ▶ Parts not made directly in our own shop are produced only by carefully selected, high-quality vendors.
- ▶ You benefit from our very comprehensive replacement parts catalog and inventory.
- ▶ Customer satisfaction is 100% in every order.
- ▶ Our cost-effective, small-town location not only offers an economical advantage to you, but also enriches our community, state and country.

Call today!



Jason Wright
Arizona
Minnesota
Mississippi
New Mexico
Ohio



Paul Smith
Alabama
Indiana
Massachusetts
Oregon
Pennsylvania



Tom Homan
California
Illinois
New Jersey
Canada



Dennis Kaverman
Florida
Kansas
New York
Nevada
Wisconsin



Brad Bruskotter
Arkansas
Connecticut
Delaware
Maine
Missouri
North & South Dakota
Oklahoma
Rhode Island
South Carolina
Virginia • Vermont



Scott Schmiesing
Louisiana
Michigan
North Carolina
Tennessee
Washington



Chris Wintrow
Colorado
Georgia
Iowa
Maryland
Nebraska
New Hampshire
Utah



Brian Tomsett
Alaska
Hawaii
Idaho
Kentucky
Montana
Texas
West Virginia
Wyoming

BEFORE BUYING ELSEWHERE, GET AN ABSOLUTELY FREE QUOTE FROM LACAL!

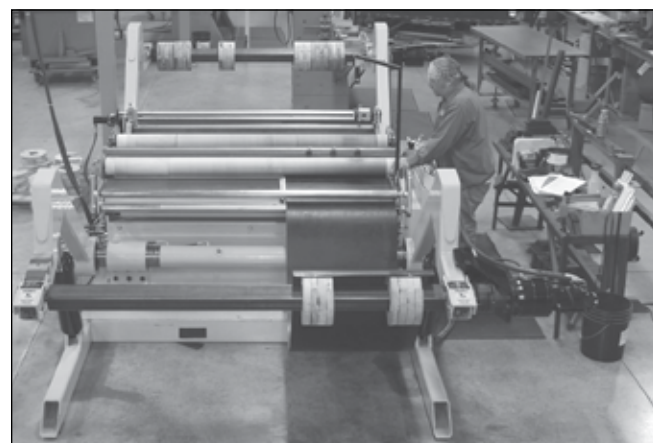
CONTACT US TODAY VIA PHONE 800.543.6161 or EMAIL SALES@LACAL.COM

SERVICE IS OUR SPECIALTY AT LACAL



RUBBER FABRICATION

Lacal's custom rubber services include cutting, slitting and punching high-quality two-ply corded belting to your specifications. We can produce pieces ranging from 1" to 60" wide from our rolled stock, in varying thicknesses. Lacal is able to meet almost any need with a sure-to-please quick turnaround time. Call today to get started!



NEARLY UNLIMITED USES:

PLOW

Blades
Deflectors

SWEEP

Covers
Curtain Sets
Drag Shoes
Drape Assemblies
Seals
Squeegees
Suction Baffles

MOW

Deflectors
Flaps

LEAF

Deflectors
Seals

AND MORE

Boat Ramp Bumpers
Storage Shelf Liners
Link Fence Strips
Mats

Send Us Your Designs or Prints For a Free Quote!



IN STOCK NOW!

Choose From:

- 1/4" (.250") thick
- 5/16" (.3125") thick
- 3/8" (.375") thick
- 7/16" (.4375") thick
- 1/2" (.500") thick

Other thicknesses also available in limited quantities. Just ask!



SERVICE IS OUR SPECIALTY AT LACAL

with CUSTOMIZED ORDERS like these always made to your exact specifications!

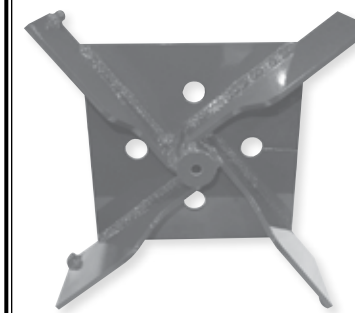
SPREADER CHAINS



We double-weld the top and bottom bars to increase strength and durability, then ship them out lickety-split.

SEE MORE INFO ON PAGE 10
OR CALL LACAL TODAY: 800.543.6161

LEAF IMPELLERS



Save money with a customized impeller guaranteed to fit your machine. Constructed of high-quality USA steel.

SEE MORE INFO ON PAGE 103
OR CALL LACAL TODAY: 800.543.6161

EVERYTHING OLD IS NEW AGAIN - EVEN YOUR SWEEPER!



Our years of experience with many different brands makes Lacal the leading choice for rebuilding your sweeper, no matter the make or model.

WE'VE WORKED ON THESE BRANDS AND WE'RE ALWAYS LOOKING FOR MORE:
CHALLENGER • ELGIN • JOHNSTON • MOBIL • SCHWARZE • STEWART-AMOS • TYMCO

WE'RE READY TO TACKLE THE CHALLENGE OF YOUR MACHINE!

SEE MORE INFO ON PAGES 18-21 OR CALL LACAL TODAY: 800.543.6161

GET READY FOR NEXT FALL RIGHT NOW



Never remember just how rusty your leaf machine is until you pull it out of storage? Lacal can rebuild your leaf machine back to like-new condition for a fraction of the cost of new. Maximize your investment - keep your equipment running.

SEE MORE INFO ON PAGES 100-101 OR CALL LACAL TODAY: 800.543.6161

BEFORE BUYING ELSEWHERE, GET AN ABSOLUTELY FREE QUOTE FROM LACAL!

CONTACT US TODAY VIA PHONE 800.543.6161 or EMAIL SALES@LACAL.COM

THESE ARE JUST SOME OF OUR MOST REQUESTED PRODUCTS...



Metal Plow Blades

STEEL

(MEASUREMENTS SHOWN AS THICKNESS X WIDTH X LENGTH)

| ITEM NUMBER | DESCRIPTION |
|----------------|--|
| LSSP44997 | 1/2" X 6" X 40-3/4" |
| SB1/2X6X090 | 1/2" X 6" X 90" WESTERN PRO PLUS (64775) |
| SB1/2X6X090FMT | 1/2" X 6" X 90" MEYER |
| SB1/2X6X090FWT | 1/2" X 6" X 90" WESTERN |
| SB1/2X6X096FMT | 1/2" X 6" X 96" WESTERN PRO PLUS (63980) |
| SB1/2X6X096FMT | 1/2" X 6" X 96" MEYER |
| SB1/2X6X096FWT | 1/2" X 6" X 96" WESTERN |
| SB1/2X6X102 | 1/2" X 6" X 102" WESTERN PRO PLUS (63985) |
| SB1/2X6X102FMT | 1/2" X 6" X 102" MEYER |
| SB1/2X6X102FWT | 1/2" X 6" X 102" WESTERN |
| SB1/2X6X108 | 1/2" X 6" X 108" WESTERN PRO PLUS (63990) |
| SB1/2X6X108FST | 1/2" X 6" X 108" SINGLE EDGE, STD. HWY. PUNCH* |
| SB1/2X6X120FST | 1/2" X 6" X 120" SINGLE EDGE, STD. HWY. PUNCH* |
| SB1/2X6X132FST | 1/2" X 6" X 132" SINGLE EDGE, STD. HWY. PUNCH* |

STEEL

(MEASUREMENTS SHOWN AS THICKNESS X WIDTH X LENGTH)

| ITEM NUMBER | DESCRIPTION |
|----------------|--|
| SB5/5X6X108FST | 5/8" X 6" X 108" SINGLE EDGE, STD. HWY. PUNCH* |
| SB5/8X6X120FST | 5/8" X 6" X 120" SINGLE EDGE, STD. HWY. PUNCH* |
| SB5/8X6X132FST | 5/8" X 6" X 132" SINGLE EDGE, STD. HWY. PUNCH* |
| SB5/8X6X144FST | 5/8" X 6" X 144" SINGLE EDGE, STD. HWY. PUNCH* |
| SB5/8X8X108FST | 5/8" X 8" X 108" SINGLE EDGE, STD. HWY. PUNCH* |
| SB5/8X8X120FST | 5/8" X 8" X 120" SINGLE EDGE, STD. HWY. PUNCH* |
| SB5/8X8X132FST | 5/8" X 8" X 132" SINGLE EDGE, STD. HWY. PUNCH* |
| SB5/8X8X144FST | 5/8" X 8" X 144" SINGLE EDGE, STD. HWY. PUNCH* |

CARBIDE

(MEASUREMENTS SHOWN AS THICKNESS X WIDTH X LENGTH)

| ITEM NUMBER | DESCRIPTION |
|-----------------|---|
| CB3/4X6X036FSTC | 3/4" X 6" X 36" SINGLE EDGE, STD. HWY. PUNCH* |
| CB3/4X6X048FSTC | 3/4" X 6" X 48" SINGLE EDGE, STD. HWY. PUNCH* |

*"Standard Highway Punch" refers to a 3-3-12 punch pattern. The blade will be punched 3" from each end, again 3" from the first end punch, and then every 12" inches across the blade. The photos above feature this pattern.



**BLADE SIZE NOT LISTED?
CALL 800.543.6161 TODAY!**

Lacal Equipment has many other sizes and punch patterns available for your snow plow. Contact your sales representative today to access our entire inventory!

Polyurethane Plow Blades

AVAILABLE IN A LARGE VARIETY OF SIZES.
WE'LL PUNCH THE BLADES IN-HOUSE
TO YOUR SPECIFICATIONS.

Polyurethane Blades are ultra-flexible – even at temperatures well below zero! Amazingly, they are tough enough to outlast both rubber and steel plow blades while being gentle on road surfaces like cobblestone, brick, pavers, curbs, speed bumps and more.

**DON'T FORGET
RETAINING STRIPS
& HARDWARE**

BEFORE BUYING ELSEWHERE, GET AN ABSOLUTELY FREE QUOTE FROM LACAL!

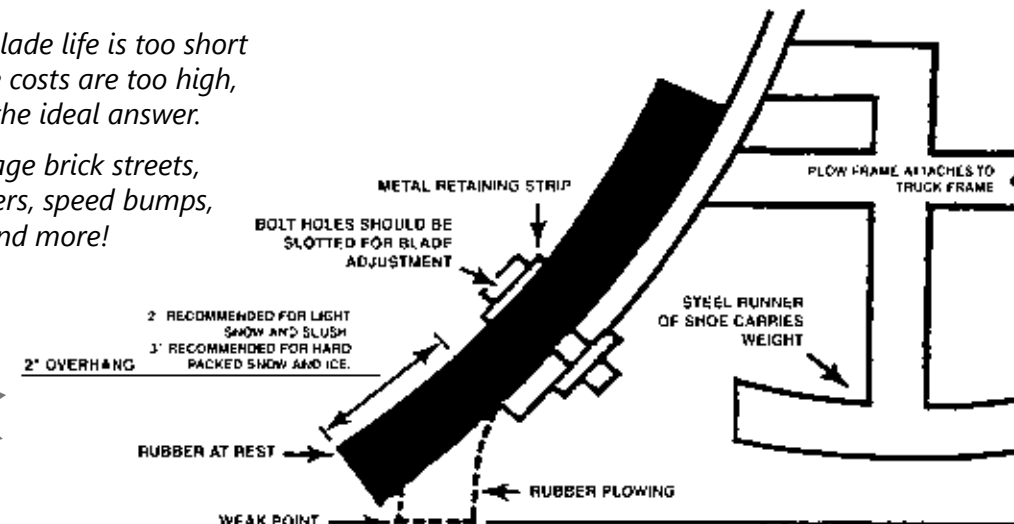
ALL PARTS ARE GUARANTEED TO MEET WITH YOUR APPROVAL. Lacal Equipment, Inc. offers after-market parts for road and highway maintenance equipment. All original equipment manufacturer's names, drawings, colors and part numbers are used for identification purposes only. Lacal is in no way implying that any of our products are original equipment parts.

LACAL HAS MANY MORE ITEMS AVAILABLE – JUST ASK!

Rubber Plow Blades

Whenever steel plow blade life is too short or blade maintenance costs are too high, rubber blades are the ideal answer.

They will not damage brick streets, curbs, manhole covers, speed bumps, reflectors and more!



SIZES:

We stock Rubber Blades in the following standard sizes:

1" x 6" • 1.5" x 8" • 1.5" x 10" • 1.5" x 12"

Blade width selection is based on equipment and operating conditions. The following guidelines may be used to determine blade width: "V" plows, 12" width; front-mounted plows, 10" width; underbody-mounted plows and graders, 8" width.

LENGTHS:

Using your exact specifications, Lacal cuts all rubber plow blade orders to length before creating your desired bolt holes for proper mounting. Bulk rubber is available cut into desired lengths or uncut in stock 50-ft. lengths.

BOLT HOLES:

Mounting holes may be slotted or drilled. Slotting permits blade adjustment for maximum wear and service life. Drilling is preferred in applications where the blade is subject to an undue amount of pressure from plow weight or abnormally high-crowned roads.

ADJUSTMENT:

We recommend that rubber plow blades be adjusted to the type of equipment on which they are installed. Front-mounted plows that ride on casters or shoes perform best with a 2" over-hang. We suggest a 1" extension beyond the moldboard for unsupported front-mounted, underbody-mounted plows and graders.



PRE-PUNCHED BLADES

with Standard Highway Punch*

In Stock & Ready to Ship for Sizes:

8" x 10' 10" x 10' 12" x 10'
8" x 11' 10" x 11' 12" x 11'

SPECIAL ORDER BLADES

Cut and Punched to YOUR Specifications.
Special Punch Pattern Orders Ship in 1-2 Days.

BULK ORDER BLADES

We stock the following sizes:

1" x 6" • 1.5" x 8" • 1.5" x 10" • 1.5" x 12"

*"Standard Highway Punch" refers to a 3/3/12 punch pattern. The blade will be punched 3" from each end, again 3" from the first end punch, and then every 12" inches across the blade. The photos on page 14 feature this pattern.

CONTACT US TODAY VIA PHONE 800.543.6161 or EMAIL SALES@LACAL.COM

ALL PARTS ARE GUARANTEED TO MEET WITH YOUR APPROVAL. Lacal Equipment, Inc. offers after-market parts for road and highway maintenance equipment. All original equipment manufacturer's names, drawings, colors and part numbers are used for identification purposes only. Lacal is in no way implying that any of our products are original equipment parts.

THESE ARE JUST SOME OF OUR MOST REQUESTED PRODUCTS...



NEW

Spreader Chain: Made to Order

BELT OVER CHAIN NOW AVAILABLE

DOUBLE WELDED TOP & BOTTOM BARS TO INCREASE STRENGTH

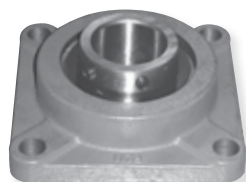
Available in standard sizes (88K, 662, 667H, 667X, 667XH) customized to your width and length. Bar thicknesses available in 1/4", 3/8" or 1/2". See the "Spreader Chain Worksheet" at www.lacal.com/worksheets, then call for more information.

800.543.6161

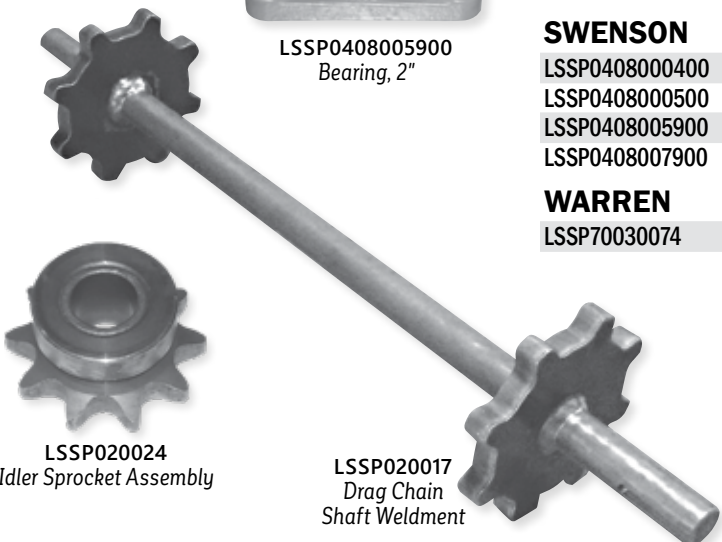
SPREADERS & SANDERS



LSSP006977
Sprocket



LSSP0408005900
Bearing, 2"



LSSP020017
Drag Chain
Shaft Weldment



LSSP020024
Idler Sprocket Assembly

LSSP70030074
Auger

FLINK

| | |
|------------|---------------------------|
| LSSP006977 | SPROCKET |
| LSSP020017 | DRAG CHAIN SHAFT WELDMENT |
| LSSP020024 | IDLER SPROCKET ASSEMBLY |
| LSSP420T | BEARING, 1" BORE, 2-BOLT |
| LSSP421S4 | BEARING, 1-1/8", 4-BOLT |
| LSSP421X | FLANGE BEARING W/ COLLAR |

MONROE

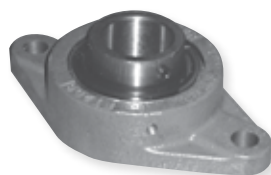
| | |
|--------------|-----------------------|
| LSSP05030007 | BEARING |
| LSSP05033003 | SPROCKET, 1-1/2" BORE |

SWENSON

| | |
|----------------|--------------------------------|
| LSSP0408000400 | FLANGE BEARING, 1-1/2", 2-BOLT |
| LSSP0408000500 | BEARING, 1-1/4" |
| LSSP0408005900 | BEARING, 2", 4-BOLT |
| LSSP0408007900 | BEARING, 1" TAP BASE |

WARREN

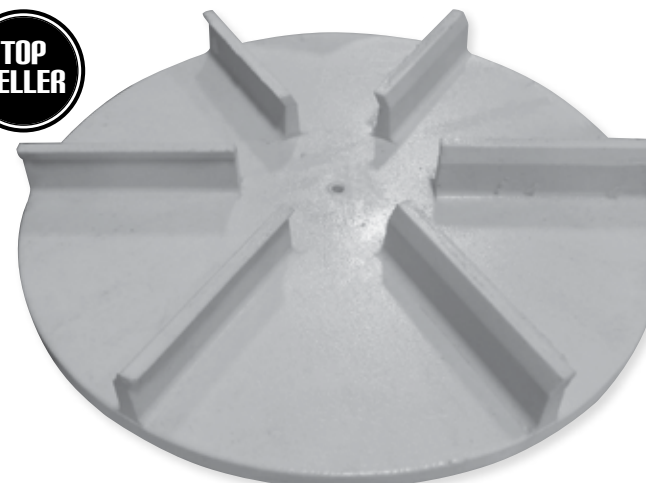
| | |
|--------------|-------|
| LSSP70030074 | AUGER |
|--------------|-------|



LSSP0408000400
Flange Bearing

LACAL HAS MANY MORE ITEMS AVAILABLE – JUST ASK!

TOP SELLER



LSSP20CCW
CCW Poly Spinner, 20"



Spinner Hubs

Spinners, Hubs and Motors

POLYURETHANE SPINNERS

| | |
|-----------|-----------------------|
| LSSP12CW | 12" CLOCKWISE |
| LSSP14CCW | 14" COUNTER-CLOCKWISE |
| LSSP14CW | 14" CLOCKWISE |
| LSSP14STR | 14" STRAIGHT FIN |
| LSSP16CW | 16" CLOCKWISE |
| LSSP18CCW | 18" COUNTER-CLOCKWISE |
| LSSP18CW | 18" CLOCKWISE |
| LSSP18STR | 18" STRAIGHT FIN |
| LSSP20CCW | 20" COUNTER-CLOCKWISE |
| LSSP20CW | 20" CLOCKWISE |
| LSSP20STR | 20" STRAIGHT FIN |
| LSSP22CCW | 22" COUNTER-CLOCKWISE |
| LSSP22CW | 22" CLOCKWISE |
| LSSP22STR | 22" STRAIGHT FIN |
| LSSP24CCW | 24" COUNTER-CLOCKWISE |
| LSSP24CW | 24" CLOCKWISE |
| LSSP24STR | 24" STRAIGHT FIN |

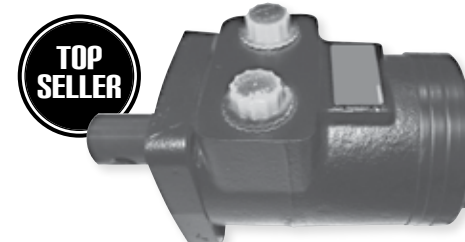
SPINNER HUBS

| | |
|-------------|----------------------------------|
| LSSPHK18 | SPINNER HUB WITH KEYWAY |
| LSSPHT18B | STANDARD HUB |
| LSSPHT18SP | SALT SPINNER HUB, SPECIAL |
| LSSPHT18SPB | HUB, SPECIAL |
| LSSPHU14 | SPINNER HUB W/KEYWAY & THRU HOLE |

HYDRAULIC SPINNER MOTORS

| | MOUNT. FLANGE | SHAFT | PORT |
|----------------|---------------|-----------------|---------------|
| LSSP1011001 | 4-BOLT | 1" KEYED | 1/2" NPTF* |
| LSSP1011003 | 4-BOLT | 1" KEYED | 1/2" NPTF* |
| LSSP1011004009 | 4-BOLT | 1" KEYED | 1/2" NPTF* |
| LSSP1011007 | 4-BOLT | 1" KEYED | 1/2" NPTF* |
| LSSP1011008009 | 4-BOLT | 1" KEYED | 1/2" NPTF* |
| LSSP1011009009 | 4-BOLT | 1" KEYED | 7/8-14 O-RING |
| LSSP1011011 | 4-BOLT | 1" KEYED | 7/8-14 O-RING |
| LSSP1011025 | 2-BOLT | 1" KEYED | 1/2" NPTF* |
| LSSP1011032 | 2-BOLT | 1" KEYED | 1/2" NPTF* |
| LSSP1011033 | 2-BOLT | 1" KEYED | 7/8-14 O-RING |
| LSSP1011034 | 2-BOLT | 1" KEYED | 7/8-14 O-RING |
| LSSP1011313 | 4-BOLT | 1" W/CROSS HOLE | 1/2" NPTF* |
| LSSP1011314 | 4-BOLT | 1" W/CROSS HOLE | 1/2" NPTF* |

*NPTF = National Pipe Taper Fuel (Dryseal)



TOP SELLER

LSSP1011313
Hydraulic Motor



TOP SELLER

LSSP1011001
Hydraulic Motor

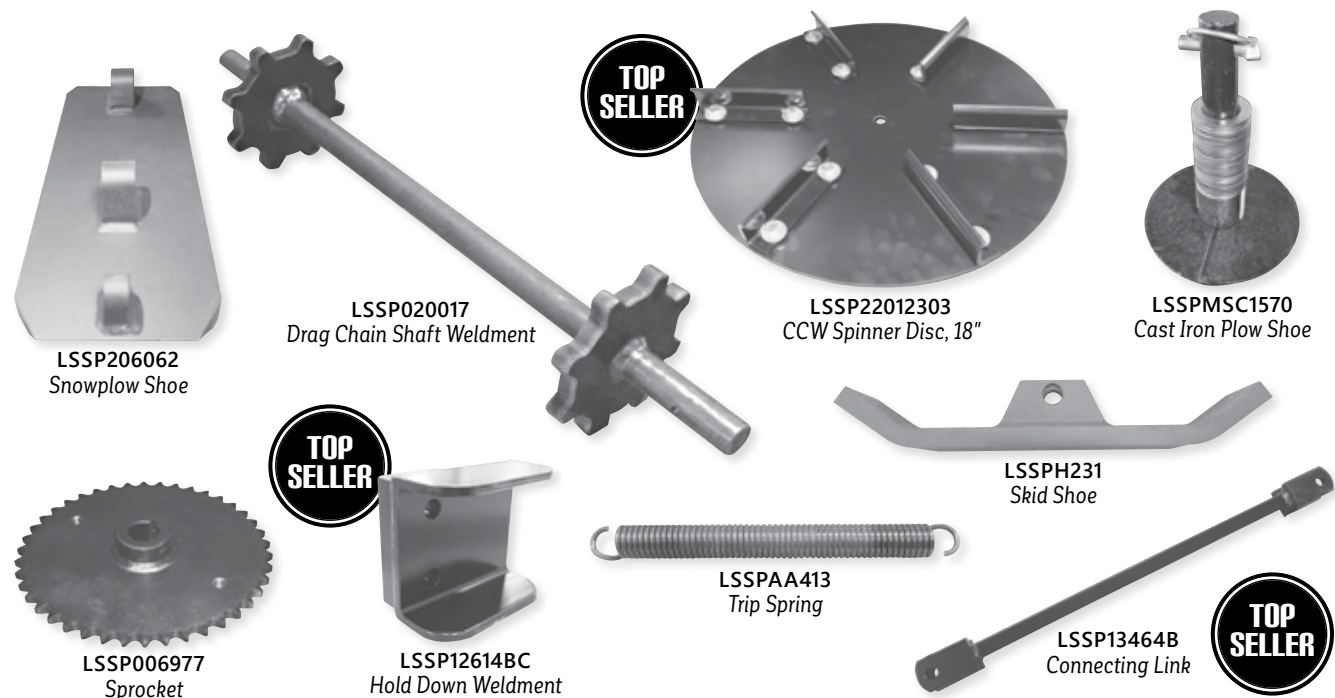
BEFORE BUYING ELSEWHERE, GET AN ABSOLUTELY FREE QUOTE FROM LACAL!

CONTACT US TODAY VIA PHONE 800.543.6161 or EMAIL SALES@LACAL.COM

ALL PARTS ARE GUARANTEED TO MEET WITH YOUR APPROVAL. Local Equipment, Inc. offers after-market parts for road and highway maintenance equipment. All original equipment manufacturer's names, drawings, colors and part numbers are used for identification purposes only. LACAL is in no way implying that any of our products are original equipment parts.

ALL PARTS ARE GUARANTEED TO MEET WITH YOUR APPROVAL. Local Equipment, Inc. offers after-market parts for road and highway maintenance equipment. All original equipment manufacturer's names, drawings, colors and part numbers are used for identification purposes only. LACAL is in no way implying that any of our products are original equipment parts.

THESE ARE JUST SOME OF OUR MOST REQUESTED PRODUCTS...



BOSS

| | |
|--------------|-----------------------------|
| LSSP1304712 | CAST IRON PLOW SHOE |
| LSSPBAX00098 | V-PLOW CUTTING EDGE |
| LSSPBAX00099 | V-PLOW CUTTING EDGE |
| LSSPBAX08057 | WING EXTENSION |
| LSSPHYD01603 | HYDRAULIC CYLINDER |
| LSSPHYD07013 | HYDRAULIC CYLINDER |
| LSSPHYD08830 | HYDRAULIC CYLINDER |
| LSSPHYD09731 | HYDRAULIC CYLINDER |
| LSSPHYD1633 | SOLENOID |
| LSSPMSC01501 | OUTER SKID SHOE |
| LSSPMSC01509 | TRIP SPRING |
| LSSPMSC01517 | SHOCK ABSORBER |
| LSSPMSC01570 | CENTER SKID SHOE |
| LSSPMSC04086 | ON-OFF JOYSTICK SWITCH |
| LSSPMSC04087 | RAISE-LOWER JOYSTICK SWITCH |
| LSSPMSC07705 | TRIP SPRING |
| LSSPMSC1570 | CAST IRON PLOW SHOE |
| RP1/2X6X108B | BOSS RETAINER PLATE |

COATES

| | |
|-----------|-------------|
| LSSPAA413 | TRIP SPRING |
| LSSPH231 | SKID SHOE |

EVEREST

| | |
|-------------|-------------------------|
| LSSP13P0008 | AXLE SHAFT |
| LSSP13P0013 | CONV. COUPLE AXLE SHAFT |

FISHER

| | |
|-------------|----------|
| LSSP1301350 | BOLT KIT |
| LSSP1301355 | BOLT KIT |
| LSSP20320 | SHAFT |

FISHER

| | |
|-----------|------------------------|
| LSSP26523 | SKID SHOE |
| LSSP29675 | 4-PC. CUTTING EDGE KIT |
| LSSP29743 | SHOE BRACKET WELDMENT |
| LSSP50697 | BOLT BAG |
| LSSP5551 | BOLT KIT |
| LSSP5572 | BOLT KIT |

FINK

| | |
|-------------|-------------------------------------|
| LSSP006977 | SPROCKET |
| LSSP015460 | AUGER |
| LSSP02000 | MATERIAL CHUTE, UPPER SECTION |
| LSSP020017 | DRAG CHAIN SHAFT WELD. |
| LSSP020024 | IDLER SPROCKET ASSEMBLY |
| LSSP020413 | MATERIAL CHUTE, UPPER WELD ASSEMBLY |
| LSSP020433 | SPINNER HUB |
| LSSP021064 | IDLER ROLLER WELD |
| LSSP021878 | SPROCKET ASSY |
| LSSP021963 | BOLT ANGLE WELD ASSEMBLY |
| LSSP030562 | METAL SPINNER VEIN |
| LSSP203145 | BLADE BACKER WELDMENT |
| LSSP203199 | ADJUSTABLE SCREW |
| LSSP204010 | FRAME BRACE |
| LSSP204011 | DIAGONAL BRACE |
| LSSP206061F | CAST WEAR RUNNER ADAPTER |
| LSSP206062 | SNOWPLOW SHOE |
| LSSP206267 | SHOE CHAIN |
| LSSP420T | BEARING, 1" BORE, 2-BOLT |
| LSSP42154 | BEARING ASSEMBLY |
| LSSP421F4 | BEARING ASSEMBLY |
| LSSP4621 | HYDRAULIC MOTOR |
| LSSP462F | HYDRAULIC AUGER MOTOR |

FINK

| | |
|-------------|----------------------|
| LSSP462F1 | HYDRAULIC MOTOR |
| LSSP462F12 | HYDRAULIC MOTOR |
| LSSP462F2 | HYDRAULIC MOTOR |
| LSSP464PB | HYDRAULIC CYLINDER |
| LSSP612F | CASTER SHANK |
| LSSP612W | CASTER SHANK |
| LSSPAA28585 | LOCKING NUT ASSEMBLY |
| LSSPAA8670 | CASTER WHEEL W/AXLE |

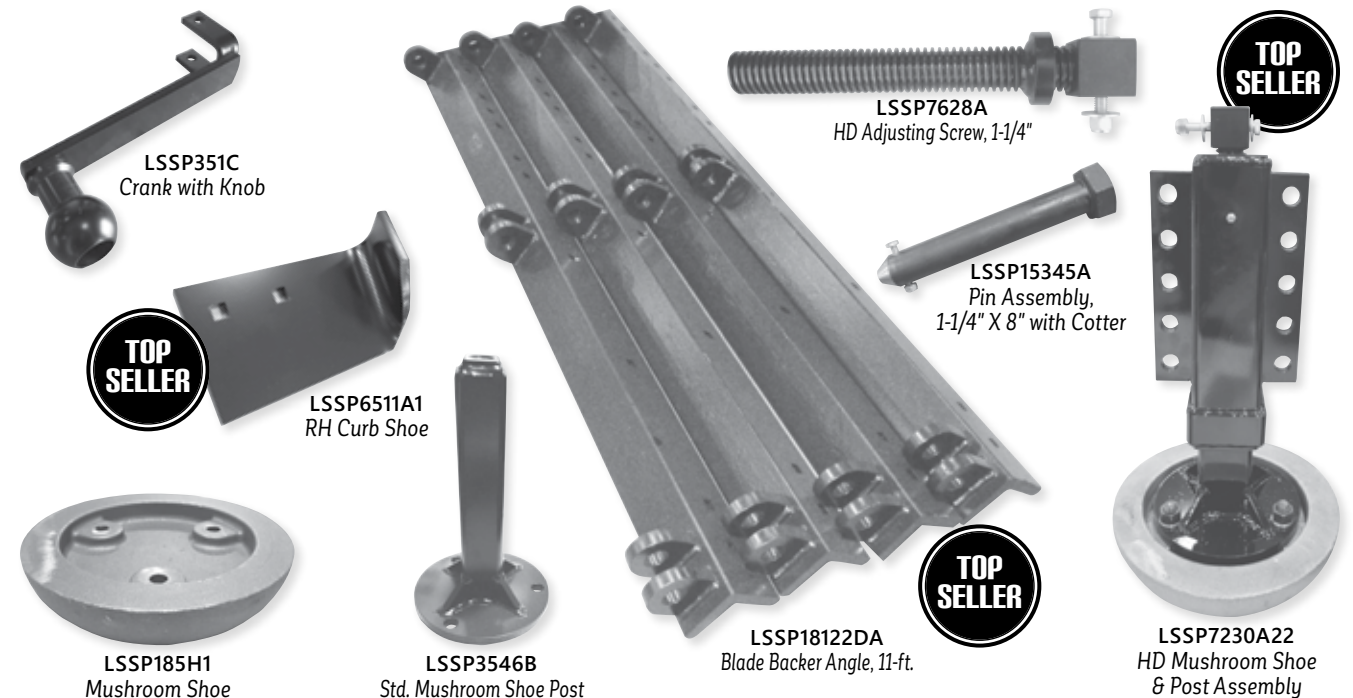
FONTAINE

| | |
|--------------|-----------------------|
| LSSP22000711 | TAKEUP ADJUSTER |
| LSSP22012303 | CCW SPINNER DISC, 18" |

GLEDHILL

| | |
|--------------|----------------------------|
| LS1072837B | FLANGE |
| LS7628A | ADJUSTING SCREW, 1-1/4" |
| LS9748A | HD SHOE POST |
| LSSP11284A | SPACER |
| LSSP114-28-1 | CYLINDER, 2-1/2" X 10" |
| LSSP11690B | BLADE BACKER ANGLE, 48" |
| LSSP12436DA | BLADE BACKER ANGLE, 10-FT. |
| LSSP12614BA | HOLD DOWN ASSEMBLY |
| LSSP12614BC | HOLD DOWN WELDMENT |
| LSSP12648DB | TRIP EDGE WELDMENT |
| LSSP13080AC | RUBBER BUMPER STOP |
| LSSP13282C | BLADE SAVER |
| LSSP13464B | CONNECTING LINK |
| LSSP13466B | CONNECTING LINK |
| LSSP13475C | BLADE SAVER SHOE, 6" |
| LSSP13476C | BLADE SAVER SHOE, 8" |
| LSSP13688A | HITCH LIFT ARM CLEVIS PIN |
| LSSP13711 | BEARING, 1-1/4" |
| LSSP14681A | SHOE POST |

LACAL HAS MANY MORE ITEMS AVAILABLE – JUST ASK!



GLEDHILL

| | |
|--------------|---------------------------------------|
| LSSP14791A | TORSION SPRING, .875" DIA. WIRE |
| LSSP15312A | PIN ASSEMBLY, 1-1/4" X 9-1/2" W/S |
| LSSP15345A | PIN ASSEMBLY, 1-1/4" X 8" WITH COTTER |
| LSSP15346A | PIN ASSY, 1-1/4" X 6-1/2" |
| LSSP15646C | BLADE SAVER SHOE, 6" |
| LSSP15647C | BLADE SAVER SHOE, 8" |
| LSSP17102DA | BLADE BACKER ANGLE, 11-FT. |
| LSSP18121DA | BLADE BACKER ANGLE, 10-FT. |
| LSSP18122DA | BLADE BACKER ANGLE, 11-FT. |
| LSSP18125DA | BLADE BACKER ANGLE, 12-FT. |
| LSSP18468A | HANDLE CRANK ASSY FAB |
| LSSP185H1 | MUSHROOM SHOE |
| LSSP19132A | RH SLIDE WELDMENT |
| LSSP19133A | LH SLIDE WELDMENT |
| LSSP1947A | SHOE POST |
| LSSP1980D | TRIP SPRING |
| LSSP1980D3 | TRIP SPRING |
| LSSP1980D87 | TRIP SPRING |
| LSSP2666D1SP | SKID SHOE, WELDED, 8 X 15 |
| LSSP3261C | CASTER WHEEL, 10" |
| LSSP351C | CRANK W/KNOB |
| LSSP3546B | STD MUSHROOM SHOE POST |
| LSSP3546BC | POST |
| LSSP3546BD | RH TAPPED BLOCK, 1-5 ACME |
| LSSP4759A | ADJUSTING SCREW |
| LSSP4816A | CRANK BLOCK |
| LSSP4817A | CRANK HANDLE |
| LSSP5175A193 | PIN, 1-15/16" X 26-1/4" |
| LSSP5175A55 | PIN W/2 COTTERS |
| LSSP5175A55A | PIN W/O COTTERS |

ASSEMBLIES SAVE YOU TIME & MONEY
Let Lecal Give You a Head Start!
 Instead of individual parts, order whole completed machine sections. Look for the word "ASSEMBLY" (or "ASSY") in our product listings or just ask!

GLEDHILL

| | |
|----------------|--|
| LSSP5308A114 | BOLT & LOCKNUT |
| LSSP5308A245 | BOLT ASSEMBLY, 1/2" X 3" |
| LSSP5308A35 | BOLT KIT |
| LSSP5308A4 | BOLT ASSEMBLY |
| LSSP5308A410 | BOLT ASSEMBLY |
| LSSP5322A3 | SHACKLE |
| LSSP5750A | STD ADJUSTING SCREW |
| LSSP5937A1 | BEARING ASSEMBLY |
| LSSP6511A1 | RH CURB SHOE |
| LSSP6511A2 | LH CURB SHOE |
| LSSP6611A | STD SHOE POST HOUSING |
| LSSP6611AA | TUBE |
| LSSP6611AC | COLLAR |
| LSSP6611AD | MOUNTING PLATE |
| LSSP7230A11 | STANDARD MUSHROOM SHOE & POST ASSEMBLY |
| LSSP7230A11WOS | STD ASSEMBLY W/O SHOE |
| LSSP7230A22 | HD MUSHROOM SHOE & POST ASSEMBLY |
| LSSP7230A22WOS | HD MUSHROOM ASSEMBLY W/O SHOE |

GLEDHILL

| | |
|-------------|----------------------------|
| LSSP7623A | HD SHOE POST HOUSING |
| LSSP7628A | HD ADJUSTING SCREW, 1-1/4" |
| LSSP9748A | HD MUSHROOM SHOE POST |
| LSSPA43666 | GRAB LINK |
| LSSPP11012 | MOTOR |
| LSSPP11013 | HYDRAULIC MOTOR |
| LSSPP11455 | 4" X 20" DA RAM M/PR2 |
| LSSPP11466 | 3"X10" S.A. LIFT RAM |
| LSSPP11472 | RH WING PLOW CYLINDER |
| LSSPP11473 | LH WING PLOW CYLINDER |
| LSSPP116102 | 1/2 CABLE CLAMP |
| LSSPP130581 | MODIFIED JAM NUT |
| LSSPP1325 | LIFT CHAIN ASSEMBLY |
| LSSPP1331 | REPAIR LINK |
| LSSPP13711 | BEARING, 1-1/4" |
| LSSPPD832 | CYLINDER, 2-1/2" X 10" |
| LSSPPD937 | CYLINDER, 3" X 10" |
| LSSPSP185H1 | MUSHROOM SHOE |

GOOD ROADS

| | |
|---------------|---------------------------|
| LSGR122 | RH NOSE PIECE |
| LSSP62100002 | NOSE PIECE |
| LSSP62100002L | NOSE PIECE |
| LSSP62100002R | SHOE |
| LSSP62100031 | SWIVEL BLOCK |
| LSSP62100031 | SWIVEL BLOCK |
| LSSP62100121 | RIVET PIN, 3/4" X 3-1/2" |
| LSSP62100124 | COMPLETE CASTER ASSY |
| LSSP62100127 | COMPLETE WHEEL ASSY |
| LSSP62100131 | OUTSIDE SPRING BOX SPRING |
| LSSP62100132 | INSIDE SPRING BOX SPRING |
| LSSP62100133 | SPRING BOX RECOIL SPRING |
| LSSP62100136 | TENSION ROD WELDMENT |

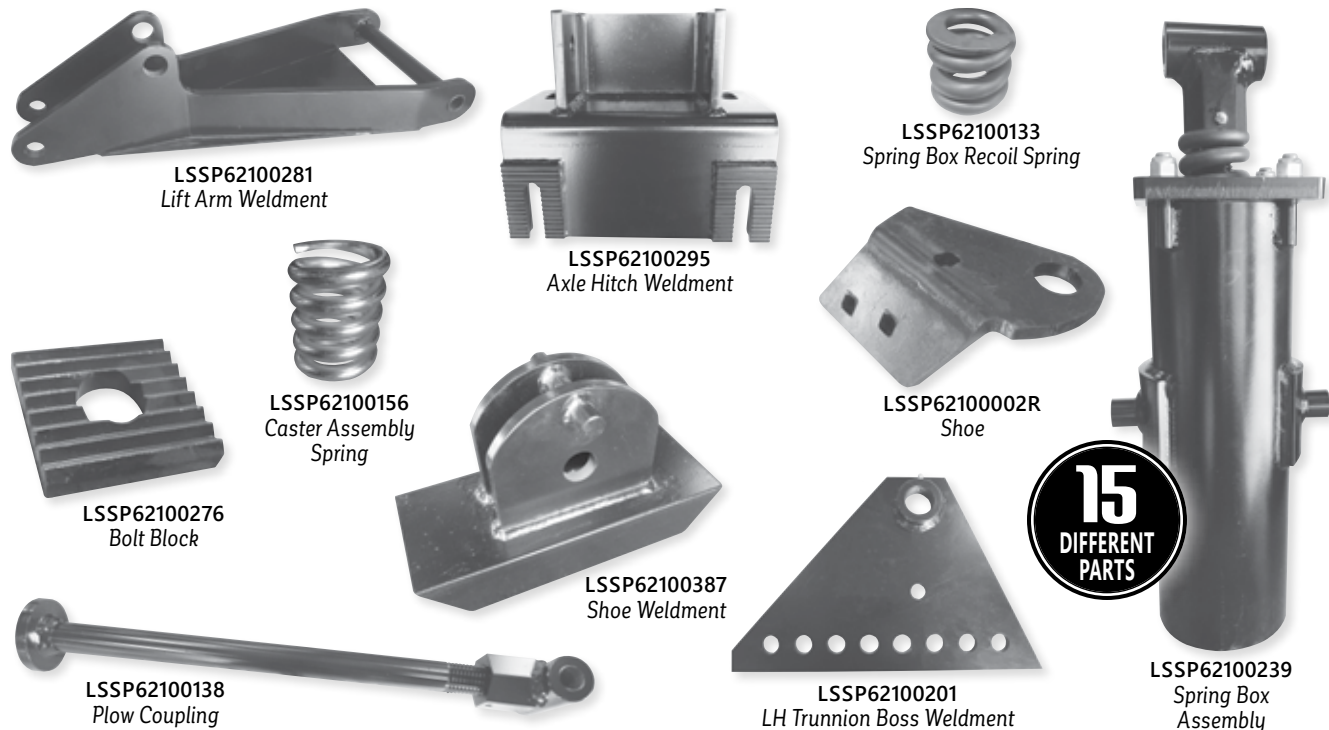
BEFORE BUYING ELSEWHERE, GET AN ABSOLUTELY FREE QUOTE FROM LACAL!

CONTACT US TODAY VIA PHONE 800.543.6161 or EMAIL SALES@LACAL.COM

ALL PARTS ARE GUARANTEED TO MEET WITH YOUR APPROVAL. Lecal Equipment, Inc. offers after-market parts for road and highway maintenance equipment. All original equipment manufacturer's names, drawings, colors and part numbers are used for identification purposes only. Lecal is in no way implying that any of our products are original equipment parts.

ALL PARTS ARE GUARANTEED TO MEET WITH YOUR APPROVAL. Lecal Equipment, Inc. offers after-market parts for road and highway maintenance equipment. All original equipment manufacturer's names, drawings, colors and part numbers are used for identification purposes only. Lecal is in no way implying that any of our products are original equipment parts.

THESE ARE JUST SOME OF OUR MOST REQUESTED PRODUCTS...



GOOD ROADS

| | |
|--------------|--------------------------------------|
| LSSP62100138 | PLOW COUPLING |
| LSSP62100145 | OUTSIDE TUBE WELDMENT |
| LSSP62100151 | HANDLE |
| LSSP62100153 | WHEEL SHAFT WELDMENT |
| LSSP62100156 | CASTER ASSEMBLY SPRING |
| LSSP62100157 | CASTER STEM WELDMENT |
| LSSP62100159 | ADJUSTING BOLT |
| LSSP62100199 | TRUNNION ASSEMBLY |
| LSSP62100200 | RH TRUNNION BOSS WELD |
| LSSP62100201 | LH TRUNNION BOSS WELD |
| LSSP62100204 | INSIDE TUBE ASSEMBLY |
| LSSP62100214 | RIVET PIN, 1" X 3" |
| LSSP62100216 | RIVET PIN, 1-1/4" X 6" |
| LSSP62100239 | SPRING BOX ASSEMBLY |
| LSSP62100240 | RIVET PIN, 3/4" X 5" |
| LSSP62100241 | LIFT CHAIN ASSEMBLY |
| LSSP62100242 | LIFT RING WELDMENT |
| LSSP62100248 | LH HINGE PLATE |
| LSSP62100249 | RH HINGE PLATE |
| LSSP62100250 | LH/RH HINGE PLATE |
| LSSP62100276 | BOLT BLOCK |
| LSSP62100281 | LIFT ARM WELDMENT |
| LSSP62100288 | ANGLE BOLT |
| LSSP62100289 | CLAMP PIN WELDMENT |
| LSSP62100292 | YOKE WELDMENT |
| LSSP62100295 | AXLE HITCH WELDMENT |
| LSSP62100344 | CYLINDER, 2" X 10" |
| LSSP62100383 | SINGLE-ACTING CYLINDER, 2-1/2" X 10" |

GOOD ROADS

| | |
|-----------------|---------------------------------------|
| LSSP62100386 | POST ASSY W/SKID SHOE |
| LSSP62100387 | SHOE WELDMENT |
| LSSP62100728 | PUSHFRAME ASSY, 42" |
| LSSP62100729 | PUSHFRAME WELD, 42" |
| LSSP62100744 | LATCH SPRING ASSEMBLY |
| LSSP62100749 | REAR CHANNEL WELDMENT |
| LSSP62101007 | SINGLE-ACTING CYLINDER, 3" X 10" |
| LSSP62102064 | JACK MODIFICATION |
| LSSP62102068 | MOUNTING ANGLE |
| LSSP62103921 | SKIRT |
| LSSP62103921WHD | HD SKIRT WELDMENT, 18-GAUGE |
| LSSP62106005 | IDLER SHAFT WELDMENT |
| LSSP62107558 | TAKE-UP PLATE WELDMENT |
| LSSP62107755 | SIDE DEFLECTOR FLAP WELD |
| LSSP62107768 | DOOR WELDMENT |
| LSSP667X152076A | CHAIN ASSEMBLY, 22.50CC, .25" X 1.50" |
| LSSP667X8TH150 | SPROCKET 667X 8TH 1-1/2, 3/8KW |
| LSSP90690075 | BEARING |
| LSSP94813077 | HYDRAULIC MOTOR |
| LSSP94813079 | HYDRAULIC MOTOR |
| LSSP95210489 | FLANGE NUT |
| LSSP99806239 | DOUBLE-ACTING CYLINDER, 3" X 10" |
| LSSP99806314 | BEARING |
| LSSPGR122 | NOSE PIECE |
| LSSPGR137 | SHOE |
| LSSPGR1PP0022 | NOSE PIECE |
| LSSPGR1PP0037 | SHOE |

GOOD ROADS

| | |
|---------------|------------|
| LSSPP99806487 | BEARING |
| LSSPV4349G1 | NOSE PIECE |
| LSSPV4349L | SHOE |

HENDERSON

| | |
|---------------|-------------------------|
| LSSP02386 | BOLT |
| LSSP02386304 | BOLT |
| LSSP02386304A | SCREW |
| LSSP10927 | HYDRAULIC MOTOR |
| LSSP110335 | 12" EXTENDED CHUTE ASSY |
| LSSP118405 | REAR DRIVE SHAFT |
| LSSP1390088 | SHAFT ROD |
| LSSP60797 | SPINNER |
| LSSP61130 | IDLER FRAME |
| LSSP74366 | CCW POLY SPINNER, 20" |
| LSSP74453 | HYDRAULIC MOTOR |
| LSSP75447 | TOP HOLD DOWN CLAMP |
| LSSP75979 | 12" EXTENDED CHUTE ASSY |
| LSSP76560409 | NUT & WASHER |
| LSSP84573 | IDLER SHAFT |
| LSSP86744 | HUB |
| LSSPE3590 | OUTPUT SHAFT |

HENKE

| | |
|---------------|-------------------------|
| LSSP13001560 | EST SHAFT END |
| LSSP1900A0062 | YOKE ASSEMBLY, 4.80 X 8 |
| LSSP1990019 | CRANK WELDMENT |
| LSSP1990041 | ACME SCREW ASSEMBLY |
| LSSP1990062 | YOKE ASSEMBLY, 4.80 X 8 |
| LSSP1990065 | ACME SCREW ASSEMBLY |
| LSSP1990376 | OUTER TUBE WELDMENT |
| LSSP1990411 | RUNNER 1X6 HI-TOP |



LACAL HAS MANY MORE ITEMS AVAILABLE – JUST ASK!



HENKE

| | |
|----------------|-------------------------|
| LSSP2100A0246 | INNER PUSH BEAM WELD |
| LSSP4300037 | LONG SPRING SHAFT |
| LSSP4390013 | SPRING RETAIN PCL PLOW |
| LSSP4390015 | LOCK ASSEMBLY, PCL PLOW |
| LSSP4390017 | STAB BAR PIN PCL PLOW |
| LSSP4390042 | A-FRAME OH LL |
| LSSP7140001 | MUSHROOM SHOE, 2-BOLT |
| LSSP7140011 | RUNNER 1X6 HI-TOP |
| LSSPA1900A65 | ACME SCREW ASSEMBLY |
| LSSPA2100A0258 | OUTER TUBE WELDMENT |

HI-WAY

| | |
|-----------|---------------------|
| LSSP11775 | SPROCKET |
| LSSP22563 | FLANGE BEARING |
| LSSP23742 | SPROCKET |
| LSSP26651 | SHAFT |
| LSSP26688 | SPROCKET |
| LSSP2696 | SET COLLAR |
| LSSP32979 | SPINNER HUB |
| LSSP6299 | SHEAR PIN |
| LSSP6465 | BEARING, 4-BOLT, 2" |

MEYER

| | |
|-------------|-------------------------|
| LSSP07006 | SHOE RUNNER |
| LSSP08184 | BOLT & NUT KIT, 9 EACH |
| LSSP08184G8 | BOLT KIT, GRADE 8 |
| LSSP08318 | BOLT & NUT KIT, 12 EACH |
| LSSP08486 | BOLT & NUT KIT, 6 EACH |
| LSSP09126 | RUNNER/SPINDLE ASSY |
| LSSP60295 | HYDRAULIC MOTOR |
| LSSP61353 | HYDRAULIC MOTOR |
| LSSPM08184 | BOLT KIT |

WAIT... I DON'T SEE THE PART I NEED!
 Call 800.543.6161 to access our entire inventory of parts. This catalog is only a portion of the quality replacement parts that Lacal Equipment offers!

MEYER

| | |
|--------------|---------------------------|
| LSSPM09916 | BLADE MARKER PAIR, YELLOW |
| RP1/2X4X096M | RETAINER PLATE, 96" |
| RP1/2X6X096M | RETAINER PLATE |
| RP3/8X5X078M | RETAINER, S "2 METER" |
| RP3/8X5X090M | RETAINER, S STANDARD |

MONROE

| | |
|----------------|---------------------------|
| LSSP00041156A | STABILIZER ROD WELDMENT |
| LSSP00051021 | JACK ASSY ROD, ACME THD |
| LSSP00051203 | ADJUSTMENT HANDLE WELD |
| LSSP00052867 | SKID SHOE W/JACK KIT PAIR |
| LSSP00146626 | AUGER |
| LSSP05006445 | HYDRAULIC MOTOR |
| LSSP05006556 | HYDRAULIC MOTOR |
| LSSP05022074 | SAFETY CLIP |
| LSSP05050000 | CURB GUARD |
| LSSP5000003000 | PLATE |

ROOT

| | |
|------------|-------------------|
| LSSP122000 | CYLINDER MAIN ROD |
| LSSP12205 | DOUBLE SPRING ROD |

ROOT

| | |
|------------|---------------------|
| LSSP12225 | SPRING RETAINER |
| LSSP12445 | CASTER HOUSING WELD |
| LSSP12500 | AXLE SHAFT BOLT KIT |
| LSSP12510 | SKID SHOE |
| LSSP125100 | SKID SHOE |
| LSSP125650 | SKID SHOE |
| LSSP12595 | CASTER ASSEMBLY |

SWENSON

| | |
|-----------------|------------------------|
| LSSP0000243401 | HYDRAULIC MOTOR |
| LSSP0010056900 | FRONT-IDLER SHAFT |
| LSSP0010066700 | IDLER SHAFT, 9TH SPRKT |
| LSSP0010118000 | DRIVE SPROCKET, 9 TH |
| LSSP0010118100 | IDLER SPROCKET, 9 TH |
| LSSP0010156100 | THREADED ROD |
| LSSP0010156100A | THREADED ROD |
| LSSP0010518100 | CROSS CHANNEL |
| LSSP0010533700 | BAFFLE WELDMENT |
| LSSP0010539400 | ROD |
| LSSP0010539401 | SSHINGE ROD |
| LSSP0010602203 | INVERTED 'V' WELDMENT |
| LSSP0010632100 | AUGER INSERT, 2" |
| LSSP0010638100 | SS EV SPINNER WELDMENT |
| LSSP0010718000 | COUPLING FLANGE |
| LSSP0010825401 | AUGER |
| LSSP0010848200 | DIRECT DRIVE ADAPTER |
| LSSP0010894200 | SS EXTENSION WELDMENT |
| LSSP0010942801 | SS BATTERY CASE WELD |
| LSSP0010944700 | SPINNER DISK |
| LSSP0010963601 | SS NOZZLE HOLDER |
| LSSP0010963701 | SS CHUTE SHIELD |

BEFORE BUYING ELSEWHERE, GET AN ABSOLUTELY FREE QUOTE FROM LACAL!

CONTACT US TODAY VIA PHONE 800.543.6161 or EMAIL SALES@LACAL.COM

ALL PARTS ARE GUARANTEED TO MEET WITH YOUR APPROVAL. Lacal Equipment, Inc. offers after-market parts for road and highway maintenance equipment. All original equipment manufacturer's names, drawings, colors and part numbers are used for identification purposes only. Lacal is in no way implying that any of our products are original equipment parts.

ALL PARTS ARE GUARANTEED TO MEET WITH YOUR APPROVAL. Lacal Equipment, Inc. offers after-market parts for road and highway maintenance equipment. All original equipment manufacturer's names, drawings, colors and part numbers are used for identification purposes only. Lacal is in no way implying that any of our products are original equipment parts.

THESE ARE JUST SOME OF OUR MOST REQUESTED PRODUCTS...



SWENSON

| | |
|----------------|----------------------------------|
| LSSP0010979400 | SIDE PLATE 2-PIPE DETACH BRACKET |
| LSSP0011117700 | AUGER WELDMENT |
| LSSP0011118301 | FLOW-COVER, -S3,(LONG) |
| LSSP0011129300 | DRIVE SLEEVE |
| LSSP0011129400 | AUGER INSERT |
| LSSP0011170800 | SS ENGINE SHROUD WELD |
| LSSP0011185901 | TOP SCREEN, 41.25" X 33.25" |
| LSSP0011186001 | TOP SCREEN, 41.25" X 45.25" |
| LSSP0011197502 | SS FLOW COVER, SHORT |
| LSSP0011585200 | PUMP BOX LID |
| LSSP0011591700 | CHANNEL |
| LSSP0011592401 | SS PUMP MOUNT BRACKET |
| LSSP0011594500 | TOP SUPPORT WELDMENT |
| LSSP0011594703 | ROD, STRAP, 135-GAL. |
| LSSP0011614304 | TANK STOP ANGLE |
| LSSP0011776500 | TANK PAN SPACER |
| LSSP0400800100 | BUSHING |
| LSSP0403804101 | COUPLER |
| LSSP0408000300 | BEARING, 1-1/4", 4-BOLT |
| LSSP0408000400 | BEARING, 1-1/2", 2 BOLT |
| LSSP0408600500 | WIPER BLADE |
| LSSP0408601000 | WIPER |
| LSSP0409102300 | COMPRESSION SPRING |
| LSSP0410103500 | HYD SPINNER MOTOR |
| LSSP0410103600 | AUGER MOTOR |
| LSSP0410104200 | HYDRAULIC MOTOR |
| LSSP0410109400 | HYDRO WHEEL MOTOR |
| LSSP0410112500 | HYDRAULIC MOTOR |
| LSSP0413200406 | SPACER |
| LSSP0413206213 | OUTPUT SHAFT |
| LSSP0413206315 | OUTPUT SHAFT |

SWENSON

| | |
|----------------|-------------------------|
| LSSP0413206336 | INPUT SHAFT |
| LSSP0462200200 | CCW POLY SPINNER, 18" |
| LSSP0600800000 | SPINNER DISC, 18" |
| LSSP0601200100 | SPINNER HUB |
| LSSP0601200300 | SPINNER HUB |
| LSSP0602200300 | DRIVE SPROCKET, 1-1/2" |
| LSSP0604300100 | SPINNER-SHIELD, -RH /LH |
| LSSP0607000300 | HINGE PIN |
| LSSP0953600000 | PUMP SPACER |

TORWEL

| | |
|---------------|-----------------------|
| LSSPT13010524 | IDLER SHAFT, 1" X 28" |
| LSSPT140102 | CONVEYOR CHAIN |

VALK

| | |
|-------------|-----------------------------|
| LSSP80094 | FRONT SKID SHOE |
| LSSPBH2508 | YOKE |
| LSSPKS572 | SPECIAL SKID SHOE, 6" X 15" |
| LSSPOR527 | CYLINDER ROD |
| LSSPOR540 | CASTER WHEEL AXLE, 1" DIA. |
| LSSPOR572 | SKID SHOE |
| LSSPPFPR672 | COMPRESSION SPRING BOLT |
| LSSPPFPR676 | BACK CHANNEL |
| LSSPQH1 | QUICK ROD |
| LSSPR619 | MOLDBOARD SHOE |
| LSSPVG11011 | TRIP EDGE, 11-FT. |

VIKING

| | |
|--------------|-------------------------|
| LSSP001161 | ADJUSTABLE SHOE BRACKET |
| LSSP002225 | HANDLE ASSEMBLY |
| LSSP005730 | OUTER TUBE WELDMENT |
| LSSP00800024 | BRACKET |

VIKING

| | |
|---------------|-------------------------------|
| LSSP00800025 | STRUT WELDMENT |
| LSSP008133 | INNER TUBE WELDMENT |
| LSSP008135 | ADJUSTING SCREW |
| LSSP008151 | CENTER BAR WELDMENT |
| LSSP0M026 | WING BOLT, 1-1/2" X 6" |
| LSSP10703007 | FRONT MAST STD. HINGE, 5-DEG. |
| LSSP10715006 | WING BOLT, 1-1/2" X 6" |
| LSSP11101003 | COMPLETE TRIP SPRING ASSEMBLY |
| LSSP11103015 | CENTER BAR WELDMENT |
| LSSP11103016 | LINK WELDMENT |
| LSSP11110013 | STOP BLOCK |
| LSSP200179592 | REVERSIBLE CURB SHOE |
| LSSP80010 | PLOW SHOE |
| LSSP80590 | THRUST BEARING |
| LSSPOR372X | STOP BLOCK |

WARREN

| | |
|---------------|-------------------------|
| LSSP20006117 | SHAFT-IDLER |
| LSSP20016501 | SPINNER COUPLER |
| LSSP2420A | AC-2420A-E/AC-2420A PAR |
| LSSP30030023 | SHAFT SPINNER |
| LSSP300300904 | DRIVE SHAFT |
| LSSP30030169 | SHAFT-IDLER |
| LSSP40030013 | HYDRAULIC MOTOR |
| LSSP70030074 | AUGER |

PART NOT LISTED? WE HAVE HUNDREDS OF ADDITIONAL PARTS AVAILABLE FOR YOUR MACHINE. CALL 800.543-6161 TODAY!

LACAL HAS MANY MORE ITEMS AVAILABLE – JUST ASK!



WAUSAU

| | |
|---------------|----------------------------|
| LSSP29351 | 5/8" BOLT KIT |
| LSSP2A00244 | SKID SHOE & POST ASSY |
| LSSP2A00251 | ADJUSTER SCREW |
| LSSP2A00251A | THREADED ROD |
| LSSP2A00251B | THRUST COLLAR |
| LSSP2P000227 | SHOE |
| LSSP2P00227 | SKID SHOE |
| LSSP2P00259 | COMPRESSION SPRING |
| LSSP2P00261 | ADJUSTER SCREW CRANK |
| LSSP2P00262 | PIVOT |
| LSSP2P00386 | PIN |
| LSSP2W00212 | PLOW SHOE W/O HARD-FACE |
| LSSP2W00212B | MOUNTING EAR |
| LSSP2W00212HS | PLOW SHOE W/HARD-FACE |
| LSSP2W00245 | PIVOT CONNECTION |
| LSSP2W00250 | HOUSING INNER TUBE |
| LSSP2W00254 | HOUSING OUTER TUBE |
| LSSP2W00257 | JAM NUT WELDMENT |
| LSSP2W05340 | SKID SHOE |
| LSSP2W12756 | TRIP EDGE WELDMENT, 10-FT. |
| LSSP2W12918 | TRIP EDGE WELDMENT, 11-FT. |
| LSSP2W13506 | BACK PLATE WELDMENT |
| LSSP2W13508 | UPPER A-FRAME WELDMENT |
| LSSP2W13509 | LOWER A-FRAME WELDMENT |
| LSSP2W14276 | MOLDBOARD WELD, 10-FT. |
| LSSP2W14366 | MOLDBOARD WELD, 11-FT. |
| LSSPW4W06409 | LIFT ARM WELDMENT |

WESTERN

| | |
|----------------|-------------------------------|
| LSS025209 | OLD STYLE ANGLE, 1-1/2" X 10" |
| LSSP1304420HDW | PIVOT BOLT KIT |

WESTERN

| | |
|-------------|-------------------------------|
| LSSP23039 | TRIP SPRING |
| LSSP25200 | LIFT CYLINDER, 1-1/2" X 6" |
| LSSP25210 | LIFT CYLINDER, 2" X 6" |
| LSSP442771 | MVP PRO PLUS WIDEOUT SHOE KIT |
| LSSP442851 | CUTTING EDGE KIT |
| LSSP49067 | STANDARD SKID SHOE ASSY |
| LSSP49071 | HD SKID SHOE ASSEMBLY |
| LSSP49230 | COIL W/SPADE TERMINAL |
| LSSP56058 | MOTOR, 4-1/2" |
| LSSP56133 | MOTOR, 4-1/2" |
| LSSP56709 | DOUBLE-ACTING ANGLE, 2" X 10" |
| LSSP58734 | PLOW LIFT ARM |
| LSSP60825 | RUBBER CUTTING EDGE, 7.5-FT. |
| LSSP62504 | BOLT KIT |
| LSSP62504G8 | HD BOLT KIT |
| LSSP62556 | RUBBER CUTTING EDGE, 9-FT. |
| LSSP66812 | PIVOT PIN KIT |
| LSSP67855 | PIVOT BOLT KIT |
| LSSP90132 | BLADE PIVOT KIT |
| LSSP95277 | HYDRAULIC MOTOR |
| LSSPW1524 | BOLT KIT, 12 PCS. |

UNIVERSAL

| | |
|----------|--------------------------------------|
| LSSP6301 | POLY PLOW MARKERS WITHOUT CABLE, 12" |
| LSSP6302 | POLY PLOW MARKERS WITHOUT CABLE, 24" |
| LSSP6303 | POLY PLOW MARKERS WITHOUT CABLE, 28" |

UNIVERSAL

| | |
|------------------|--------------------------------------|
| LSSP6304 | POLY PLOW MARKERS WITHOUT CABLE, 36" |
| LSSP6305 | POLY PLOW MARKERS WITHOUT CABLE, 48" |
| LSSP6306 | POLY PLOW MARKERS WITH CABLE, 12" |
| LSSP6307 | POLY PLOW MARKERS WITH CABLE, 24" |
| LSSP6308 | POLY PLOW MARKERS WITH CABLE, 28" |
| LSSP6309 | POLY PLOW MARKERS WITH CABLE, 36" |
| LSSP6310 | POLY PLOW MARKERS WITH CABLE, 48" |
| LSSPAWP1W6 | BLADE SAVER SHOE, 6" |
| LSSPAWP1W8 | BLADE SAVER SHOE, 8" |
| LSSPAWP4V | SKID SHOE CASTING, 2" WIDE EAR |
| LSSPAWPRR12 | MUSHROOM SHOE, 12" RND |
| LSSPBB1PP0616 | HD CURB SHOE, 5/8" X 6" |
| LSSPBB1PP0617 | HD CURB SHOE, 5/8" X 8" |
| LSSPBP128100CL | LH CURB GUARD, 8" |
| LSSPBP128100CRRH | CRB GUARD, 8" |
| LSSPBP128100S | STRAIGHT CARBIDE GUARD, 8" |
| LSSP12STR | POLY SPINNER, 12" STRAIGHT FIN |
| LSSPHU18 | SPINNER HUB WITH KWY. & THRU HOLE |

DON'T MISS OUR SNOW PLOW BLADE SELECTION BEGINNING ON PAGE 8.

BEFORE BUYING ELSEWHERE, GET AN ABSOLUTELY FREE QUOTE FROM LACAL!

CONTACT US TODAY VIA PHONE 800.543.6161 or EMAIL SALES@LACAL.COM

SWEEPER RECONDITIONING



SCHWARZE A4000 - BEFORE

Lacal Equipment has become an industry leader in reconditioning all makes and models of street and parking lot sweepers for governments and contractors alike, in addition to being an aftermarket manufacturer of high-quality replacement parts. We have reconditioned many models of the well-known brands including Elgin™, Johnston™, Mobil™, Schwarze™, Tymco™ and others. Our modern facility is equipped with state-of-the-art engineering tools, machine and fab shops, powder coat paint system and a knowledgeable parts department to handle those needs as well.

Whether you need something small – like simply replacing a pickup head on a parking lot vacuum sweeper – to something much larger – like a complete rebuild – our skilled technicians have the technical data necessary to do a



BEFORE BUYING ELSEWHERE, GET AN ABSOLUTELY FREE QUOTE FROM LACAL!

ALL PARTS ARE GUARANTEED TO MEET WITH YOUR APPROVAL. Lacal Equipment, Inc. offers after-market parts for road and highway maintenance equipment. All original equipment manufacturer's names, drawings, colors and part numbers are used for identification purposes only. Lacal is in no way implying that any of our products are original equipment parts.

SWEEPER RECONDITIONING



SCHWARZE A4000 - AFTER

first-class job on your sweeper. We will take your sweeper down to the bare frame and replace or recondition components as needed.

Lacal can improve your sweeper's performance and extend its service life for much less than buying brand new equipment, just like we did for the Schwarze A4000 shown above. We will work with you and your budget to maximize impact and get you back on the road with some money left in your pocket.

We're always looking for a new challenge here at Lacal, so think of us when you can't imagine spending another frustrating year continuously patching your trusty sweeper. We'll take good care of your machine and return it to its former glory before you have time to miss it!



CONTACT US TODAY VIA PHONE 800.543.6161 or EMAIL SALES@LACAL.COM

ALL PARTS ARE GUARANTEED TO MEET WITH YOUR APPROVAL. Lacal Equipment, Inc. offers after-market parts for road and highway maintenance equipment. All original equipment manufacturer's names, drawings, colors and part numbers are used for identification purposes only. Lacal is in no way implying that any of our products are original equipment parts.

SWEEPER RECONDITIONING



ELGIN BROOM BEAR



MOBIL M9D



TYMCO 210



SCHWARZE M6000



SWEEPER RECONDITIONING



TYMCO 600



SCHWARZE A4000



Completed sweeper reconditioning projects include these models:

- CHALLENGER**
- ELGIN** AIR CUB, BROOM BADGER, BROOM BEAR, CROSSWIND J, EAGLE, PELICAN NP/P/S/SE, WHIRLWIND MV
- JOHNSTON** 4000, 605
- MOBIL** M9D, M9E
- NITEHAWK** RAPTOR
- SCHWARZE** A4000, A7000, M5000, M6 AVALANCHE, M6000
- STEWART-AMOS** STARFIRE S-4
- SWEEPRITE** HUSKY
- TYMCO** 210, 435, 500X, 600, DST-6, FHD

But I Have A Different Sweeper Brand – Can You Still Work On It?

We have worked with many different brands and models, and we'll be happy to work with you!

BEFORE BUYING ELSEWHERE, GET AN ABSOLUTELY FREE QUOTE FROM LACAL!

ALL PARTS ARE GUARANTEED TO MEET WITH YOUR APPROVAL. Local Equipment, Inc. offers after-market parts for road and highway maintenance equipment. All original equipment manufacturer's names, drawings, colors and part numbers are used for identification purposes only. Local is in no way implying that any of our products are original equipment parts.

CONTACT US TODAY VIA PHONE 800.543.6161 or EMAIL SALES@LACAL.COM

ALL PARTS ARE GUARANTEED TO MEET WITH YOUR APPROVAL. Local Equipment, Inc. offers after-market parts for road and highway maintenance equipment. All original equipment manufacturer's names, drawings, colors and part numbers are used for identification purposes only. Local is in no way implying that any of our products are original equipment parts.

THESE ARE JUST SOME OF OUR MOST REQUESTED PRODUCTS...

CHOOSE OUR PRE-ASSEMBLED PARTS

Save your sanity and let the professionals put all the components together. You receive a whole system, delivered direct to you and ready to attach upon arrival. While looking through our catalog, watch for the word "Assembly" (or the abbreviation "Assy") to take advantage of this time-saving option. Here are just a few examples of what is available in our Sweeper category:

14
DIFFERENT PARTS

DIRT SHOES




LS1016942
for Elgin

TOP SELLER

BLOWER HOUSINGS & IMPELLERS

TOP SELLER

49
DIFFERENT PARTS

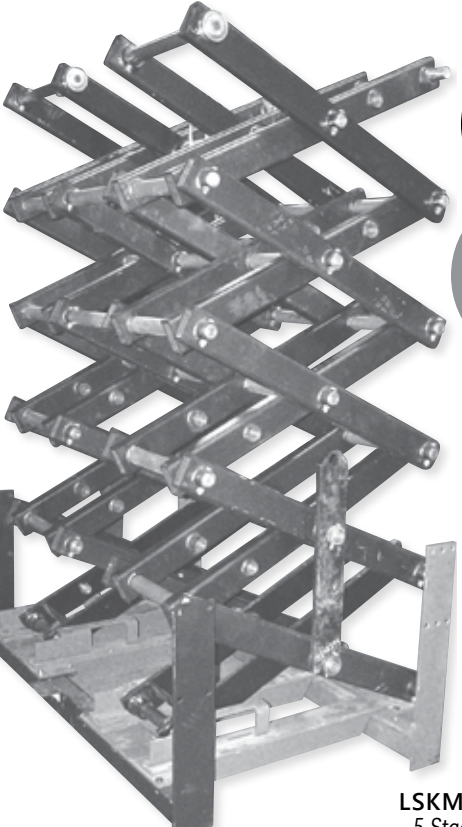


LS1058808 & LS1118852
for Elgin Crosswind J

SCISSOR LIFTS

35
DIFFERENT PARTS

448
SEPARATE PIECES



LSKM9B5STASSY2
5-Stage for Mobil 9B

24
DIFFERENT PARTS

LSELCGBHIASSY
for Elgin Crosswind G



LS5044912505023
for Tymco 210 SRE (Lined)

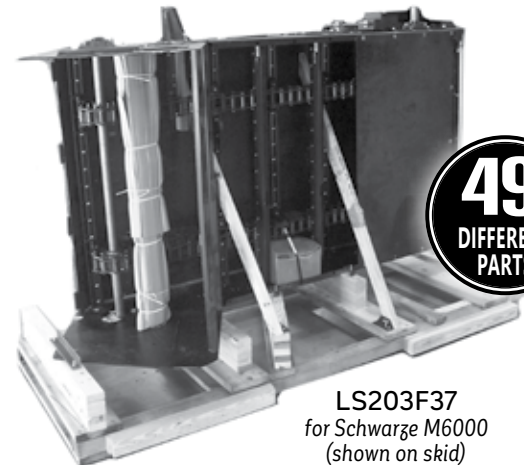


LACAL HAS MANY MORE ITEMS AVAILABLE – JUST ASK!

TO SAVE YOURSELF TIME AND MONEY

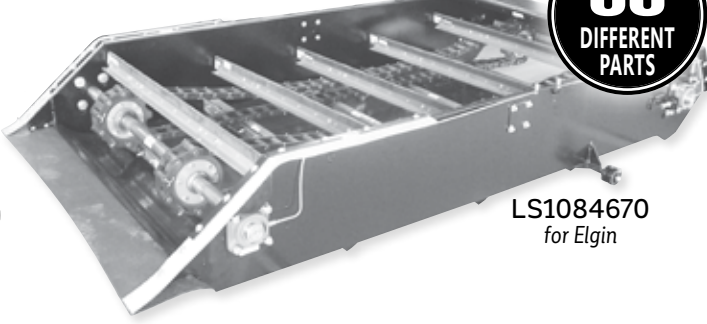
ELEVATOR FRAMES

66
DIFFERENT PARTS




LS203F37
for Schwärze M6000 (shown on skid)

49
DIFFERENT PARTS



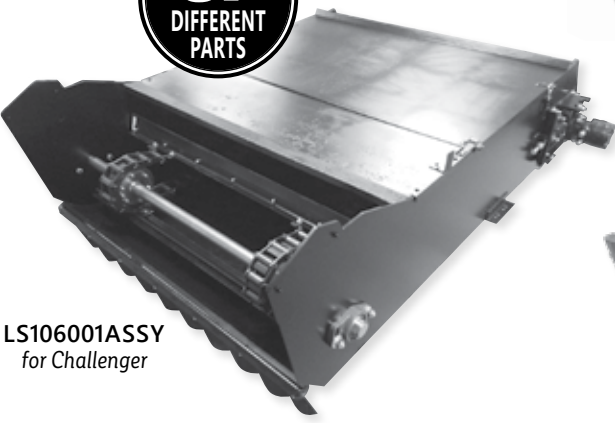
LS1084670
for Elgin

53
DIFFERENT PARTS



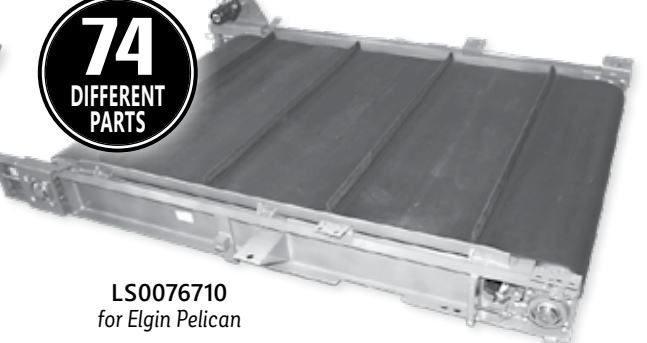
LSSCHM5ELASSY
for Schwärze M5000

57
DIFFERENT PARTS



LS106001ASSY
for Challenger

74
DIFFERENT PARTS



LS0076710
for Elgin Pelican

SUCTION NOZZLES

81
DIFFERENT PARTS



LS1064251
RH Suction Nozzle Assembly for Elgin Geovac

80
DIFFERENT PARTS



LS1064784
RH Suction Nozzle Assembly for Elgin Whirlwind

TOP SELLER

BEFORE BUYING ELSEWHERE, GET AN ABSOLUTELY FREE QUOTE FROM LACAL!

CONTACT US TODAY VIA PHONE 800.543.6161 or EMAIL SALES@LACAL.COM

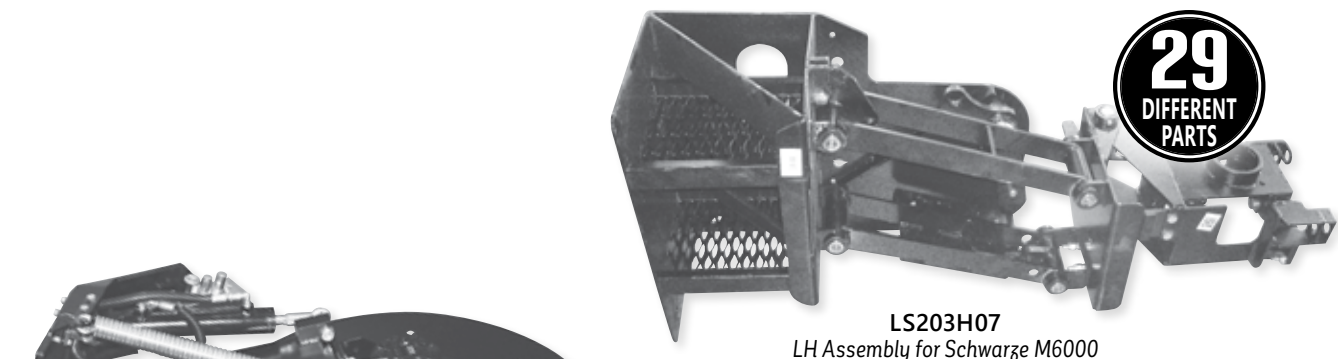
ALL PARTS ARE GUARANTEED TO MEET WITH YOUR APPROVAL. Local Equipment, Inc. offers after-market parts for road and highway maintenance equipment. All original equipment manufacturer's names, drawings, colors and part numbers are used for identification purposes only. Local is in no way implying that any of our products are original equipment parts.

ALL PARTS ARE GUARANTEED TO MEET WITH YOUR APPROVAL. Local Equipment, Inc. offers after-market parts for road and highway maintenance equipment. All original equipment manufacturer's names, drawings, colors and part numbers are used for identification purposes only. Local is in no way implying that any of our products are original equipment parts.

THESE ARE JUST SOME OF OUR MOST REQUESTED PRODUCTS...

CHOOSE OUR PRE-ASSEMBLED PARTS

Save your sanity and let the professionals put all the components together. You receive a whole system, delivered direct to you and ready to attach upon arrival. While looking through our catalog, watch for the word "Assembly" (or the abbreviation "Assy") to take advantage of this time-saving option. Here are just a few examples of what is available in our Sweeper category:



29
DIFFERENT PARTS

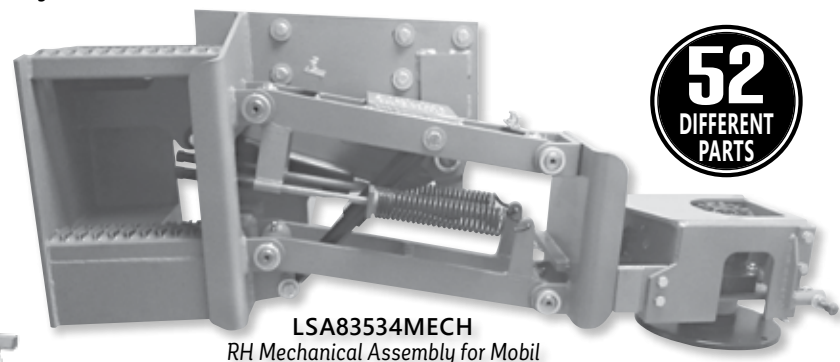
LS203H07
LH Assembly for Schwarze M6000



19
DIFFERENT PARTS

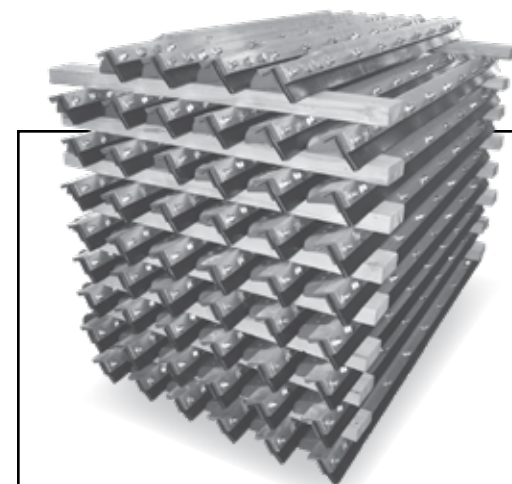
LS503434 OR LS506552
LH Assembly for Tymco 600

GUTTER BROOMS



52
DIFFERENT PARTS

LSA83534MECH
RH Mechanical Assembly for Mobil



FLIGHT ASSEMBLIES

TOP SELLER

LS310948
for Johnston Global

48
SEPARATE PIECES

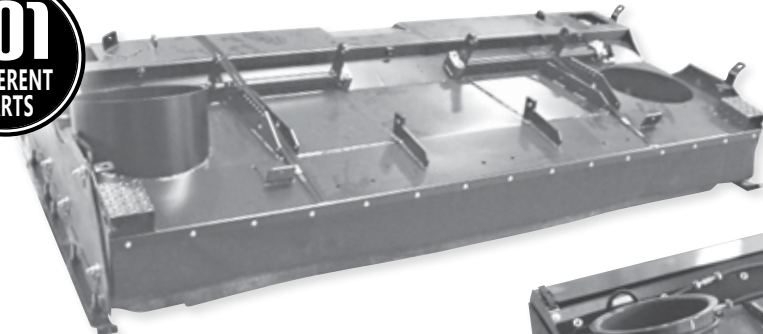
11
DIFFERENT PARTS



LACAL HAS MANY MORE ITEMS AVAILABLE – JUST ASK!

TO SAVE YOURSELF TIME AND MONEY

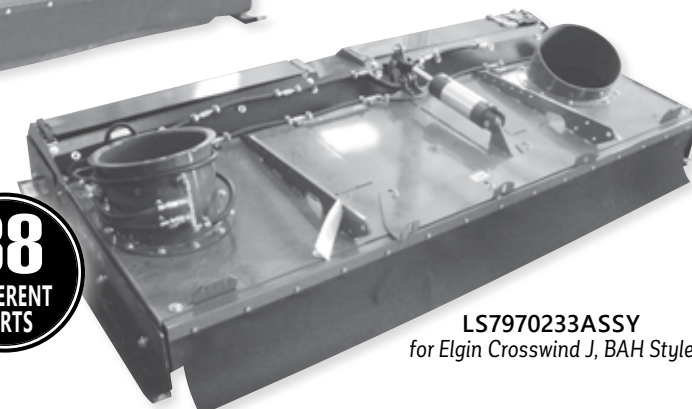
101
DIFFERENT PARTS



LS502470ASSY
for Tymco 600 BAH

PICKUP HEADS

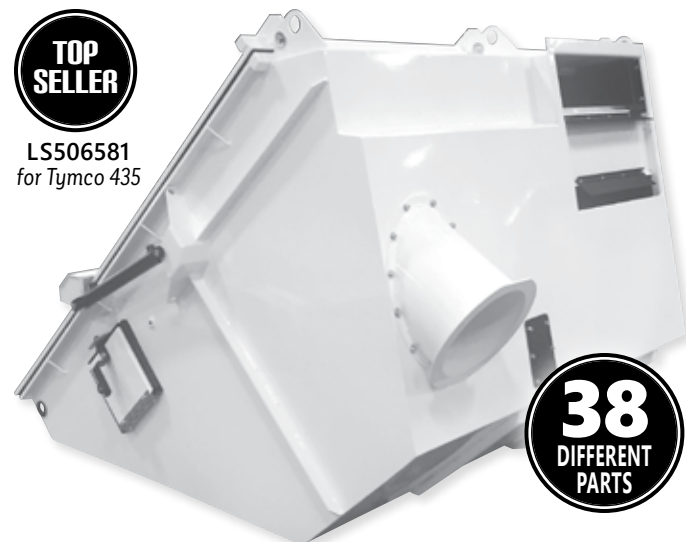
88
DIFFERENT PARTS



LS7970233ASSY
for Elgin Crosswind J, BAH Style

TOP SELLER

LS506581
for Tymco 435



38
DIFFERENT PARTS



LS1043801
for Elgin Pelican

22
DIFFERENT PARTS

17
DIFFERENT PARTS



LS522328ASSY
for Schwarze A4000

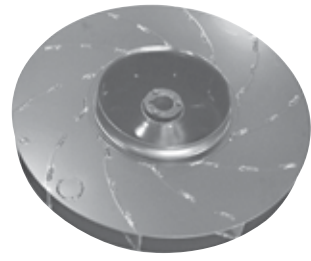
DIRT HOPPERS

BEFORE BUYING ELSEWHERE, GET AN ABSOLUTELY FREE QUOTE FROM LACAL!

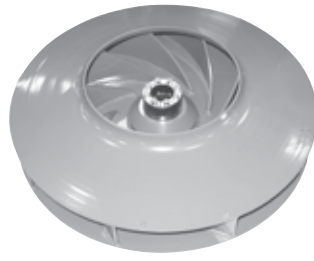
CONTACT US TODAY VIA PHONE 800.543.6161 or EMAIL SALES@LACAL.COM

THESE ARE JUST SOME OF OUR MOST REQUESTED PRODUCTS...

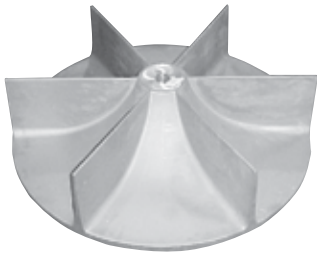
IMPELLERS



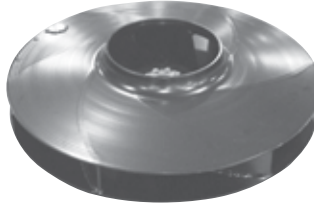
LS522339T
for *Schwarze A7000/A8000*



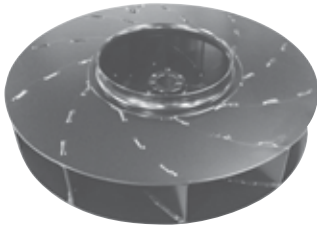
LS1078765
for *Elgin Crosswind J*



LS5010933
for *Tymco 600*



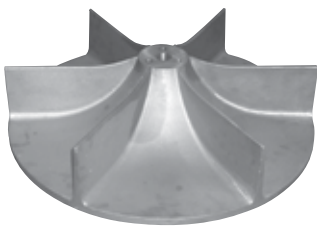
LS1059047
for *Elgin Crosswind G & GE*



LS523707
for *Schwarze A7000/A8000/A9000*



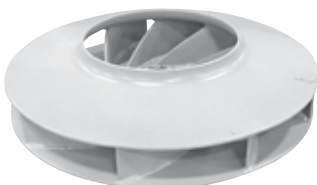
LS5011626
for *Tymco 210/300/350 (Coated)*



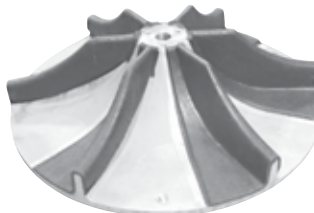
LS5011165
for *Tymco 210/300/350*



LS522319
for *Schwarze 347/348/A4000*



LS1081469
for *Elgin Whirlwind MV*



LS5017256
for *Tymco 210/435 SRE (Coated)*

ELGIN STYLE

- LS1031978 CROSSWIND "G" & "GE" IMPELLER
- LS1054513 CROSSWIND "J" IMPELLER
- LS1058387 GEOVAC IMPELLER W/HUB
- LS1059047 CROSSWIND "G" & "GE" IMPELLER, PLAIN
- LS1061907 CROSSWIND "G" & "GE" IMPELLER, COATED
- LS1064431 WHIRLWIND MV BALANCED IMPELLER
- LS1078765 CROSSWIND "J" IMPELLER
- LS1081469 WHIRLWIND MV BALANCED IMPELLER
- LS1081530 IMPELLER
- LS5715203 AIR CUB 30" REVERSE CURVE FAN W/BUSHING

JOHNSTON STYLE

- LS2808301SP IMPELLER & SECURING KIT

SCHWARZE STYLE

- LS520673 A7000 STANDARD IMPELLER
- LS520804 343/344 STANDARD IMPELLER, 28"
- LS521328 340/347/348 STANDARD IMPELLER, 30"
- LS521951 347/348/A3000 STANDARD IMPELLER
- LS522319 347/348/A4000 WHISPER IMPELLER, 30"
- LS522339T A7000/A8000 WHISPER IMPELLER W/ BUSHING
- LS522372 347 WHISPER REVERSE CURVE IMPELLER, 28"
- LS523214 S333-SE IMPELLER, 28"
- LS523314 A7000 REVERSE CURVE IMPELLER, 32.75" X 5"
- LS523707 A7000/A8000/A9000 IMPELLER, 32.75" X 5"

TYMCO STYLE

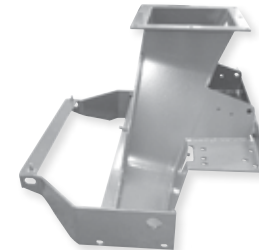
- LS500765 600 PLAIN BLOWER KIT, UNASSEMBLED
- LS500765A 600 PLAIN BLOWER KIT, ASSEMBLED
- LS5010933 600 PLAIN IMPELLER, 6-FIN
- LS5010206 210/300/350 PLAIN IMPELLER, 5-FIN
- LS5010933 600 UNCOATED IMPELLER, 6-FIN
- LS5011165 210/300/350 PLAIN IMPELLER, 6-FIN
- LS5011625 600 COATED IMPELLER, 6-FIN
- LS5011626 210/300/350 COATED IMPELLER, 6-FIN
- LS5011627 210/300/350 COATED IMPELLER, 5-FIN
- LS501513 600 COATED BLOWER KIT, UNASSEMBLED
- LS501513A 600 COATED BLOWER KIT, ASSEMBLED
- LS5017256 210/435 SRE COATED IMPELLER, 6-FIN
- LS504161 600 COATED BLOWER KIT
- LS504166 600 PLAIN BLOWER KIT
- LS504491 210 COATED IMPELLER BLOWER KIT
- LS8010313 500X/600 FHD COATED IMPELLER

LACAL HAS MANY MORE ITEMS AVAILABLE – JUST ASK!

PICKUP HEADS

FOR ELGIN

- LS0054263 PICKUP HEAD WITH CENTER BROOM SUB-ASSEMBLY
- LS0058809 CROSSWIND J PICKUP HEAD ASSEMBLY
- LS0710112 PICKUP HEAD W/CENTER BROOM KIT
- LS1020313 WHIRLWIND/II/L PICKUP HEAD
- LS1031176 CROSSWIND B PICKUP HEAD
- LS1043131 CROSSWIND G/GE BAH PICKUP HEAD
- LS1043145 CROSSWIND G/GE PICKUP HEAD
- LS1052013 CROSSWIND G PICKUP HEAD ASSEMBLY
- LS1059056 CROSSWIND J PICKUP HEAD (UP TO S/N J0294)
- LS1059115 CROSSWIND J BAH PICKUP HEAD



LS1063055
for *Whirlwind MV*

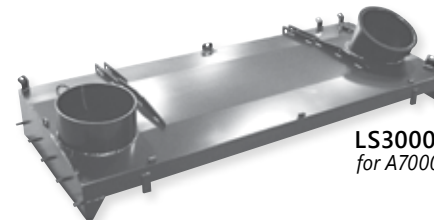
- LS1063055 WHIRLWIND MV NOZZLE PICKUP HEAD
- LS1065651 CROSSWIND J PICKUP HEAD (START S/N J0295)
- LS1065669 FSX PICKUP HEAD
- LS1067369 CROSSWIND J BAH PICKUP HEAD
- LS5719421 AIR CUB PICKUP HEAD
- LS5719933 AIR CUB PICKUP HEAD ASSEMBLY

FOR JOHNSTON

- LS304659 PICKUP HEAD
- LS304660 VANGUARD PICKUP HEAD ASSEMBLY

FOR SCHWARZE

- LS203999 A8000 PICKUP HEAD ASSEMBLY
- LS203B30 A7000 ABO PICKUP HEAD ASSEMBLY
- LS203M69 A7000 ADJUSTABLE ORIFICE PICKUP HEAD ASSEMBLY
- LS204P35 A7 PICKUP HEAD ASSEMBLY
- LS300077 A7000 ABO PICKUP HEAD ASSEMBLY



LS300077W
for *A7000 ABO*

- LS300077W A7000 ABO BARE PICKUP HEAD
- LS520014 A7000 FIXED BLAST ORIFICE BARE PICKUP HEAD
- LS520940 S333/340/344/347/348 BARE PICKUP HEAD
- LS521645 A7000 POWERHOOD PICKUP HEAD
- LS521948 A4000 BARE PICKUP HEAD
- LS522718 A7000 FIXED BLAST ORIFICE BARE PICKUP HEAD WITH QUICK DISCONNECT FLANGES

FOR TYMCO

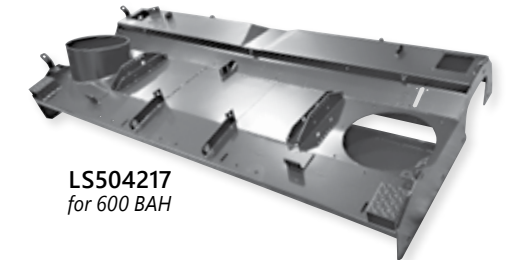
- LS501286 210/435 BARE PICKUP HEAD WITH ABO BRACKET



LS501393
for *600*

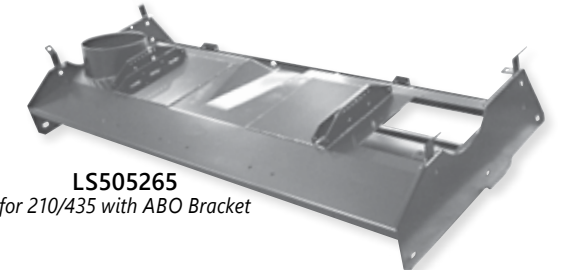
**TOP
SELLER**

- LS501393 600 BARE PICKUP HEAD
- LS502469 600 BAH BARE PICKUP HEAD
- LS503232 600 HSP PICKUP HEAD ASSEMBLY



LS504217
for *600 BAH*

- LS504217 600 BAH BARE PICKUP HEAD
- LS504897 SRE 210/435 PICKUP HEAD



LS505265
for *210/435 with ABO Bracket*

- LS505265 210/435 BARE PICKUP HEAD WITH ABO BRACKET
- LS505437 210/435 PICKUP HEAD ASSEMBLY
- LS505732 DST4 PICKUP HEAD ASSEMBLY
- LS505925 500X BAH PICKUP HEAD
- LS506157 500X BAH PICK UP HEAD ASSEMBLY
- LS506374 500X STD PICKUP HEAD WELDMENT
- LS506757 DST PICKUP HEAD SUB-ASSEMBLY
- LS506758 210/435 PICKUP HEAD SUB-ASSEMBLY
- LS506759 435 PICKUP HEAD SUB-ASSEMBLY
- LS506762 600 BAH PICKUP HEAD SUB-ASSEMBLY
- LS506769 HSP PICKUP HEAD SUB-ASSEMBLY
- LS506772 500X PICKUP HEAD SUB-ASSEMBLY STD.
- LS506774 500X BAH PICKUP HEAD SUB-ASSEMBLY
- LS506776 DST6 BAH PICKUP HEAD SUB-ASSEMBLY
- LS800727 FHD BAH PICKUP HEAD WELDMENT
- LS800733 BAH PICKUP HEAD ASSEMBLY

BEFORE BUYING ELSEWHERE, GET AN ABSOLUTELY FREE QUOTE FROM LACAL!

ALL PARTS ARE GUARANTEED TO MEET WITH YOUR APPROVAL. LACAL Equipment, Inc. offers after-market parts for road and highway maintenance equipment. All original equipment manufacturer's names, drawings, colors and part numbers are used for identification purposes only. LACAL is in no way implying that any of our products are original equipment parts.

CONTACT US TODAY VIA PHONE 800.543.6161 or EMAIL SALES@LACAL.COM

ALL PARTS ARE GUARANTEED TO MEET WITH YOUR APPROVAL. LACAL Equipment, Inc. offers after-market parts for road and highway maintenance equipment. All original equipment manufacturer's names, drawings, colors and part numbers are used for identification purposes only. LACAL is in no way implying that any of our products are original equipment parts.

THESE ARE JUST SOME OF OUR MOST REQUESTED PRODUCTS...

CURTAINS/CURTAIN SETS

ELGIN STYLE

| | |
|-----------|--------------------------------|
| LS0710150 | CROSSWIND J CURTAIN SET |
| LS0710151 | CROSSWIND J-BAH CURTAIN SET |
| LS0710152 | CROSSWIND J-FSX CURTAIN SET |
| LS0720015 | CROSSWIND G/GE CURTAIN SET |
| LS0720016 | CROSSWIND G/GE-BAH CURTAIN SET |

NITE HAWK STYLE

| | |
|-------------|-------------------|
| LSPUH0001 | CURTAIN SET |
| LSPUH0001SP | CURTAIN SET, 1/2" |

SCHWARZE STYLE

| | |
|----------|--|
| LS20439 | S333 SE CURTAIN SET WITH HARDWARE |
| LS29320 | A7000/A8000 STANDARD HEAD W/QUICK DISCONNECT |
| LS29333 | 343/347/348 CURTAIN SET WITH HARDWARE |
| LS29336 | A4000 PUNCHED CURTAIN SET WITH HARDWARE |
| LS29338 | A7000/A8000/A9000 POWER HEAD CURTAIN SET W/HDW. |
| LS66665 | CURTAIN SET |
| LS100053 | 343/347/348 CURTAIN SET WITH HARDWARE |
| LS100538 | A6000/A7000 STD. ABO HEAD PUNCHED CURTAIN SET |
| LS130285 | A7000 STD. OR ADJ. ORIFICE HEAD WITHOUT HARDWARE |
| LS130445 | A4000 PUNCHED CURTAIN SET WITHOUT HARDWARE |

TYMCO STYLE

| | |
|----------|--|
| LS500464 | 600 CURTAIN SET WITH HARDWARE, OLD STYLE |
| LS500619 | 210 CURTAIN SET WITH HARDWARE, OLD STYLE |
| LS500620 | 210/435 CURTAIN SET WITH HARDWARE |
| LS501020 | 500X STD./600 CURTAIN SET WITH HARDWARE |
| LS502008 | HSP CURTAIN SET WITH HARDWARE, 14" TUBE |
| LS502609 | 500X/600 BAH CURTAIN SET WITH HARDWARE |
| LS503234 | HSP CURTAIN SET WITH HARDWARE, 10" TUBE |
| LS503356 | 600 DST STD. CURTAIN SET WITH HARDWARE |
| LS503357 | 210DC/DST4 BOXED CURTAIN SET WITH HARDWARE |
| LS503899 | 600 BAH/DST6 CURTAIN SET WITH HARDWARE |
| LS507479 | 210 FORD CURTAIN SET |



TOP SELLER

THE LS500620 CURTAIN SET FOR TYMCO 210/435 CONTAINS:

LS5011143 Front Light Curtain • LS500506 Fastener Kit
 LS5011144 Front Heavy Curtain • LS5010588 Rear Curtains
 LS5013179 Suction Baffle Curtain • 05-50 Lock Washers
 LS5010584 Blast Orifice Curtain • 04-102 Hex Nuts
 020-411 Elevator Bolts



LACAL HAS CURTAINS FOR MANY MAKES & MODELS

ELGIN

| |
|-----------------------|
| AIR CUB |
| CROSSWIND B |
| CROSSWIND G |
| CROSSWIND GE / GE-BAH |
| CROSSWIND J / J-BAH |
| GEOVAC |
| WHIRLWIND II |
| WHIRLWIND L |
| WHIRLWIND MV |

JOHNSTON

| |
|------------------|
| 605 |
| VT650 |
| VT655 |
| 3000 |
| 4000 |
| NITE HAWK |
| OSPREY |
| RAPTOR |

SCHWARZE

| |
|-------|
| A4000 |
| A7000 |
| A8000 |
| A9000 |
| S333 |
| S340 |
| S3444 |
| S346 |
| S347 |
| S348 |

TYMCO

| |
|-------------------------|
| 210 |
| 435 |
| 500X |
| 600 / 600-BAH / 600-HSP |
| FHD |

BEFORE BUYING ELSEWHERE, GET AN ABSOLUTELY FREE QUOTE FROM LACAL!

ALL PARTS ARE GUARANTEED TO MEET WITH YOUR APPROVAL. Local Equipment, Inc. offers after-market parts for road and highway maintenance equipment. All original equipment manufacturer's names, drawings, colors and part numbers are used for identification purposes only. Local is in no way implying that any of our products are original equipment parts.

LACAL HAS MANY MORE ITEMS AVAILABLE – JUST ASK!

DIRT HOPPERS

FOR ELGIN

| | |
|-------------|--|
| LS1034100 | EAGLE E DIRT HOPPER |
| LS1034107 | EAGLE F DIRT HOPPER, EARLY |
| LS1043801 | PELICAN DIRT HOPPER WITH GATE |
| LS1058726 | CROSSWIND J DIRT HOPPER |
| LS1059808 | EAGLE DIRT HOPPER |
| LS1059808SP | EAGLE DIRT HOPPER W/O INSPECTION WINDOWS |
| LS1072895 | PELICAN NP DIRT HOPPER |
| LS1093620 | PELICAN NP DIRT HOPPER |
| LS1103467 | PELICAN DIRT HOPPER |
| LS5710745 | BROOM BEAR DIRT HOPPER, EARLY |
| LS5713260 | BROOM BEAR DIRT HOPPER WITH GATE |



LS1043801 for Pelican

LS1059808 for Eagle

FOR MOBIL

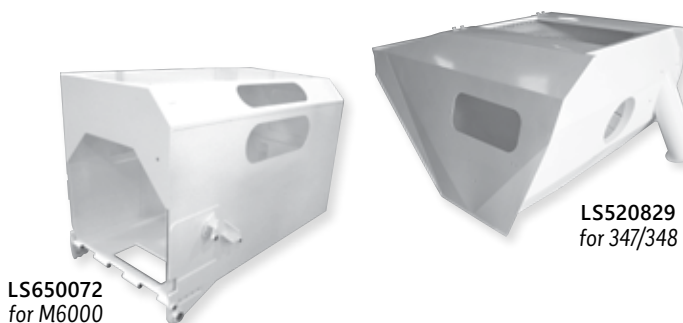
| | |
|-----------|-----------------------------|
| LSW800686 | M9 DIRT HOPPER |
| LSW809995 | M9B DIRT HOPPER, 1-PC GATE |
| LSW811198 | M9D DIRT HOPPER, NO WINDOW |
| LSW811421 | M9D DIRT HOPPER WITH WINDOW |



LSW809995 for M9D

FOR SCHWARZE

| | |
|----------|--------------------------------|
| LS520829 | 347/348 DIRT HOPPER |
| LS522328 | A4000 DIRT HOPPER WELDMENT |
| LS522595 | S347/S348 DIRT HOPPER |
| LS620554 | 4000/M4000 LH DUMP DIRT HOPPER |
| LS620869 | M5000 RH DUMP DIRT HOPPER |
| LS650072 | M6000 DIRT HOPPER, 5-YD. |

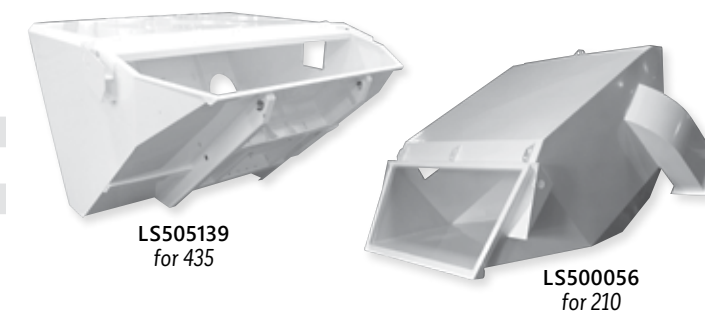


LS650072 for M6000

LS520829 for 347/348

FOR TYMCO

| | |
|----------|----------------------|
| LS500056 | 210 DIRT HOPPER |
| LS505139 | 435 DIRT HOPPER |
| LS506583 | 435 BIG TOP HOPPER |
| LS800019 | DIRT HOPPER WELDMENT |



LS505139 for 435

LS500056 for 210

CONTACT US TODAY VIA PHONE 800.543.6161 or EMAIL SALES@LACAL.COM

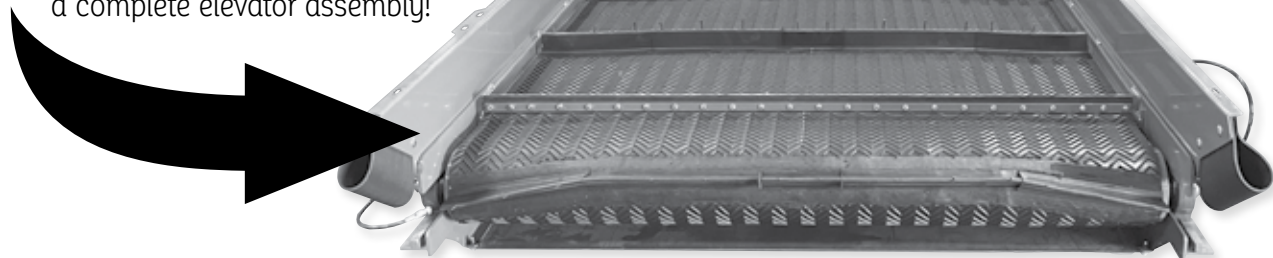
ALL PARTS ARE GUARANTEED TO MEET WITH YOUR APPROVAL. Local Equipment, Inc. offers after-market parts for road and highway maintenance equipment. All original equipment manufacturer's names, drawings, colors and part numbers are used for identification purposes only. Local is in no way implying that any of our products are original equipment parts.

THESE ARE JUST SOME OF OUR MOST REQUESTED PRODUCTS...

ELGIN CONVEYOR BELTS

54-Inch Belts Now Available

Order an individual part or a complete elevator assembly!



| | | | |
|-----------|-------------------------------------|--------------|--|
| LS1009989 | PELICAN CONVEYOR BELT, 48" X 13-FT. | LS1082386 | PELICAN NP/NS/NR CONVEYOR BELT, 48" X 13.08-FT. |
| LS1034720 | EAGLE CONVEYOR BELT, 48" X 18-FT. | LS1082387 | PELICAN P/SE/PW CONVEYOR BELT, 48" X 13.58-FT. |
| LS1049473 | EAGLE CONVEYOR BELT, 48" X 18-FT. | LS1082388 | EAGLE E/F/FW CHEVRON PRE-PUNCHED CONVEYOR BELT, 48" X 18-FT. |
| LS1049474 | PELICAN CONVEYOR BELT, 48" X 13-FT. | LS1113693 | EAGLE CONVEYOR BELT, 48" X 18-FT. |
| LS1078909 | PELICAN CONVEYOR BELT, 48" X 13-FT. | LS1118971LAC | EAGLE / ROAD WIZARD / BROOM BEAR / 4M CONVEYOR BELT, 54" |
| LS1078910 | EAGLE CONVEYOR BELT, 48" X 18-FT. | | |

CARBIDE DRAG SHOES



LS521063
SR Skid Shoe with Plate for Schwarze



LS1058962
LH DR Shoe with Plate for Elgin Crosswind



LSP810801
DR Runner with 4-Hole Plate for Mobil



LS5710553
Standard Dirt Shoe for Broom Bear

| | | | |
|---------------|---------------|--------------|-----------|
| ALLIANZ | ELGIN | SCHWARZE | TENNANT |
| ATHEY / MOBIL | JOHNSTON | SCORPION | TYMCO |
| BROOM BADGER | MR. AIR/MASCO | SKAVIN'JER | VICTORY |
| BROOM BEAR | NITE HAWK | STEWART AMOS | WITTKÉ |
| CHALLENGER | PYTHON | SWEEPRITE | AND MORE! |

BEFORE BUYING ELSEWHERE, GET AN ABSOLUTELY FREE QUOTE FROM LACAL!

ALL PARTS ARE GUARANTEED TO MEET WITH YOUR APPROVAL. Local Equipment, Inc. offers after-market parts for road and highway maintenance equipment. All original equipment manufacturer's names, drawings, colors and part numbers are used for identification purposes only. Local is in no way implying that any of our products are original equipment parts.

LACAL HAS MANY MORE ITEMS AVAILABLE – JUST ASK!

ELEVATOR FRAMES

FOR CHALLENGER

LS106001 ELEVATOR FRAME W/LINERS

FOR ELGIN

LS1034133 EAGLE CONVEYOR FRAME
 LS1062005 PELICAN CONVEYOR FRAME
 LS1069000 HD BROOM BEAR ELEVATOR FRAME WITH LINERS
 LS1074755 PELICAN NP/NS CONVEYOR FRAME
 LS1078011 BROOM BEAR STANDARD ELEVATOR FRAME
 LS1103165 ELEVATOR FRAME
 LS1121695 CONVEYOR FRAME
 LS5713761 BROOM BEAR STD. ELEVATOR FRAME W/LINERS
 LS6200810W CONVEYOR FRAME WITH LINERS

FOR MOBIL

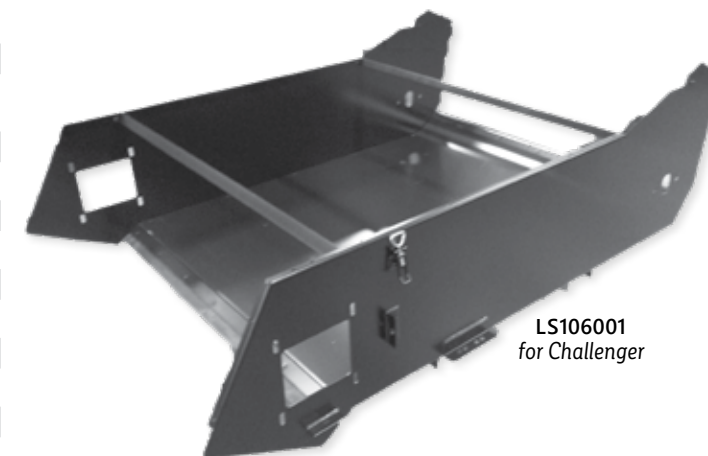
LSA402649 H10 LIGHTFOOT SPRING SHOE ELEVATOR FRAME
 LSA402666 H10 STANDARD SHOE ELEVATOR FRAME
 LSA80340 M7 ELEVATOR FRAME, 4-YD.
 LSA805044 M8A, M9A/B/D/E STD. SHOE ELEVATOR FRAME, 5-YD.
 LSA805045 M8A, M9A LIGHTFOOT SPRING SHOE ELEVATOR FRAME, 5-YD.
 LSA83545 M8 ELEVATOR FRAME, 4-YD.
 LSA83645 M8 ELEVATOR FRAME, 3-YD.
 LSA88219 M9 ELEVATOR FRAME, FIXED SHAFT
 LSW804395 M8A STANDARD ELEVATOR FRAME, 4-YD.

FOR SCHWARZE

LS203F36 M6000 ELEVATOR FRAME WITH LINERS

FOR STEWART-AMOS

LS43103 ELEVATOR FRAME WITH LINERS



LS106001
for Challenger

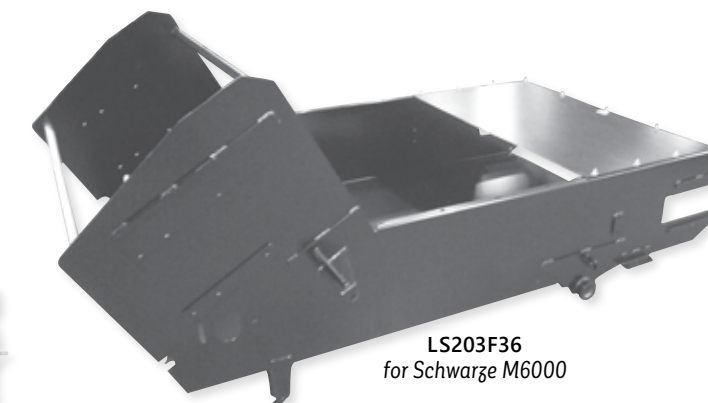
COMPLETE ASSEMBLIES
AND CONVEYOR BELTS
ALSO AVAILABLE!



LSW804395
for Mobil M8A



LS1034133
for Elgin Eagle



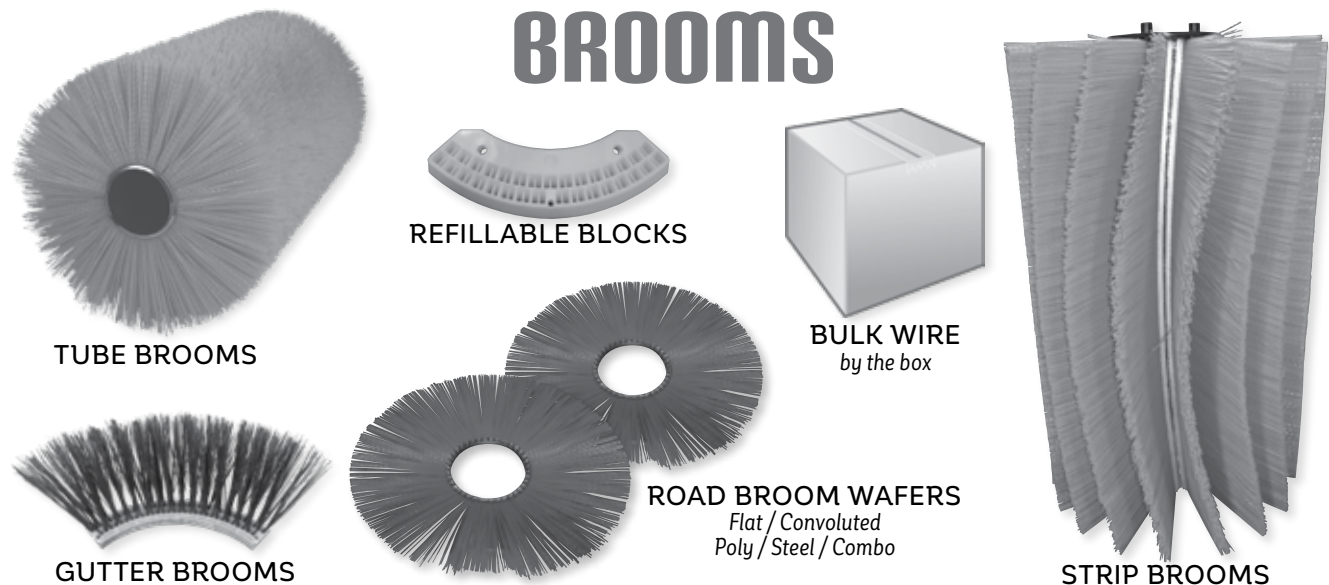
LS203F36
for Schwarze M6000

CONTACT US TODAY VIA PHONE 800.543.6161 or EMAIL SALES@LACAL.COM

ALL PARTS ARE GUARANTEED TO MEET WITH YOUR APPROVAL. Local Equipment, Inc. offers after-market parts for road and highway maintenance equipment. All original equipment manufacturer's names, drawings, colors and part numbers are used for identification purposes only. Local is in no way implying that any of our products are original equipment parts.

THESE ARE JUST SOME OF OUR MOST REQUESTED PRODUCTS...

BROOMS



TUBE BROOMS

REFILLABLE BLOCKS

BULK WIRE
by the box

ROAD BROOM WAFERS
Flat / Convoluted
Poly / Steel / Combo

GUTTER BROOMS

STRIP BROOMS

BROOMS BY MAKE & MODEL

| ELGIN | | ELGIN | | ELGIN | |
|---------------------|---|-----------------------------|---|------------------------|---|
| BROOM BADGER | | CROSSWIND | | PELICAN | |
| LB122 | COMBO TUBE BROOM, 58" | LB30556 | STEEL GUTTER BROOM, 5-SEGMENT | LB557 | HD STEEL GUTTER BROOM, 4-SEGMENT |
| LB30556 | STEEL GUTTER BROOM, 5-SEGMENT | LB30721 | HD STEEL GUTTER BROOM, 5-SEGMENT | LB566 | ALL-PRO COMBO STRIP BROOM, 66" (18 PIECES) |
| LB412 | ALL-PRO CENTER SWEEP MANDREL, 58" | LB531 | POLYTUBE BROOM, 78" | LB646 | POLY GUTTER BROOM, 4-SEGMENT |
| LB458 | ALL-PRO POLY STRIP BROOM, 58" (18 PIECES) | LB532 | COMBO TUBE BROOM, 78" | LB88153 | HD STEEL GUTTER BROOM, 5-SEGMENT, GAYLORD |
| LB504 | POLYTUBE BROOM, 58" | LB599 | STEEL GUTTER BROOM, 2-SEGMENT | ROAD WIZARD | |
| LB554 | STEEL GUTTER BROOM, 4-SEGMENT | LB619 | POLY GUTTER BROOM, 5-SEGMENT | LB137 | POLYTUBE BROOM, 60" |
| LB558 | POLY DOUBLE WRAP TUBE BROOM, 58" | LB977 | POLY GUTTER BROOM, 2-SEGMENT | LB138 | COMBO TUBE BROOM, 60" |
| LB558 | ALL-PRO COMBO STRIP BROOM, 58" (18 PIECES) | EAGLE | | LB173 | HD POLYTUBE BROOM, 60" |
| BROOM BEAR | | LB137 | POLYTUBE BROOM, 60" | LB30556 | STEEL GUTTER BROOM, 5-SEGMENT |
| LB122 | COMBO TUBE BROOM, 58" | LB138 | COMBO TUBE BROOM, 60" | LB30721 | HD STEEL GUTTER BROOM, 5-SEGMENT |
| LB137 | POLYTUBE BROOM, 60" | LB173 | HD POLYTUBE BROOM, 60" | LB411 | ALL-PRO CENTER SWEEP MANDREL, 60" |
| LB138 | COMBO TUBE BROOM, 60" | LB30556 | STEEL GUTTER BROOM, 5-SEGMENT | LB460 | ALL-PRO POLY STRIP BROOM, 60" (18 PIECES) |
| LB173 | HD POLYTUBE BROOM, 60" | LB30721 | HD STEEL GUTTER BROOM, 5-SEGMENT | LB560 | ALL-PRO COMBO STRIP BROOM, 60" (18 PIECES) |
| LB30556 | STEEL GUTTER BROOM, 5-SEGMENT | LB411 | ALL-PRO CENTER SWEEP MANDREL, 60" | LB619 | POLY GUTTER BROOM, 5-SEGMENT |
| LB30721 | HD STEEL GUTTER BROOM, 5-SEGMENT | LB460 | ALL-PRO POLY STRIP BROOM, 60" (18 PIECES) | WHIRLWIND MV | |
| LB411 | ALL-PRO CENTER SWEEP MANDREL, 60" | LB560 | ALL-PRO COMBO STRIP BROOM, 60" (18 PIECES) | LB166 | POLYTUBE BROOM, 54" |
| LB412 | ALL-PRO CENTER SWEEP MANDREL, 58" | LB619 | POLY GUTTER BROOM, 5-SEGMENT | LB167 | COMBO TUBE BROOM, 54" |
| LB458 | ALL-PRO POLY STRIP BROOM, 58" (18 PIECES) | MEGAWIND / WHIRLWIND | | LB599 | STEEL GUTTER BROOM, 2-SEGMENT |
| LB460 | ALL-PRO POLY STRIP BROOM, 60" (18 PIECES) | LB133 | COMBO TUBE BROOM, 60" | LB977 | POLY GUTTER BROOM, 2-SEGMENT |
| LB504 | POLYTUBE BROOM, 58" | LB134 | POLYTUBE BROOM, 60" | JOHNSTON/GLOBAL | |
| LB558 | POLY DOUBLE WRAP TUBE BROOM, 58" | PELICAN | | 605 | |
| LB558 | ALL-PRO COMBO STRIP BROOM, 58" (18 PIECES) | LB135 | POLYTUBE BROOM, 66" | LB220 | POLYTUBE BROOM, 50.5" |
| LB560 | ALL-PRO COMBO STRIP BROOM, 60" (18 PIECES) | LB136 | COMBO TUBE BROOM, 66" | LB221 | COMBO TUBE BROOM, 50.5" |
| LB619 | POLY GUTTER BROOM, 5-SEGMENT | LB153 | HD POLYTUBE BROOM, 66" | LB599 | STEEL GUTTER BROOM, 2-SEGMENT |
| | | LB410 | ALL-PRO CENTER SWEEP MANDREL, 66" | LB977 | POLY GUTTER BROOM, 2-SEGMENT |
| | | LB466 | ALL-PRO POLY STRIP BROOM, 66" (18 PIECES) | | |
| | | LB554 | STEEL GUTTER BROOM, 4-SEGMENT | | |

BEFORE BUYING ELSEWHERE, GET AN ABSOLUTELY FREE QUOTE FROM LACAL!

ALL PARTS ARE GUARANTEED TO MEET WITH YOUR APPROVAL. Local Equipment, Inc. offers after-market parts for road and highway maintenance equipment. All original equipment manufacturer's names, drawings, colors and part numbers are used for identification purposes only. Local is in no way implying that any of our products are original equipment parts.

LACAL HAS MANY MORE ITEMS AVAILABLE – JUST ASK!

BROOM WAFERS

| ITEM# | SPECS (I.D. X O.D.) | DESCRIPTION | ITEM# | SPECS (I.D. X O.D.) | DESCRIPTION |
|---------|---------------------|------------------------|-------|---------------------|------------------------|
| LB334 | 6-3/8" X 21" | CONVOLUTED COMBO WAFER | LB318 | 10" X 27" | FLAT COMBO WAFER |
| LB327 | 6-3/8" X 21" | CONVOLUTED POLY WAFER | LB347 | 10" X 27" | FLAT POLY WAFER |
| LB328 | 6-3/8" X 21" | CONVOLUTED WIRE WAFER | LB374 | 10" X 27" | FLAT WIRE WAFER |
| LB329 | 6-3/8" X 21" | FLAT POLY WAFER | LB314 | 10" X 32" | CONVOLUTED COMBO WAFER |
| LB311 | 6-3/8" X 24" | CONVOLUTED COMBO WAFER | LB317 | 10" X 32" | CONVOLUTED POLY WAFER |
| LB323 | 6-3/8" X 24" | CONVOLUTED POLY WAFER | LB316 | 10" X 32" | CONVOLUTED WIRE WAFER |
| LB326 | 6-3/8" X 24" | CONVOLUTED WIRE WAFER | LB313 | 10" X 32" | FLAT COMBO WAFER |
| LB325 | 6-3/8" X 24" | FLAT POLY WAFER | LB041 | 10" X 32" | FLAT POLY WAFER |
| LB350 | 7-1/8" X 24" | FLAT POLY WAFER | LB315 | 10" X 32" | FLAT WIRE WAFER |
| LB351 | 7-1/8" X 24" | FLAT WIRE WAFER | LB322 | 10" X 36" | CONVOLUTED POLY WAFER |
| LB390 | 8" X 26" | CONVOLUTED COMBO WAFER | LB324 | 10" X 36" | CONVOLUTED WIRE WAFER |
| LB388 | 8" X 26" | CONVOLUTED POLY WAFER | LB050 | 10" X 36" | FLAT POLY WAFER |
| LB389 | 8" X 26" | CONVOLUTED WIRE WAFER | LB320 | 10" X 36" | FLAT WIRE WAFER |
| LB229 | 10" X 27" | CONVOLUTED POLY WAFER | LB080 | 10" X 36" | SLOPED POLY WAFER |
| LB33228 | 10" X 27" | CONVOLUTED WIRE WAFER | LB080 | 10" X 36" | SLOPED POLY WAFER |

BROOMS BY MAKE & MODEL

| JOHNSTON/GLOBAL | | MOBIL | | STEWART-AMOS | |
|-------------------|---|----------------------|---|--|---|
| 650 | | ALL MODELS | | STARFIRE S-4C / S-4XL / S-6S / S-6T | |
| LB224 | HD COMBO TUBE BROOM, 51", X-DRIVE | LB559 | STEEL GUTTER BROOM, 4-SEGMENT | LB122 | COMBO TUBE BROOM, 58" |
| LB227 | HD POLY TUBE BROOM, 51", X-DRIVE | LB560 | HD STEEL GUTTER BROOM, 4-SEGMENT | LB30558 | DOUBLE WRAP POLY TUBE BROOM, 58" |
| LB599 | STEEL GUTTER BROOM, 2-SEGMENT | LB601 | POLY GUTTER BROOM, 4-SEGMENT | LB408 | ALL-PRO MANDREL W/END PLATE, 58" |
| LB977 | POLY GUTTER BROOM, 2-SEGMENT | NITEHAWK | | LB412 | ALL-PRO CENTER SWEEP MANDREL, 58" |
| 651 | | LB599 | STEEL GUTTER BROOM, 2-SEGMENT | LB458 | ALL-PRO POLY STRIP BROOM, 58" (18 PIECES) |
| LB224 | HD COMBO TUBE BROOM, 51", X-DRIVE | LB977 | POLY GUTTER BROOM, 2-SEGMENT | LB504 | POLYTUBE BROOM, 58" |
| LB227 | HD POLY TUBE BROOM, 51", X-DRIVE | SCHWARZE | | LB558 | ALL-PRO COMBO STRIP BROOM, 58" (18 PIECES) |
| LB30911 | STEEL GUTTER BROOM, 4-ROW, 1-PC. | A4000 | | TENNANT | |
| 3000/4000 | | LB553 | WIRE GUTTER BROOM, 22", 4-SEGMENT | CENTURION | |
| LB205 | POLYTUBE BROOM, 56.5" | A7000 / A8000 | | LB168 | POLYTUBE BROOM W/HARDWARE, 68" |
| LB561 | WIRE GUTTER BROOM, 4-SEGMENT | LB30556 | STEEL GUTTER BROOM, 5-SEGMENT | LB30556 | STEEL GUTTER BROOM, 5-SEGMENT |
| LB562 | WIRE GUTTER BROOM, 12-SEGMENT | LB619 | POLY GUTTER BROOM, 5-SEGMENT | SENTINEL 830 | |
| ES351 | | LB721 | HD WIRE GUTTER BROOM, 5-SEGMENT | LB30830 | POLYTUBE BROOM, 50" |
| LB561 | STEEL GUTTER BROOM, 4-SEGMENT | LB88153 | HD STEEL GUTTER BROOM, 5-SEGMENT, GAYLORD | LB39880 | COMBO GUTTER BROOM, 1-SEGMENT, 32" |
| LB647 | POLY GUTTER BROOM, 4-SEGMENT | M5000 / M6000 | | TYMCO | |
| MS350 | | LB122 | COMBO TUBE BROOM, 58" | 210 | |
| LB400 | POLY TUBE BROOM W/END PLATE, 58" | LB30556 | STEEL GUTTER BROOM, 5-SEGMENT | LB080 | SLOPED POLY WAFER, 10" X 36" |
| RT655 | | LB412 | ALL-PRO CENTER SWEEP MANDREL, 58" | LB553 | WIRE GUTTER BROOM, 22", 4-SEGMENT |
| LB561 | STEEL GUTTER BROOM, 4-SEGMENT | LB458 | ALL-PRO POLY STRIP BROOM, 58" (18 PIECES) | LB646 | POLY GUTTER BROOM, 4-SEGMENT |
| LB647 | POLY GUTTER BROOM, 4-SEGMENT | LB504 | POLYTUBE BROOM, 58" | 435 | |
| MOBIL | | LB558 | ALL-PRO COMBO STRIP BROOM, 58" (18 PIECES) | LB554 | STEEL GUTTER BROOM, 4-SEGMENT |
| ALL MODELS | | LB619 | POLY GUTTER BROOM, 5-SEGMENT | LB646 | POLY GUTTER BROOM, 4-SEGMENT |
| LB122 | COMBO TUBE BROOM, 58" | LB721 | HD WIRE GUTTER BROOM, 5-SEGMENT | 600 BAH | |
| LB30558 | DOUBLE WRAP POLY TUBE BROOM, 58" | LB88153 | HD STEEL GUTTER BROOM, 5-SEGMENT, GAYLORD | LB140 | POLYTUBE BROOM, 79" |
| LB412 | ALL-PRO CENTER SWEEP MANDREL, 58" | | | LB559 | STEEL GUTTER BROOM, 4-SEGMENT |
| LB458 | ALL-PRO POLY STRIP BROOM, 58" (18 PIECES) | | | LB601 | POLY GUTTER BROOM, 4-SEGMENT |
| LB504 | POLYTUBE BROOM, 58" | | | | |
| LB558 | ALL-PRO COMBO STRIP BROOM, 58" (18 PIECES) | | | | |

CONTACT US TODAY VIA PHONE 800.543.6161 or EMAIL SALES@LACAL.COM

ALL PARTS ARE GUARANTEED TO MEET WITH YOUR APPROVAL. Local Equipment, Inc. offers after-market parts for road and highway maintenance equipment. All original equipment manufacturer's names, drawings, colors and part numbers are used for identification purposes only. Local is in no way implying that any of our products are original equipment parts.

THESE ARE JUST SOME OF OUR MOST REQUESTED PRODUCTS...



TOP SELLER

ALLIANZ

SEE JOHNSTON GLOBAL - PAGE 55

ATHEY-MOBIL

SEE MOBIL - PAGE 57

CHALLENGER

| | |
|--------------|---|
| LS100006 | CONVEYOR SUPPORT PIPE |
| LS100012 | MAIN BROOM ARM PIN |
| LS100021 | CURTAIN |
| LS102001 | BROOM ARBOR WELDMENT |
| LS102001 | FIBER GUARD |
| LS102002 | COMPRESSION RUBBER |
| LS102004 | FIBER GUARD |
| LS102005 | BROOM ARM BUSHING, 1.25" X 1.5" X 4.13" |
| LS102006 | MOTOR MOUNT BRACKET |
| LS102100 | RH MAIN BROOM SHAFT |
| LS102110 | RH MAIN BROOM ARM |
| LS102220 | LH MAIN BROOM ARM |
| LS103005 | STEEL BUSHING |
| LS103022 | BUSHING |
| LS103025 | PIN ASSEMBLY |
| LS103027 | SLIDING RAIL |
| LS103028 | RH DRAG SHOE PLATE |
| LS103032 | LH DRAG SHOE PLATE |
| LS103102 | DRAG SHOE |
| LS106001 | ELEVATOR FRAME W/LINERS |
| LS106001ASSY | CONVEYOR ASSEMBLY |
| LS106001H | ABRASION PLATE |
| LS106002 | RH BEARING MOUNT PLATE |
| LS106003 | LOWER CONVEYOR TRAY |
| LS106004 | LH BEARING MOUNT PLATE |
| LS106005 | UPPER CONVEYOR TRAY |
| LS106006 | UPPER ELEVATOR SHAFT |
| LS106010 | SPLIT NYLON SPACER |
| LS106011 | LOWER ELEVATOR SHAFT |
| LS106012 | LOWER MOUNTING PLATE |

CHALLENGER

| | |
|------------|-------------------------------|
| LS106013 | FLIGHT ANGLE |
| LS106015 | UPPER CONVEYOR COVER |
| LS106019 | 7-FLIGHT CONVEYOR CHAIN, .59P |
| LS106023 | CURTAIN STRAP |
| LS10602319 | CURTAIN STRAP |
| LS106024 | LOWER CURTAIN PIN |
| LS106026 | LH BRACKET |
| LS106027 | RH BRACKET |
| LS106028 | LOWER CONVEYOR COVER |
| LS106029 | CONVEYOR LID |
| LS106058 | CONVEYOR CURTAIN RUBBER |
| LS108085 | HOPPER WINDOW SEAL |
| LS108086 | HOPPER DOOR PIN |
| LS114003 | SPRAY BAR ASSEMBLY |
| LS114010 | SPRAY NOZZLE BASE CLAMP |
| LS114011 | SPRAY NOZZLE CAP |
| LS114012 | SPRAY NOZZLE GASKET |
| LS114017 | SPRAY TIP (BLUE) |
| LS119024 | HYDRAULIC MOTOR CONN. PLATE |
| LS153611 | MUFFLER KIT |
| LS206059 | UPPER SHAFT BEARING |
| LS206060 | LOWER ELEVATOR SHAFT BEARING |
| LSWC011700 | FLIGHT RUBBER |
| LSWC013000 | ELEVATOR CHAIN |

ELGIN

| | |
|-----------|-------------------------------|
| LB020 | POLY GUTTER BROOM BLOCK |
| LB30737 | EAGLE GUTTER BROOM, 5-SEGMENT |
| LB31981 | EAGLE HD POLY TUBE BROOM |
| LB466A | PELICAN STRIP BROOM - SINGLE |
| LB737 | EAGLE 5-SEGMENT G. BROOM |
| LB738 | GUTTER BROOM, 4-SEGMENT |
| LB942 | GUTTER BROOM, 2-SEGMENT |
| LBRM80475 | STRAIGHT MANDREL CHANNEL, 66" |
| LS0004525 | CAM FOLLOWER |
| LS0035480 | LH DIRT SHOE ASSEMBLY |
| LS0035481 | RH DIRT SHOE ASSEMBLY |

ELGIN

| | |
|-------------|----------------------------------|
| LS0035617 | WAFER BROOM KIT, 22P & 22W |
| LS0039180J | BLOWER HOUSING LINATEX KIT |
| LS0054263 | PICKUP HEAD W/CTR BROOM SUB ASSY |
| LS0054361 | RH SIDE BROOM TILT KIT |
| LS0054362 | LH SIDE BROOM TILT KIT |
| LS0058809 | CROSSWIND J PICKUP HEAD ASSY |
| LS0073391 | WATER PUMP REPAIR KIT |
| LS0076013 | CYLINDER REPAIR KIT |
| LS0076014 | CYLINDER REPAIR KIT |
| LS0076025 | CARRIER ASSEMBLY |
| LS0076700 | SE CONVEYOR ASSEMBLY |
| LS0076701 | CONVEYOR ASSY UP TO T-1353 |
| LS0076702 | CONVEYOR ASSY (ASSEMBLED) |
| LS0076709 | PELICAN FRAME ASSY (UP TO P24) |
| LS0076710 | PELICAN FRAME ASSY (START P25) |
| LS00767101 | PELICAN P FRAME KIT, ASSEMBLED |
| LS00767102 | PELICAN P FRAME KIT, ASSEMBLED |
| LS00767103 | PELICAN SE CONV. KIT S8598-S8766 |
| LS00767104 | PELICAN SE CONV. ASSEMBLY |
| LS00767105 | CONVEYOR FRAME KIT |
| LS0076710DS | PELICAN P FRAME KIT ASSEMBLY |
| LS0076711 | EAGLE CONVEYOR ASSEMBLY |
| LS00767111 | EAGLE CONVEYOR ASSEMBLY |
| LS00767112 | HD EAGLE CONVEYOR ASSEMBLY |
| LS0076711GK | EAGLE CONV. F GREASE LINE KIT |
| LS0087605 | CARBIDE SKID SHOE KIT |
| LS0089339 | SMART BACK UP ALARM |
| LS0099069 | BROOM ARBOR ASSEMBLY |
| LS0099204 | HD SPRING GUIDE WHEEL ASSY |
| LS0099244 | DIRT DEFLECTOR W/TOWBAR ASSY |
| LS0710046 | NOZZLE SET |
| LS0710047 | CONVEYOR HANGER KIT |
| LS0710053 | SPRAY BAR SUB-ASSEMBLY KIT |
| LS0710055 | CENTER BROOM HYD. ADDITIONS |
| LS0710060 | CONVEYOR ASSY (LESS MOTOR) |
| LS0710075 | CENTER BROOM HYD. SUB-ASSY |
| LS0710079 | SUCTION DUCT GASKET KIT |

LACAL HAS MANY MORE ITEMS AVAILABLE – JUST ASK!

ELGIN

| | |
|------------|------------------------------------|
| LS0710080 | SHOCK ABSORBER REPL KIT |
| LS0710086 | SPRAY BAR ASSEMBLY |
| LS0710087 | SPRAY BAR ASSEMBLY |
| LS0710096 | SIDE BROOM DRIVE HUB KIT |
| LS0710101 | HD GUIDE WHEEL KIT W/BRGS |
| LS0710112 | P.U HEAD W/CENTER BROOM KIT |
| LS07101121 | PICKUP HEAD W/C.B. ASSEMBLY |
| LS0710115 | WATER SPRAY KIT |
| LS0710119 | SPRAY WATER SUB ASSEMBLY |
| LS0710123 | SPRAY WATER ADDITIONS, STD. |
| LS0710137 | SPRAY WATER ADDITIONS, BAH |
| LS0710139 | C'WIND J.P.U. HEAD ASSY, USMC |
| LS0710140 | C'WIND J.P.U. HEAD ASSY |
| LS0710141 | PICK-UP HEAD & LIFT ASSEMBLY |
| LS0710148 | CONNECTOR UPDATE KIT |
| LS0710150 | CROSSWIND J CURTAIN SET |
| LS0710151 | CROSSWIND J BAH CURTAIN SET |
| LS0710152 | FSX CURTAIN SET |
| LS0710164 | RH DOOR HINGE KIT |
| LS0710165 | LH DOOR HINGE KIT |
| LS0710168 | IMPELLER BRG KIT-INBOARD |
| LS0710169 | IMPELLER BRG KIT-OUTBOARD |
| LS0710197 | PAIR OF HEADLIGHTS |
| LS0720015 | CROSSWIND G/GE CURTAIN SET |
| LS0720015P | POLY CURTAIN SET |
| LS0720016 | C'WIND G/GE BAH CURTAIN SET |
| LS0720034 | C'WIND J.P.U. HEAD SPARE PARTS KIT |
| LS100005 | LOWER LIFT ARM PIN |
| LS1000061 | STUD WASHER, .38 PLATED |
| LS100007 | SHORT CONV LIFT ARM WELD. |
| LS100008 | PIN |
| LS100009 | LONG CONVEYOR LIFT ARM |
| LS100015 | SCISSORS PIN |
| LS100018 | B. BADGER LONG SCISSORS PIN |
| LS100020 | RH ROCKER ARM |
| LS100038 | CHALLENGER HINGE |
| LS1000934 | PIPE & BRACKET |
| LS10010 | WAFER ARBOR, 10" |
| LS1001319 | BAFFLE STRIP |
| LS1001977 | DIRT SHOE EXTENSION SPRING |
| LS1002419 | GASKET |
| LS1002425 | IDLER SPROCKET |
| LS1002471 | SPROCKET & BEARING ASSEMBLY |
| LS1002863 | LUBRICATING HOSE BRACKET |
| LS1003444 | M. BROOM JACK SHAFT BEARING |
| LS1003895 | PIVOT BRACKET |
| LS1003919 | SPRING ROD WELDMENT |
| LS1003921 | ROD END |
| LS1003922 | ROD RETAINER |
| LS1003952 | SPRING NUT |
| LS1003958 | MAIN BROOM CROSS SHAFT |
| LS1004305 | CLAMP |
| LS1004558 | M.BROOM SUSPENSION SPRING |
| LS1004908 | SHORT RUBBER DIRT RUNNER |
| LS1004908U | SHORT DIRT RUNNER, URETHANE |
| LS1005080 | WHITE WING BELT |
| LS1005208 | CONVEYOR HINGE BRACKET |
| LS1005209 | PIVOT BRACKET |

ELGIN

| | |
|-----------|------------------------------|
| LS1005274 | SCREW |
| LS1005275 | COLLAR |
| LS1005345 | PIVOT SHAFT COLLAR |
| LS1005381 | PIVOT SCREW WITH GREASE ZERK |
| LS1005412 | SPROCKET W/BUSHING |
| LS1005420 | CYLINDER BRACKET WELDMENT |
| LS1005451 | SOLID COLLAR W/2 SET SCREWS |
| LS1005495 | INPUT SHAFT |
| LS1005496 | DRIVE SHAFT SLEEVE |
| LS1005502 | KEY |
| LS1005552 | DIRT DEFLECTOR |
| LS1005560 | DEFLECTOR |
| LS1005561 | CLAMP STRIP |
| LS1005563 | SPROCKET W/ HARDENED TEETH |
| LS1005572 | INPUT SHAFT |
| LS1005593 | COLLAR |
| LS1005934 | WATER TANK GAUGE |
| LS1006070 | BEARING BLOCK SET |
| LS1006130 | SIDE BROOM THRUST WASHER |
| LS1006193 | DEFLECTOR |
| LS1006206 | SHEAR PIN |
| LS1006229 | DEFLECTOR SHIELD |

WAIT... I DON'T SEE THE PART I NEED!

Call 800.543.6161 to access our entire inventory of parts. This catalog is only a portion of the quality replacement parts that Lecal Equipment offers!

| | |
|-------------|-----------------------------|
| LS1006231 | CLAMP PLATE |
| LS1006394 | SCRAPER CLAMP |
| LS1006395 | SCRAPER |
| LS1006418 | PULLEY |
| LS1006435 | SCRAPER & BELT ASSEMBLY |
| LS1006770 | SIDE BROOM RETAINING SPRING |
| LS1006778 | SHAFT |
| LS1006785 | SIDE BROOM ADJUSTING BLOCK |
| LS1006797 | ADJUSTABLE SCREW |
| LS1006876 | BUSHING |
| LS1006913 | ADJUSTABLE NUT |
| LS1006962R1 | CLAMP |
| LS1007092 | ADJUSTABLE STOP |
| LS1007122 | WIPER |
| LS1007163 | HEX TAP BOLT, FULL THD., SS |
| LS1007218 | SPACER |
| LS1007229 | SLEEVE |
| LS1007247 | TAKE UP BLOCK |
| LS1007250 | END PLATE |
| LS1007257 | DRIVE HUB |
| LS1007260 | SHEAR PIN STOP |
| LS1007275 | HYDRAULIC CYLINDER CLEVIS |
| LS1007433 | SHOULDER BOLT |

ELGIN

| | |
|------------|-----------------------------------|
| LS1007461 | UPPER ROLLER BEARING |
| LS1007503 | PIVOT SHAFT WELDMENT |
| LS1007506 | PIVOT BRACKET WELDMENT |
| LS1007572 | DIRT DEFLECTOR |
| LS1007924 | UPPER ROLLER, OLD STYLE |
| LS1007943 | TAKE UP ADJUSTMENT |
| LS1007958 | DRIVE SPROCKET |
| LS1007994 | PIVOT PIN |
| LS1008007 | PIVOT PIN |
| LS1008008 | PIVOT PIN WELDMENT |
| LS1008009 | PIVOT PIN WELDMENT |
| LS1008010 | TILT CYLINDER ROD PIN |
| LS1008011 | PIN WELDMENT |
| LS1008012 | ROD PIN WELDMENT |
| LS1008046 | MAIN DRIVE CHAIN |
| LS1008049 | SIDE SHOE SPACER |
| LS1008087 | SHAFT |
| LS1008100 | MAIN BROOM STUB SHAFT |
| LS1008102 | M. BROOM IDLER SHAFT WELD. |
| LS1008129 | BRAKE & CLUTCH PEDAL LINK |
| LS1008345 | FELT WASHER |
| LS1008361 | DIRT DEFLECTOR |
| LS1008442 | LINK |
| LS1008454 | RH GUTTER BROOM COVER |
| LS1008455 | LH GUTTER BROOM COVER |
| LS1008614 | CLUTCH ARM RETURN SPRING |
| LS1008654 | SHAFT |
| LS1008798 | END CLEVIS |
| LS1008835 | RH LATCH HOOK |
| LS1008836 | LH LATCH HOOK |
| LS1008874 | RH CLEAR BUBBLE WINDOW W/ SLIDER |
| LS1008874T | RH TINTED BUBBLE WINDOW W/ SLIDER |
| LS1008875 | LH CLEAR BUBBLE WINDOW W/ SLIDER |
| LS1008875T | LH TINTED BUBBLE WINDOW W/ SLIDER |
| LS1009124 | SPACER |
| LS1009159 | BAFFLE STRIP |
| LS1009528 | LIFT ROLLER PIN |
| LS1009534 | LOWER MAIN BROOM ARM |
| LS1009553 | CHAIN IDLER ADJUSTABLE SCREW |
| LS1009573 | PIVOT HOUSING BUSHING |
| LS1009640 | CLUTCH DISC |
| LS1009641 | CLUTCH PLATE ASSEMBLY |
| LS1009872 | IDLER PULLEY |
| LS1009899 | SPLICE BAR |
| LS1009922 | RH GUIDE PLATE WELDMENT |
| LS1009923 | LH GUIDE PLATE WELDMENT |
| LS1009945 | ADJUSTER BRACKET |
| LS1009989 | PELICAN CONV. BELT, 48" X 13-FT. |
| LS1009992 | LIFT ROLLER PIN |
| LS1010026 | VENTED GAS TANK CAP |
| LS1010081 | HOPPER LATCH KIT |
| LS101010 | PIN |
| LS1010119 | BRACKET |
| LS1010147 | BUMPER PAD |

BEFORE BUYING ELSEWHERE, GET AN ABSOLUTELY FREE QUOTE FROM LACAL!

CONTACT US TODAY VIA PHONE 800.543.6161 or EMAIL SALES@LACAL.COM

ALL PARTS ARE GUARANTEED TO MEET WITH YOUR APPROVAL. Lecal Equipment, Inc. offers after-market parts for road and highway maintenance equipment. All original equipment manufacturer's names, drawings, colors and part numbers are used for identification purposes only. Lecal is in no way implying that any of our products are original equipment parts.

ALL PARTS ARE GUARANTEED TO MEET WITH YOUR APPROVAL. Lecal Equipment, Inc. offers after-market parts for road and highway maintenance equipment. All original equipment manufacturer's names, drawings, colors and part numbers are used for identification purposes only. Lecal is in no way implying that any of our products are original equipment parts.

THESE ARE JUST SOME OF OUR MOST REQUESTED PRODUCTS...

ELGIN

| | |
|-----------|-----------------------------|
| LS1010161 | DIRT DEFLECTOR |
| LS1010189 | RH SIDE DIRT DEFLECTOR |
| LS1010288 | MIRROR, 12" ROUND |
| LS1010370 | CONVEYOR DRIVEN SPROCKET |
| LS1010371 | CONVEYOR DRIVE SPROCKET |
| LS1010716 | SHUTTER RUBBER FLAP |
| LS1010734 | EXTENSION BROOM BEARING |
| LS1010755 | THREADED ROD |
| LS1010765 | RH GATE WELDMENT |
| LS1010778 | REAR NOZZLE FLAP |
| LS1010784 | BLIND FLANGE |
| LS1010913 | CLEAR BUBBLE WINDOW |
| LS1010939 | SPRING ADJUSTER |
| LS1010941 | M.B. CROSS SHAFT BEARING |
| LS1010986 | GUTTER BROOM MOUNTING DISC |
| LS1011041 | SIDE RUBBER NOZZLE FLAP |
| LS1011204 | IMPELLER SHAFT |
| LS1011205 | KEY |
| LS1011235 | SHUTTLE VALVE |
| LS1011286 | BRASS SPRAY NOZZLE |
| LS1011287 | BEARING FLYWHEEL HOUSING |
| LS1011334 | IMPELLER BEARING SHIM |
| LS1011378 | HOPPER DOOR PIVOT SHAFT |
| LS1011380 | CENTER BOARD LIFT ROLLER |
| LS1011454 | HOSE, 11" X 62" W/4" CUFFS |
| LS1011513 | SUCTION DUCT GASKET |
| LS1011514 | SUCTION DUCT GASKET |
| LS1011515 | KEY |
| LS1011570 | AIR PRE-CLEANER, 8" |
| LS1011606 | THROTTLE CABLE |
| LS1011664 | SPRING GUIDE ROD |
| LS1011669 | BUSHING |
| LS1011839 | TOWBAR BUSHING |
| LS1011936 | S.B. DRIVE SPROCKET BEARING |
| LS1011937 | SHOULDER BUSHING |
| LS1011964 | CLAMP DISC |
| LS1012036 | LH GATE WELDMENT |
| LS1012082 | LOCKING DISC |
| LS1012092 | EXT. BROOM APRON SUPPORT |
| LS1012114 | KEY |
| LS1012125 | MAIN BROOM CHAIN HOOK |
| LS1012127 | LH LOWER MAIN BROOM ARM |
| LS1012344 | GUIDE WHEEL HUB ASSEMBLY |
| LS1012371 | CLAMP STRIP |
| LS1012373 | DEFLECTOR |
| LS1012407 | LH MAIN BROOM ARM |
| LS1012408 | RH MAIN BROOM ARM |
| LS1012447 | CONNECTOR WELDMENT |
| LS1012488 | CONTROL LEVER PIN |
| LS1012520 | RH IDLER ARM |
| LS1012521 | LH IDLER ARM |
| LS1012522 | PELICAN MAIN DRIVE CHAIN |
| LS1012671 | GASKET |
| LS1012683 | CLUTCH SNAP RING |
| LS1012956 | TAPERED KEY |
| LS1012957 | TAPERED KEY |
| LS1012971 | RH CONVEYOR SIDE DEFLECTOR |
| LS1012972 | LH CONVEYOR SIDE DEFLECTOR |

ELGIN

| | |
|-----------|-----------------------------|
| LS1012973 | RH TAKEUP WELDMENT |
| LS1013017 | RH JACK SHAFT |
| LS1013018 | SHAFT |
| LS1013019 | SHAFT |
| LS1013148 | HEAD WELDMENT |
| LS1013353 | S. BROOM LOWER SHAFT & HUB |
| LS1013494 | DIFFERENTIAL DRIVE SPROCKET |
| LS1013714 | UPPER WEATHER STRIPPING |
| LS1013715 | LOWER WEATHER STRIPPING |
| LS1013716 | SIDE WEATHER STRIPPING |
| LS1013717 | TOP WEATHER STRIPPING |
| LS1013852 | CLAMP |
| LS1013862 | GREASE ZERK CLIP |
| LS1013917 | DIRT DEFLECTOR ASSEMBLY |
| LS1013951 | HOPPER DOOR WELDMENT |
| LS1014101 | SCRAPER |
| LS1014102 | LH BEARING ADJUSTER |
| LS1014103 | RH BEARING ADJUSTER |
| LS1014269 | CLAMP STRIP W/STUDS |
| LS1014353 | SLEEVE WELDMENT |
| LS1014404 | HOPPER DOOR GASKET |
| LS1014405 | INSPECTION DOOR GASKET |

ASSEMBLIES SAVE YOU TIME & MONEY

Let Lecal Give You a Head Start!

Instead of individual parts, order whole completed machine sections. Look for the word "ASSEMBLY" (or "ASSY") in our product listings or just ask!

| | |
|-----------|-------------------------------------|
| LS1014422 | THROTTLE CABLE |
| LS1014523 | BACKING STRIP |
| LS1014525 | DEFLECTOR |
| LS1014527 | CENTER BOARD PLATE |
| LS1014529 | DEFLECTOR ASSEMBLY |
| LS1014533 | DEFLECTOR |
| LS1014534 | CONVEYOR BAFFLE |
| LS1014551 | CLAMP |
| LS1014661 | MAIN BROOM CHAIN COVER |
| LS1014667 | MAIN BROOM DRIVE BUSHING |
| LS1014796 | MAIN DRIVE CHAIN |
| LS1014897 | SAFETY WIRE, .051 DIA., 36-FT. COIL |
| LS1014928 | MACHINED DRIVE SPROCKET |
| LS1015192 | LOWER CLEVIS PLATE |
| LS1015193 | CLEVIS PLATE |
| LS1015204 | ADJUSTING SCREW CLEVIS |
| LS1015206 | CLUTCH BRAKE SHOE PLATE WELD. |
| LS1015210 | CLUTCH BRAKE ANGLE BRACKET |
| LS1015231 | DEFLECTOR WEIGHT |
| LS1015256 | OUTPUT SHAFT |
| LS1015305 | SUCTION NOZZLE GASKET |
| LS1015553 | CLAMP |
| LS1015686 | M. BROOM SUSPENSION CHAIN |

ELGIN

| | |
|-----------|--------------------------------|
| LS1015695 | MAIN BROOM SPRING CARRIAGE |
| LS1015699 | SPRING ANCHOR |
| LS1015791 | LH DOOR WELDMENT |
| LS1015792 | RH DOOR WELDMENT |
| LS1015801 | SPLICE KIT |
| LS1015857 | RH MAIN BROOM BELL CRANK |
| LS1015859 | LH MAIN BROOM BELL CRANK |
| LS1015868 | FUEL LEVEL SENDER |
| LS1015972 | SIDE BROOM PIVOT CLAMP |
| LS1015977 | S. BROOM MOUNTING BRACKET |
| LS1016042 | SPACER |
| LS1016043 | CLAMPING SPACER |
| LS1016048 | PIVOT |
| LS1016050 | M. BROOM ARM CUSHION STOP |
| LS1016053 | AIR CYLINDER |
| LS1016061 | PIN |
| LS1016097 | OUTER REAR NOZZLE RUBBER |
| LS1016098 | INNER REAR NOZZLE RUBBER |
| LS1016103 | HOSE CONNECTOR CATCH BAR |
| LS1016104 | HOSE CONNECTOR WELDMENT |
| LS1016172 | CHAIN |
| LS1016213 | MAIN BROOM PIVOT SHAFT |
| LS1016493 | COUNTER WEIGHT |
| LS1016494 | EXTENSION BROOM FRAME WELD. |
| LS1016510 | IDLER PULLEY |
| LS1016518 | DEFLECTOR SUPPORT ANGLE |
| LS1016519 | SPACER PIPE |
| LS1016555 | IDLER SPACER |
| LS1016558 | IDLER BEARING SPACER |
| LS1016564 | IDLER FORK WELDMENT |
| LS1016565 | IDLER BRACKET WELDMENT |
| LS1016616 | DIRT HOPPER DEFLECTOR |
| LS1016677 | CHAIN SHACKLE |
| LS1016684 | DEFLECTOR SHIM |
| LS1016688 | DEFLECTOR BRACKET WELDMENT |
| LS1016712 | RH TOW BAR BRACKET |
| LS1016713 | LH TOWBAR BRACKET |
| LS1016714 | S.BROOM LINKAGE TURNBUCKLE |
| LS1016715 | ROD END |
| LS1016717 | RH TOWBAR BRACKET |
| LS1016718 | LH TOWBAR BRACKET |
| LS1016730 | SLEEVE WELDMENT |
| LS1016731 | UPPER SUCTION HOSE GASKET |
| LS1016732 | GATE VALVE WELDMENT |
| LS1016733 | GATE VALVE WELDMENT |
| LS1016755 | NOZZLE RUNNER |
| LS1016756 | LH TOWBAR BRACKET |
| LS1016757 | RH TOWBAR BRACKET |
| LS1016763 | BANDED BELT, COGGED, 5 BANDS |
| LS1016894 | PIVOT PIN |
| LS1016895 | PIN |
| LS1016942 | RH DIRT SHOE ASSEMBLY |
| LS1016943 | LH DIRT SHOE ASSEMBLY |
| LS1016982 | PIN WELDMENT |
| LS1017426 | BUSHING, 1-1/2", TAPER-LOCKING |
| LS1017546 | S.B. LINKAGE BRACKET WELD. |
| LS1017549 | GARLOCK BUSHING |
| LS1017620 | SPACER TUBE |

LACAL HAS MANY MORE ITEMS AVAILABLE – JUST ASK!



LS1012407
LH Main Broom Arm



LS1016942
RH Dirt Shoe Assembly

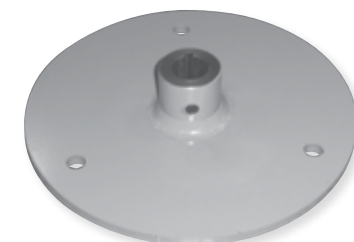
14 DIFFERENT PARTS



LS1016755
Nozzle Runner



LS1025993
Housing with Head (No Filter)



LS1010986
Gutter Broom Mounting Disc



LS1011839
Towbar Bushing



LS1016213
Main Broom Pivot Shaft

ELGIN

| | |
|-----------|------------------------------|
| LS1017792 | FLAP |
| LS1017830 | DEFLECTOR |
| LS1017909 | DEFLECTOR |
| LS1018010 | THRUST WASHER |
| LS1018016 | LUBRICATING HOSE |
| LS1018112 | PIVOT BLOCK |
| LS1018120 | TURNBUCKLE |
| LS1018129 | BRONZE BUSHING |
| LS1018153 | RH ROD END BEARING, THD. |
| LS1018154 | LH ROD END BEARING, THD. |
| LS1018205 | WASHER |
| LS1018414 | S.BROOM CYLINDER SPACER |
| LS1018415 | S.BROOM CYLINDER SPACER |
| LS1018961 | RUBBER STRIP |
| LS1019006 | FUEL RETURN TUBE |
| LS1019349 | GE CLAMPING STRIP |
| LS1019459 | HOSE |
| LS1019552 | SIDE BROOM BRACKET STIFFENER |
| LS1019589 | RETAINER PIN WELDMENT |
| LS1019590 | SPACER |
| LS1019591 | DRAWBAR ROD END |
| LS1019608 | SHUTTER WELDMENT |
| LS1019798 | SPACER |
| LS1019827 | DIRT DEFLECTOR |
| LS1019828 | CLAMP |
| LS1019854 | RUBBER STRIP |
| LS1019876 | SIDE BROOM SHOCK SPRING |
| LS1019888 | SPRING GUIDE |
| LS1019913 | REAR RUBBER MTG. BRACKET |
| LS1020243 | FLEXIBLE DRAW CATCH ASSEMBLY |
| LS1020312 | STAINLESS STEEL LOCKING PIN |
| LS1020313 | SUCTION NOZZLE |
| LS1020359 | LH ENG. COMP. HINGE WELDMENT |
| LS1020362 | RH ENG. COMP. HINGE WELDMENT |
| LS1020403 | GAS SPRING MOUNT |
| LS1020524 | SPACER |
| LS1020619 | LH MAIN BROOM ARM |
| LS1020630 | GUIDE WHEEL SEAL |

ELGIN

| | |
|-----------|------------------------------|
| LS1020796 | EXTENSION BROOM CURTAIN |
| LS1020806 | SS THREADED ROD |
| LS1020807 | SIDE BROOM TURNBUCKLE BODY |
| LS1020865 | SPACER |
| LS1020866 | ROD WELDMENT |
| LS1020871 | PIPE |
| LS1020875 | SIDE BROOM SPRING |
| LS1020902 | PIPE WELDMENT |
| LS1021051 | FLANGE BEARING |
| LS1021348 | FLAP |
| LS1021349 | CLAMP STRIP |
| LS1021366 | CYLINDER BRACKET SHAFT WELD. |
| LS1021367 | CYLINDER PIN WELDMENT |
| LS1021760 | G. BROOM CLUTCH PIN STOP |
| LS1021761 | BROOM DRIVE SPROCKET |
| LS1021767 | HUB |
| LS1022330 | ANCHOR SHACKLE |
| LS1022362 | IDLER ARM |
| LS1022382 | DIFFERENTIAL AXLE SPROCKET |
| LS1022475 | CABLE |
| LS1022650 | RH TAKE-UP WELDMENT |
| LS1022660 | PIN WELDMENT |
| LS1022733 | WASHER |
| LS1022740 | RH MAIN BROOM ARM |
| LS1022741 | LH MAIN BROOM ARM |
| LS1022771 | RH SIDE COVER |
| LS1022774 | LH SIDE COVER |
| LS1022844 | LH SHEET WELDMENT |
| LS1022881 | CONVEYOR DRIVE CHAIN |
| LS1023332 | BUSHING |
| LS1023338 | SIDE BROOM MOUNTING WELD. |
| LS1023353 | PIN WELDMENT |
| LS1023364 | MAIN BROOM STUB SHAFT |
| LS1023367 | FLAT WASHER |
| LS1023393 | RH CHANNEL WELDMENT |
| LS1023412 | ROD GUIDE |
| LS1023421 | LH CHANNEL WELDMENT |
| LS1023555 | RH MAIN BROOM ARM |

ELGIN

| | |
|-----------|---------------------------------|
| LS1023572 | LH MAIN BROOM ARM |
| LS1023674 | STRIP BRUSH |
| LS1023988 | V-BELT, BANDED, COGGED, 5 BANDS |
| LS1024012 | IDLER BRACKET WELDMENT |
| LS1024038 | HINGE ROD |
| LS1024125 | DEFLECTOR |
| LS1024284 | REAR CURTAIN |
| LS1024285 | CENTER BOARD WELDMENT |
| LS1024289 | TOWBAR ASSEMBLY |
| LS1024292 | SPHERICAL BEARING |
| LS1024329 | DEFLECTOR |
| LS1024330 | CURTAIN |
| LS1024331 | CENTER BOARD ASSEMBLY |
| LS1024332 | CURTAIN |
| LS1024333 | CLAMP |
| LS1024335 | INNER FRONT CURTAIN |
| LS1024359 | HOSE ASSEMBLY |
| LS1024414 | FRONT RUBBER MOUNT |
| LS1024430 | QUICK DISCONNECT |
| LS1024500 | SIDE BROOM CHAIN |
| LS1024502 | SNAP LINK |
| LS1024556 | SUCTION BLOCKING PLATE |
| LS1024611 | SIDE BROOM MOTOR BRACKET |
| LS1024925 | HOSE, .375" I.D. X 12.25" |
| LS1024928 | HOSE, .375" I.D. X 120.00" |
| LS1025068 | BELLOWS |
| LS1025337 | GROMMET |
| LS1025988 | BRASS SPRAY TIP |
| LS1025992 | SS FILTER CARTRIDGE |
| LS1025993 | HOUSING W/HEAD (NO FILTER) |
| LS1026283 | QUICK DISC GASKET |
| LS1026402 | TORQUE PLATE |
| LS1026543 | LH DIRT SHOE PLATE |
| LS1026544 | RH DIRT SHOE PLATE |
| LS1026757 | TOW BAR ASSEMBLY |
| LS1026758 | PIVOT |
| LS1026761 | TOW BAR WELDMENT |
| LS1026817 | SIDE BROOM PIVOT PIN |

BEFORE BUYING ELSEWHERE, GET AN ABSOLUTELY FREE QUOTE FROM LACAL!

ALL PARTS ARE GUARANTEED TO MEET WITH YOUR APPROVAL. Lecal Equipment, Inc. offers after-market parts for road and highway maintenance equipment. All original equipment manufacturer's names, drawings, colors and part numbers are used for identification purposes only. Lecal is in no way implying that any of our products are original equipment parts.

CONTACT US TODAY VIA PHONE 800.543.6161 or EMAIL SALES@LACAL.COM

ALL PARTS ARE GUARANTEED TO MEET WITH YOUR APPROVAL. Lecal Equipment, Inc. offers after-market parts for road and highway maintenance equipment. All original equipment manufacturer's names, drawings, colors and part numbers are used for identification purposes only. Lecal is in no way implying that any of our products are original equipment parts.

THESE ARE JUST SOME OF OUR MOST REQUESTED PRODUCTS...

ELGIN

| | |
|------------|--------------------------------|
| LS1027358 | CENTERBOARD CHAIN |
| LS1027438 | MOTOR HYDRAULIC, CORR. SHAFT |
| LS1027460 | HYDRAULIC BREATHER FILTER |
| LS1027511 | FILL PLUG |
| LS1027610 | PVC PIPE, 1.50" X 57.50" |
| LS1027612 | PVC PIPE, 1.50" X 32.00" |
| LS1027613 | PVC PIPE, 1.50" X 6.00" |
| LS1027867 | SHEAR PIN ASSEMBLY |
| LS1027968 | NOZZLE BRACKET WELDMENT |
| LS1028114 | PIVOT PIN WELDMENT |
| LS1028308 | IMPELLER SHAFT SEAL |
| LS1028409 | CHAIN |
| LS1028425 | LH ENGINE COMP. HINGE WELD. |
| LS1028426 | RH ENGINE COMP. HINGE WELD. |
| LS1028436 | BATTERY BOX BRACKET |
| LS1029423 | SIDE BROOM RETURN SPRING |
| LS1029438 | SPACER |
| LS1029442 | SIDE BROOM PIN |
| LS1029451 | G.B. MOTOR MOUNTING DISC WELD |
| LS1029483 | FRONT CURTAIN |
| LS1029940 | M.B. COUPLING & COLLAR KIT |
| LS1029941 | LOCK COLLAR, 2 PC., 3" I.D. |
| LS1029942 | STEEL SPLIT LOCK COLLAR, 2 PC. |
| LS1029990 | QUICK ATTACH FLANGE |
| LS1029999 | LH DIRT SHOE WELDMENT |
| LS1030401 | RH DIRT SHOE WELDMENT |
| LS1030404 | TOWBAR ASSEMBLY, "G" |
| LS1030405 | FRONT CURTAIN MTG. CHANNEL |
| LS1030408 | CURTAIN MOUNTING ANGLE |
| LS1030424 | INSPECTION DOOR WELDMENT |
| LS1030469 | WATER HOSE, 19" |
| LS1030477 | FRONT CURTAIN ASSEMBLY |
| LS1030532 | REAR CURTAIN SUB ASSEMBLY |
| LS1030533 | INNER CURTAIN ASSEMBLY |
| LS1030598 | GREASE NIPPLE W/ZERK |
| LS1030623 | SIDE BROOM SHOCK MOUNT |
| LS1030743 | IDLER BOLT STOP |
| LS1030744R | RUBBER PRESSURE SLOT CURTAIN |
| LS1030745 | CLAMP |
| LS1030745 | CLAMP |
| LS1030745 | CLAMP |
| LS1030810 | PRESSURE SLOT BRACKET |
| LS1030830 | SPRING LINK PLATE |
| LS1030862 | BRASS SPRAY NOZZLE |
| LS1031022 | S.B. LINKAGE BRACKET WELD. |
| LS103103 | RH DRAG SHOE PLATE |
| LS1031165 | PIN WELDMENT |
| LS1031176 | CROSSWIND B PICKUP HEAD |
| LS1031200 | TURNBUCKLE BODY |
| LS1031255 | GUTTER BROOM LINK |
| LS1031296 | PULLEY MOUNTING PLATE WELD. |
| LS1031390 | AIR SOLENOID VALVE |
| LS1031392 | SPRING ANCHOR WELDMENT |
| LS1031412 | SPRAY BAR WELD., 1/2" PIPE |
| LS1031440 | MOUNTING FRAME END |
| LS1031597 | LUBRICATING HOSE |
| LS1031625 | HYDRAULIC CYLINDER ASSEMBLY |
| LS1031769 | SAFETY SNAP PIN |

ELGIN

| | |
|-----------|------------------------------------|
| LS1031809 | STEERING CYLINDER ASSEMBLY |
| LS1031823 | GATE VALVE TOGGLE SWITCH |
| LS1031923 | PREACHER STAND GASKET |
| LS1031966 | BRAKE POWER ASSIST |
| LS1031969 | LH EXTENDED WINDOW, CLEAR |
| LS1031970 | RH EXTENDED WINDOW, CLEAR |
| LS1032004 | INSPECTION DOOR GASKET |
| LS103203 | LH DRAG SHOE PLATE |
| LS1032085 | HYDRAULIC FILTER ELEMENT |
| LS1032379 | OUTER SPRING |
| LS1032481 | 16'-8" WATER FILL HOSE |
| LS1032484 | WATER FILL HOSE ASSY, 25-FT. |
| LS1032761 | ROCKER SWITCH |
| LS1032764 | ROCKER SWITCH, MOM-OFF-MOM 12V |
| LS1032829 | BARBED FITTING |
| LS1032832 | SHOCK MOUNT WASHER |
| LS1032974 | ATOMIZING SPRAY NOZZLE |
| LS1032976 | HOSE, 13" I.D. X 42" LG X 3" CUFFS |
| LS1032981 | SS SPRAY NOZZLE |
| LS1032982 | SS SPRAY NOZZLE |
| LS1032990 | IGNITION SWITCH W/KEYS |
| LS1032991 | POWER RELAY |

LACAL REBUILDS STREET SWEEPERS

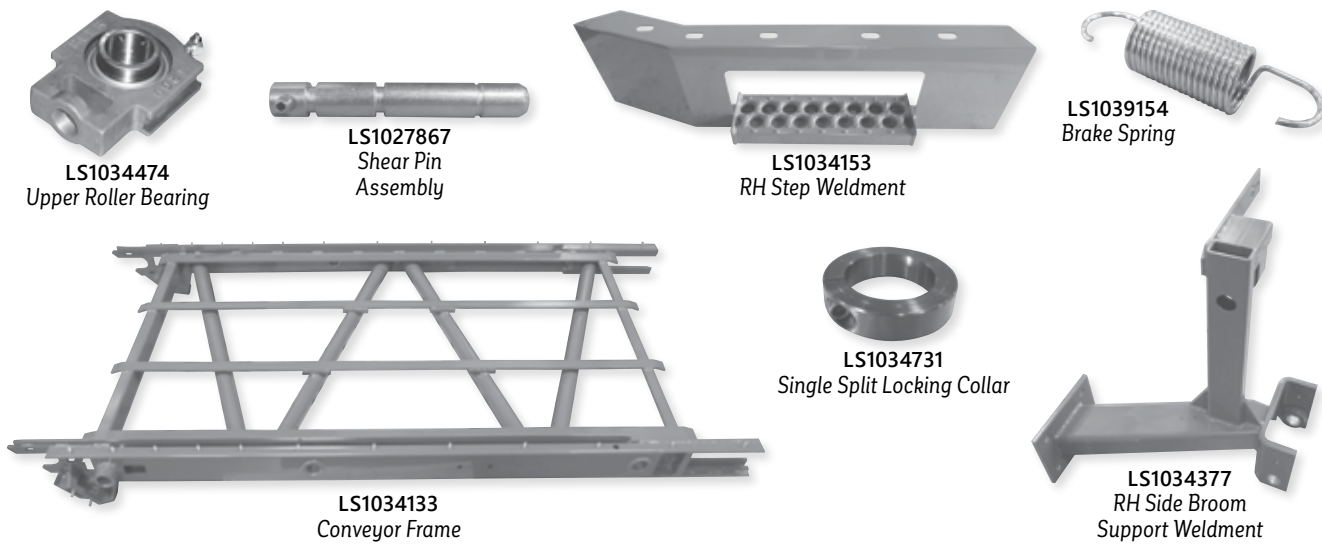
See pages 18-21 to discover what our Street Sweeper Rebuilding Service can do for you, then call **800.543.6161** for more info.

| | |
|-----------|-------------------------------|
| LS1033078 | EXT TUBE WELDMENT |
| LS1033201 | THROTTLE CABLE ASSEMBLY |
| LS1033242 | LOWER WEATHERSTRIPPING |
| LS1033243 | LONG SIDE WEATHERSTRIPPING |
| LS1033244 | SHORT SIDE WEATHERSTRIPPING |
| LS1033245 | TOP WEATHERSTRIPPING |
| LS1033256 | SIDE BOARD ASSEMBLY |
| LS1033302 | CENTER WEATHERSTRIP |
| LS1033338 | CURTAIN |
| LS1033339 | DEFLECTOR |
| LS1033377 | CROSS CHANNEL DIRT DEFLECTOR |
| LS1033600 | ROCKER SWITCH, ON-OFF-ON, 12V |
| LS1033601 | WATER VALVE ASSEMBLY |
| LS1033645 | 6 BLADE FAN, PUSHER |
| LS1033752 | SIDE BROOM LIGHT SWITCH |
| LS1033805 | BRACKET |
| LS1033828 | PIN WELDMENT |
| LS1033847 | RH DOUBLE ROW SHOE W/PLATE |
| LS1033848 | LH DOUBLE ROW SHOE W/PLATE |
| LS1033862 | RH NOZZLE LOCKING WELDMENT |
| LS1033863 | LH NOZZLE LOCKING WELDMENT |
| LS1033869 | FLAT WASHER, 1/4, ZINC, 1" OD |
| LS1034100 | EAGLE E DIRT HOPPER |
| LS1034107 | EAGLE F DIRT HOPPER, EARLY |

ELGIN

| | |
|-------------|----------------------------------|
| LS1034133 | CONVEYOR FRAME |
| LS1034133J | TOW BAR PIN MOUNTING BUSHING |
| LS1034137 | REAR PANEL WELDMENT |
| LS1034138 | LH REAR DOOR |
| LS1034140 | LH SIDE DOOR |
| LS1034141 | RH SIDE DOOR |
| LS1034146 | HOPPER SIDE PANEL, "F" |
| LS1034147 | UPPER PANEL, HOPPER, RH END |
| LS1034148 | HOPPER DOOR PANEL |
| LS1034152 | LH SIDE WELDMENT |
| LS1034153 | RH STEP WELDMENT |
| LS1034164 | HOPPER DOOR UPPER PANEL |
| LS1034165 | HOPPER DOOR LOWER PANEL |
| LS1034167 | PANEL INSTALL KIT |
| LS1034168 | HOPPER SIDE PANEL |
| LS1034277 | HOPPER TILT CYLINDER PIN |
| LS1034281 | DOOR CYLINDER PIN |
| LS1034284 | LOWER DOOR PIVOT PIN |
| LS1034285 | CYLINDER PIN |
| LS1034291 | CHANNEL |
| LS1034299 | EAGLE GUTTER BROOM DISC WELD. |
| LS1034332 | EAGLE E LOWER HOPPER GATE |
| LS1034377 | RH SIDE BROOM SUPPORT WELD. |
| LS1034381 | GUTTER BROOM LINK PIN, 3/4" |
| LS1034381SP | PIN WELDMENT, +1/2" LENGTH |
| LS1034424 | SCREW |
| LS1034424SS | SS ADJUSTER SCREW |
| LS1034427 | LH CONVEYOR SIDE COVER |
| LS1034428 | RH CONVEYOR SIDE COVER |
| LS1034431 | DEFLECTOR WEIGHT |
| LS1034439 | ROLLER SCRAPER ANGLE |
| LS1034440 | BELT SCRAPER |
| LS1034441 | BELT SCRAPER CLAMP |
| LS1034443 | RH CONVEYOR SEAL PLATE |
| LS1034444 | LH CONVEYOR SEAL PLATE |
| LS1034450 | SPACER PLATE |
| LS1034456 | TOP SEAL |
| LS1034465 | MOUNTING BRACKET |
| LS1034473 | LOWER ROLLER BEARING |
| LS1034474 | UPPER ROLLER BEARING |
| LS1034507 | BRONZE BUSHING |
| LS1034508 | EAGLE UPPER ROLLER |
| LS1034508HD | HD STD. FRAME UPPER ROLLER |
| LS1034509 | EAGLE LOWER ROLLER |
| LS1034525 | MAIN BROOM AIR SPRING |
| LS1034525A | MAIN BROOM AIR SPRING |
| LS1034539 | PIVOT SHAFT |
| LS1034561 | SPACER WELDMENT |
| LS1034588 | SEAL |
| LS1034657 | HIGH DUMP HOPPER GATE |
| LS1034720 | EAGLE CONVEYOR BELT, 48" X 18-FT |
| LS1034731 | SINGLE SPLIT LOCKING COLLAR |
| LS1034734 | RH MOUNTING BRACKET ASSY |
| LS1034735 | LH MOUNTING BRACKET ASSY |
| LS1034755 | AIR SPRING |
| LS1034780 | THROTTLE CABLE ASSY |
| LS1034847 | HOSE ASSEMBLY |
| LS1034850 | HOSE ASSEMBLY |

LACAL HAS MANY MORE ITEMS AVAILABLE – JUST ASK!



ELGIN

| | |
|-----------|--------------------------------|
| LS1034857 | HOSE ASSEMBLY |
| LS1034860 | HOSE ASSEMBLY |
| LS1034878 | SPACER |
| LS1035029 | SIDE SEAL |
| LS1035030 | RETAINING STRIP |
| LS1035031 | HOPPER SEAL RETAINING STRIP |
| LS1035110 | WATER CONTROLS MOUNT |
| LS1035140 | RUBBER MAIN BROOM DEFLECTOR |
| LS1035141 | BACKING BAR |
| LS1035148 | ADJUSTING SCREW PLATE |
| LS1035206 | CONVEYOR SPACER |
| LS1035209 | SILENCER PLUG |
| LS1035212 | MALE SWIVEL ADAPTER |
| LS1035218 | PLATE |
| LS1035285 | OVERFLOW TANK W/CAP |
| LS1035330 | HOSE ASSEMBLY |
| LS1035354 | HOPPER PIVOT APRON |
| LS1035382 | HOPPER COVER |
| LS1035422 | EXHAUST TUBE WELDMENT, E/F |
| LS1035436 | BEARING SEAL |
| LS1035437 | SEAL |
| LS1035470 | PIVOT APRON RETAINER |
| LS1035480 | LH DIRT SHOE ASSEMBLY |
| LS1035481 | RH DIRT SHOE ASSEMBLY |
| LS1035484 | LH DIRT SHOE PLATE |
| LS1035485 | RH DIRT SHOE PLATE |
| LS1035486 | RUNNER CLAMP |
| LS1035563 | EAGLE E-F REAR PANEL ASSY 2004 |
| LS1035587 | CONVEYOR ROTATE SWITCH |
| LS1035589 | HOPPER UP/SERV FILT LT |
| LS1035591 | HOPPER LIFT/LOWER SWITCH |
| LS1035597 | CLAMP |
| LS1035601 | EYE BOLT |
| LS1035668 | ADHESIVE STRIP |
| LS1035669 | 5/8" RUBBER STRIP |
| LS1035670 | RUBBER STRIP, 5/8" |
| LS1035672 | ADHESIVE STRIP |
| LS1035706 | HOSE ASSEMBLY |

ELGIN

| | |
|-----------|-------------------------------|
| LS1035708 | HOSE ASSEMBLY |
| LS1035736 | REAR RADIATOR SUPPORT |
| LS1035765 | LH SIDE COVER |
| LS1035766 | RH SIDE COVER |
| LS1035866 | COVER |
| LS1035882 | PIPE NIPPLE |
| LS1035884 | REDUCER (MODIFIED) |
| LS1035911 | CLEVIS PIN |
| LS1035916 | RUBBER STOP |
| LS1035982 | LH RUNNER DIRT SHOE |
| LS1035985 | RH RUNNER DIRT SHOE |
| LS1035987 | DEFLECTOR |
| LS1035988 | BACKING BAR |
| LS1036036 | CURTAIN |
| LS1036056 | DIRT DEFLECTOR EXT. |
| LS1036182 | G-SPACER |
| LS1036256 | HOSE, 14" ID X 30" W/3" CUFFS |
| LS1036378 | DEFLECTOR |
| LS1036399 | FUEL & WATER TANK STRAP |
| LS1036466 | PRESSURE REDUCING VALVE |
| LS1036467 | QUICK RELEASE VALVE |
| LS1036503 | IDLER BEARING BUSHING |
| LS1036590 | GAS SPRING |
| LS1036645 | ANGLE |
| LS1036679 | SANDWICH MOUNT |
| LS1036701 | RH FENDER WELDMENT |
| LS1036752 | 3 WAY BALL VALVE, 1" |
| LS1036754 | BRACKET |
| LS1036887 | CASTER RIG W/WHEEL ASSEMBLY |
| LS1036953 | PLAIN WASHER |
| LS1037043 | DUST SEPARATOR DOOR WELD. |
| LS1037085 | SHEAVE |
| LS1037086 | BUSHING |
| LS1037131 | LINK ADJUSTER |
| LS1037152 | PRESSURE PROTECTION VALVE |
| LS1037159 | ADJUSTER ROD |
| LS1037225 | COUNTER WEIGHT |
| LS1037340 | S.BROOM MOUNTING DISC WELD |

ELGIN

| | |
|-----------|--------------------------|
| LS1037375 | DEFLECTOR |
| LS1037379 | SPRING RETAINING BRACKET |
| LS1037396 | DIRT DEFLECTOR KIT |
| LS1037535 | SPROCKET |
| LS1037536 | SPROCKET |
| LS1037774 | PELICAN UPPER ROLLER |
| LS1037840 | FUEL TANK FILL CAP |
| LS1037841 | OVER CENTER LATCH |
| LS1037905 | PRESSURE SWITCH ASSEMBLY |
| LS1038113 | PIN |
| LS1038116 | PIVOT ARM WELDMENT |
| LS1038117 | PIVOT BLOCK WELDMENT |
| LS1038120 | PIVOT BLOCK ASSEMBLY |
| LS1038213 | CLIP NUT |
| LS1038400 | TORQUE ARM |
| LS1038563 | NOZZLE MOUNT WELDMENT |
| LS1038564 | PIVOT PLATE |
| LS1038601 | COVER SUPPORT WELDMENT |
| LS1038613 | LH BROOM COVER |
| LS1038652 | CURTAIN |
| LS1039090 | CHAIN |
| LS1039154 | BRAKE SPRING |
| LS1039200 | GUIDE WHEEL HUB CAP |
| LS1039206 | TUBE-SPACER |
| LS1039287 | SPACER WELDMENT |
| LS1039291 | THROTTLE CABLE |
| LS1039308 | WASHER |
| LS1039503 | H/P WASH DOWN PUMP |
| LS1039588 | 1-1/2 WATER HOSE |
| LS1039694 | BROOM ARBOR ASSEMBLY |
| LS1039695 | FIBER GUARD |
| LS1039699 | BROOM ARBOR WELDMENT |
| LS1039889 | LINEAR ACTUATOR |
| LS1039950 | HINGE |
| LS1039984 | MAIN BROOM KIT |
| LS1040010 | BRASS SPRAY NOZZLE |
| LS1040011 | BRASS SPRAY NOZZLE |
| LS104003 | PIN WELDMENT |

BEFORE BUYING ELSEWHERE, GET AN ABSOLUTELY FREE QUOTE FROM LACAL!

CONTACT US TODAY VIA PHONE 800.543.6161 or EMAIL SALES@LACAL.COM

ALL PARTS ARE GUARANTEED TO MEET WITH YOUR APPROVAL. Local Equipment, Inc. offers after-market parts for road and highway maintenance equipment. All original equipment manufacturer's names, drawings, colors and part numbers are used for identification purposes only. Local is in no way implying that any of our products are original equipment parts.

ALL PARTS ARE GUARANTEED TO MEET WITH YOUR APPROVAL. Local Equipment, Inc. offers after-market parts for road and highway maintenance equipment. All original equipment manufacturer's names, drawings, colors and part numbers are used for identification purposes only. Local is in no way implying that any of our products are original equipment parts.

THESE ARE JUST SOME OF OUR MOST REQUESTED PRODUCTS...

ELGIN

| | |
|-------------|--------------------------------|
| LS104006 | HYD MOTOR MOUNTING BRACKET |
| LS1040065 | WATER HOSE, 10" LONG |
| LS1040066 | HOSE, .375" X 19" |
| LS1040086 | SCREW-SOCK HD SHOULDER |
| LS1040087 | SPRING-DISC WASHER |
| LS104009 | PIN |
| LS1040091 | BROOM ARBOR ASSEMBLY |
| LS1040092 | BROOM ARBOR |
| LS1040092C | WELDMENT FLANGE |
| LS1040092X | BROOM ARBOR W/COMP. RUBBER |
| LS104011 | BRONZE WASHER |
| LS1040114 | SIDE BROOM NOZZLE BRACKET |
| LS1040123 | CENTER BOARD, ASSEMBLED |
| LS1040124 | CENTERBOARD WELDMENT |
| LS1040126 | CENTERBOARD CURTAIN |
| LS1040244 | SIDE BROOM MOTOR MOUNT |
| LS1040394 | PICKUP HEAD STOP KIT |
| LS1040400 | SPACER |
| LS1040410 | ROLLER |
| LS1040448 | INLET SHROUD |
| LS1040455 | WINDSHIELD WIPER MOTOR |
| LS104046 | UPPER ARM WELDMENT |
| LS1040603 | RH COVER WELDMENT |
| LS1040604 | LH COVER WELDMENT |
| LS1040670 | EYE BOLT |
| LS1040769 | PIN WELDMENT |
| LS1040817 | LH COVER WELDMENT |
| LS1040819 | RH LOWER SHEET WELDMENT |
| LS1040934 | DUST CAP |
| LS1041045 | SIDE BROOM ASSEMBLY LATCH |
| LS1041221-P | POLY DEFLECTOR |
| LS1041221-R | RUBBER DEFLECTOR |
| LS1041222 | RETAINER STRIP |
| LS1041223 | COVER |
| LS1041238 | PRESSURE REG. VALVE |
| LS1041287 | BROOM COVER |
| LS1041310 | MAIN BROOM COVER SPRING |
| LS1041316 | LH BROOM ARM STOP WELDMENT |
| LS1041329 | RH BROOM ARM STOP WELDMENT |
| LS1041330 | CENTERBOARD CURTAIN |
| LS1041331 | CENTER BOARD ASSEMBLY |
| LS1041367 | CONVEYOR CURTAIN |
| LS1041409 | 4-BOLT GUTTER BROOM MOTOR |
| LS1041516 | CURTAIN MOUNTING ANGLE |
| LS1041572 | 1 CLEAT BELT SECTION, NO HOLES |
| LS1041573 | 2 CLEAT BELT SECTION, NO HOLES |
| LS1041605 | HOSE ASSEMBLY |
| LS1041658 | COMPRESSION RUBBER |
| LS1041729 | CENTER BROOM MOTOR |
| LS1041795 | RH NOZZLE LOCK MTG. BRACKET |
| LS1041796 | LH NOZZLE LOCK MTG. BRACKET |
| LS1041801 | HOPPER SCREEN WELDMENT (1PC) |
| LS1041807 | BALL SOCKET FIELD KIT |
| LS1041866 | LINEAR ACTUATOR |
| LS1041867 | LEVER WELDMENT |
| LS1041936 | CURTAIN |
| LS1041937 | DOOR WELDMENT |
| LS1041940 | HOSE CLAMP, 13" |

ELGIN

| | |
|-----------|--------------------------------|
| LS1041942 | CONVEYOR HYDRAULIC MOTOR |
| LS104205 | SIDE BROOM BRUSH MOUNT |
| LS1042051 | THRUST BEARING |
| LS1042074 | UPPER CONVEYOR HANGER |
| LS1042075 | DRIVE PIN |
| LS1042076 | LOWER CONVEYOR HANGER |
| LS1042080 | BALANCE SPRING TUBE |
| LS1042097 | RH S.B. MOTOR MOUNTING BRACKET |
| LS1042098 | LH S.B. MOTOR MOUNTING BRACKET |
| LS1042143 | CLEAN-OUT DOOR WELDMENT |
| LS1042156 | MAIN BROOM COUNTERWEIGHT |
| LS1042289 | LOWER ROLLER |
| LS1042374 | MOTOR COVER MOUNTING BRKT |
| LS1042375 | MOTOR COVER |
| LS1042382 | SPACER PLATE |
| LS1042465 | PRESSURE SLOT BRACKET, BAH |
| LS1042504 | CHAIN |
| LS1042530 | MAIN BROOM HYDRAULIC MOTOR |
| LS1042629 | SOLENOID VALVE ASSY |
| LS1042664 | CONVEYOR DRIVE CHAIN COVER |
| LS1042702 | TOWBAR PIN |
| LS1042727 | WELD-ON COLLAR |

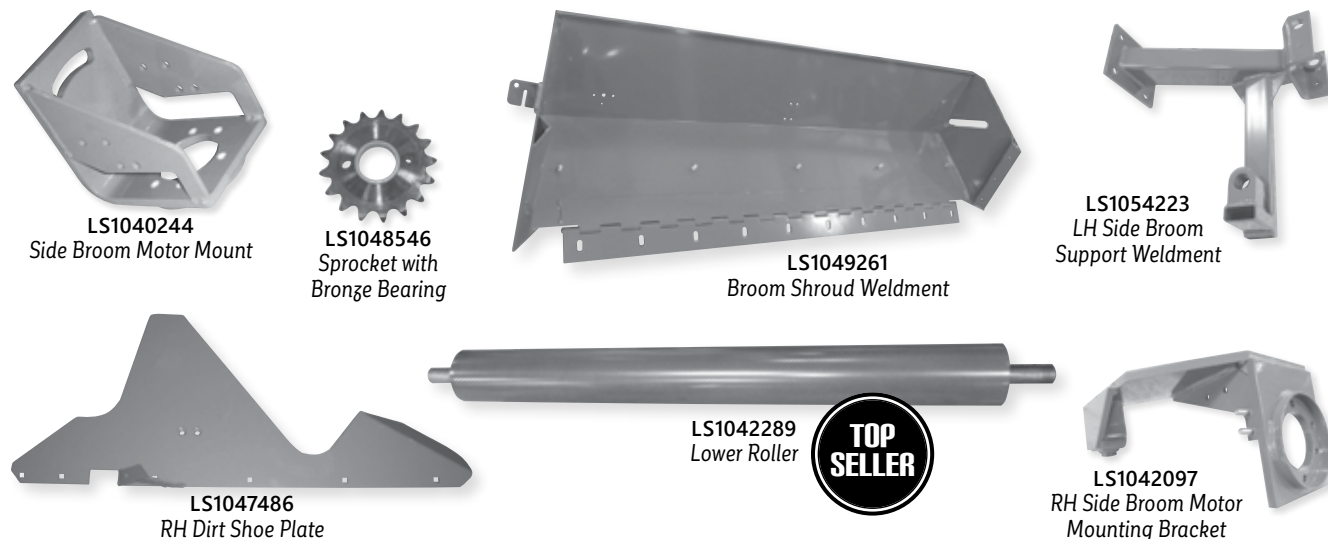
WAIT... I DON'T SEE THE PART I NEED!
 Call **800.543.6161** to access our entire inventory of parts. This catalog is only a portion of the quality replacement parts that Local Equipment offers!

| | |
|---------------|-----------------------------|
| LS1042728 | TOWBAR PIN REPLACEMENT |
| LS1042729 | TOWBAR PIN REPLACEMENT KIT |
| LS1042810 | MOTOR PLATE |
| LS1042811 | MOTOR PLATE |
| LS1042812 | CHAIN |
| LS1042826 | CROSS BAR WELDMENT |
| LS1042839 | HYDRAULIC PUMP |
| LS1042874 | BROOM COVER, FRONT SUPPORT |
| LS1042881 | SIDE BROOM DISC |
| LS1042881B | HUB |
| LS1042895 | PELICAN SE STEP WELDMENT |
| LS1042994 | REAR DOOR |
| LS1043033 | RH SIDE BROOM MOUNTING ASSY |
| LS1043035 | RH SIDE BROOM MOUNTING WELD |
| LS1043036 | LH SIDE BROOM MOUNTING ASSY |
| LS1043038 | LH SIDE BROOM MOUNTING WELD |
| LS1043115 | UPPER FAN HOUSING W/LINATEX |
| LS1043131 | BAH PICKUP HEAD, G/GE |
| LS1043131A1 | CROSSWIND G PICKUP HEAD KIT |
| LS1043131ASSY | PICKUP HEAD ASSEMBLY |
| LS1043146 | PICKUP HEAD KIT |
| LS10431461 | C'WIND GE PICKUP HEAD ASSY |
| LS1043146ASSY | PICKUP HEAD, ASSEMBLED |

ELGIN

| | |
|-----------|-------------------------------------|
| LS1043160 | NOZZLE |
| LS1043234 | SELF LUBED BEARING |
| LS1043235 | SELF LUBE BEARING |
| LS1043236 | BEARING |
| LS1043343 | AIR SOLENOID VALVE ASSEMBLY |
| LS1043475 | BROOM LIFT WELDMENT |
| LS1043479 | CONNECTING LINK |
| LS1043528 | HYDRAULIC MOTOR |
| LS1043616 | REAR SHROUD CENTER LATCH |
| LS1043628 | RH MAIN BROOM ARM |
| LS1043652 | S.BROOM MOTOR MOUNT WELD. |
| LS1043658 | EAGLE MAIN BROOM ARM |
| LS1043668 | SIDE BROOM U-JOINT |
| LS1043669 | JACK SHAFT U-JOINT |
| LS1043801 | DIRT HOPPER W/GATE |
| LS1043825 | COUPLING |
| LS1043862 | SPRING GUIDE ROD |
| LS1043892 | LOWER STRUT WELDMENT |
| LS1043894 | UPPER STRUT WELDMENT |
| LS1044101 | HD/AR LOWER ROLLER WELDMENT |
| LS1044122 | HOPPER DOOR |
| LS1044187 | WEATHERSTRIP, 2.00 X 90 |
| LS1044538 | HD ROLLER BEARING |
| LS1044630 | SB SHEAR PIN KNOB |
| LS1044727 | LH SIDE DEFLECTOR |
| LS1044728 | RH SIDE DEFLECTOR |
| LS1044753 | POP RIVET |
| LS1044775 | BEARING CAP RETAINER |
| LS1044915 | CURTAIN |
| LS1045127 | INLET RING |
| LS1046004 | RH SIDE BROOM LATCH WELDMENT |
| LS1046005 | LH SIDE BROOM LATCH WELDMENT |
| LS1046039 | PNEUMATIC VALVE ASSY, 1/8" PO PLATE |
| LS1046095 | PLATE |
| LS1046618 | PUMP, ELECTRIC/WATER |
| LS1046723 | CONVEYOR COVER UPPER HALF |
| LS1046725 | CONVEYOR COVER LOWER HALF |
| LS1046751 | RH MOTOR MOUNT, TILT OPTION |
| LS1046752 | LH MOTOR MOUNT, TILT OPTION |
| LS1046822 | REAR DOOR |
| LS1046834 | BLIND HANDLE, KEYED |
| LS1046845 | REAR DOOR HINGE |
| LS1046847 | LH SIDE DOOR WELDMENT |
| LS1046848 | RH SIDE DOOR WELDMENT |
| LS1047024 | AIR CLEANER |
| LS1047485 | LH DIRT SHOE PLATE |
| LS1047486 | RH DIRT SHOE PLATE |
| LS1047487 | LH DIRT SHOE ASSEMBLY |
| LS1047488 | RH DIRT SHOE ASSEMBLY |
| LS1047602 | CHAIN |
| LS1047684 | SPRING ADJ. BRACKET |
| LS1047693 | LH EAGLE TOWBAR ASSEMBLY |
| LS1047694 | RH EAGLE TOWBAR ASSEMBLY |
| LS1047695 | LH TOWBAR WELDMENT W/BUSH |
| LS1047696 | RH TOWBAR WELDMENT W/BUSH |
| LS1047701 | RH EXTENDED WINDOW, CLEAR |
| LS1047702 | LH EXTENDED WINDOW, CLEAR |
| LS1047988 | HD LOWER ROLLER |

LACAL HAS MANY MORE ITEMS AVAILABLE – JUST ASK!



ELGIN

| | |
|-------------|------------------------------|
| LS1047989 | HD UPPER ROLLER, HD FRAME |
| LS1048040 | LINATEX, INSPECTION COVER |
| LS1048045 | INSPECTION COVER GASKET |
| LS1048058 | INSPECTION DOOR W/LINER |
| LS1048214 | V-BELT |
| LS1048218 | SLEEVE-SPACER |
| LS1048254 | LOWER BLOWER HSG. W/LINATEX |
| LS1048323 | BLOCK |
| LS1048326 | TURNBUCKLE |
| LS1048331 | PIVOT PIN |
| LS1048350 | COUNTER BALANCE BLOCK WEIGHT |
| LS1048376 | HOSE ASSEMBLY |
| LS1048377 | HOSE ASSEMBLY |
| LS1048378 | HOSE ASSEMBLY |
| LS1048412 | IMPELLER SHAFT |
| LS1048546 | SPROCKET W/BRONZE BEARING |
| LS1048596 | PRESSURE SWITCH, 3 PSI, N/C |
| LS1048609 | RH BR LINK BRACKET WELDMENT |
| LS1048610 | LH BR LINK BRACKET WELDMENT |
| LS1048741 | TAKE-UP BEARING |
| LS1048774 | SIDE DOOR WEATHERSTRIP |
| LS1048775 | SIDE DOOR WEATHERSTRIP |
| LS1048909 | WATER LEVEL SENDER |
| LS1049107 | AIR PRESSURE SWITCH, 40-PSI |
| LS1049108 | AIR PRESSURE SWITCH, 70-PSI |
| LS1049109 | LH WINDOW LATCH ASSY W/HDW |
| LS1049110 | RH WINDOW LATCH ASSY W/HDW |
| LS1049160 | TRIM SEAL-PUSH ON |
| LS1049161 | TRIM SEAL-PUSH ON |
| LS1049179 | RUBBER MAIN BROOM COVER |
| LS1049201 | IMPELLER/SHAFT/SHEAVE KIT |
| LS1049261 | BROOM SHROUD WELDMENT |
| LS1049261EL | LH CHAIN BRACKET |
| LS1049269 | TUBE HANGER BRACKET |
| LS1049270 | COVER HANGER TUBE |
| LS1049303 | PUSH BUTTON SWITCH |
| LS1049315 | CHAIN ASSEMBLY |
| LS1049373 | SPACER BAR |

ELGIN

| | |
|------------|--------------------------------|
| LS1049375 | HOSE, 8" X 168" W/4" CUFFS |
| LS1049388 | PNEUMATIC FILTER/REGULATOR |
| LS1049444 | AIR VALVE |
| LS1049569 | BROOM COVER. INNER, COATED |
| LS1049629 | RH SIDE BROOM BRACKET |
| LS1049630 | LH SIDE BROOM BRACKET |
| LS1049631 | DEFLECTOR |
| LS1049666 | MAIN BROOM COVER |
| LS1049755 | MAIN BROOM COVER, SUSP. KIT |
| LS1049815 | RH BROOM COVER |
| LS1049818 | MOTOR COVER BRUSH KIT |
| LS10500091 | CENTER BROOM BRUSH ASSY |
| LS10500391 | CENTER BRUSH CHANNEL WELD |
| LS1050050 | HOPPER DOOR SEAL, 291.50" LG. |
| LS1050104 | FAN HOUSING |
| LS1050119 | FRONT PLATE WELDMENT |
| LS1050120 | FAN DUCT WELDMENT |
| LS1050133 | INSPECTION DOOR WELDMENT |
| LS1050177 | STD BROOM DISC WELDMENT |
| LS1050290 | HOOK TUBE |
| LS1050466 | HOPPER PIN |
| LS1050468 | SIDE BROOM PIVOT CLAMP |
| LS1050472 | ROD |
| LS1050731 | FLANGE BEARING |
| LS1051098 | CLAMP W/HOOK BOLT, 11" |
| LS1051128 | CHAIN |
| LS1051391 | FRONT CURTAIN |
| LS1051392 | CLAMP STRIP |
| LS1051411 | EXHAUST CLAMP |
| LS1051446 | SPACER |
| LS1051454 | GEOVAC SUCTION HOSE, 11" X 65" |
| LS1051555 | HOUSING MOUNT PLATE |
| LS1051557 | INSPECTION DOOR ASSEMBLY |
| LS1051583 | SCRAPER WELDMENT |
| LS1051596 | HOPPER DOOR PROP |
| LS1051751 | PIVOT PIN |
| LS1051755 | CLAMP, 8" POWER |
| LS1051756 | RUBBER GASKET |

ELGIN

| | |
|-----------|--------------------------------|
| LS1051878 | WANDERING HOSE, 8" X 8.5-FT. |
| LS1051957 | GATE VALVE COVER PLATE |
| LS1052013 | PICKUP HEAD ASSY, C'WIND G |
| LS1052070 | LINATEX LINED LOWER FAN HSG |
| LS1052182 | IDLER ASSEMBLY |
| LS1053020 | LH MAIN BROOM ARM |
| LS1053021 | RH MAIN BROOM ARM |
| LS1053022 | LH UPPER MAIN BROOM ARM |
| LS1053023 | RH MAIN BROOM ARM |
| LS1053082 | PIN WELDMENT |
| LS1053085 | DIRT SHOE CLAMP |
| LS1053093 | 1-1/2" SINGLE SPLIT SET COLLAR |
| LS1053227 | WATER TANK |
| LS1053389 | PIVOT BEARING ASSEMBLY |
| LS1053447 | CURTAIN |
| LS1053503 | FUEL HOSE |
| LS1053604 | SPACER |
| LS1053640 | CONVEYOR WASHOUT PIPE |
| LS1053650 | BUMP STOP SPACER |
| LS1053861 | COVER KIT |
| LS1053918 | POSITION SENDER |
| LS1054041 | RED LENS INSERT |
| LS1054060 | HOSE ASSEMBLY |
| LS1054099 | ADJ LEVER ARM |
| LS1054102 | PIVOT SHAFT WELDMENT |
| LS1054104 | PIVOT BLOCK WELDMENT |
| LS1054105 | PIVOT BLOCK ASSEMBLY |
| LS1054130 | RH DIRT SHOE PLATE |
| LS1054131 | LH DIRT SHOE PLATE |
| LS1054132 | RH DIRT SHOE ASSEMBLY |
| LS1054133 | LH DIRT SHOE ASSEMBLY |
| LS1054136 | DEFLECTOR |
| LS1054153 | CURTAIN CLAMP |
| LS1054185 | CLAMP |
| LS1054223 | LH SIDE BROOM SUPPORT WELD |
| LS1054230 | RH DEFLECTOR PLATE |
| LS1054231 | LH DEFLECTOR PLATE |
| LS1054243 | SPRING-ADJUSTING ARM |

BEFORE BUYING ELSEWHERE, GET AN ABSOLUTELY FREE QUOTE FROM LACAL!

ALL PARTS ARE GUARANTEED TO MEET WITH YOUR APPROVAL. Local Equipment, Inc. offers after-market parts for road and highway maintenance equipment. All original equipment manufacturer's names, drawings, colors and part numbers are used for identification purposes only. Local is in no way implying that any of our products are original equipment parts.

CONTACT US TODAY VIA PHONE 800.543.6161 or EMAIL SALES@LACAL.COM

ALL PARTS ARE GUARANTEED TO MEET WITH YOUR APPROVAL. Local Equipment, Inc. offers after-market parts for road and highway maintenance equipment. All original equipment manufacturer's names, drawings, colors and part numbers are used for identification purposes only. Local is in no way implying that any of our products are original equipment parts.

THESE ARE JUST SOME OF OUR MOST REQUESTED PRODUCTS...

ELGIN

| | |
|------------|-------------------------------|
| LS1054254 | DIRT DEFLECTOR KIT W/CURTAIN |
| LS1054255 | DIRT SHOE UPDATE KIT |
| LS1054267 | DR CARBIDE RUNNER, 32-1/2" |
| LS1054322 | LONG RUBBER DIRT RUNNER |
| LS1054322U | LONG DIRT RUNNER, URETHANE |
| LS1054345 | RH SIDE BROOM LINK TILT WELD. |
| LS1054346 | LH SIDE BROOM LINK TILT WELD. |
| LS1054436 | RH TILT BRACKET |
| LS1054437 | LH GUTTER BROOM TILT BRACKET |
| LS1054480 | DIRT DEFLECTOR |
| LS1054485 | RETAINER PLATE |
| LS1054487 | MAIN BROOM CYLINDER |
| LS1054535 | REAR SLOT WELDMENT |
| LS1054537 | REAR CURTAIN |
| LS1054539 | REAR CURTAIN ASSEMBLY |
| LS1054573 | MODIFIED SHROUD |
| LS1054576 | TOW BAR |
| LS1054577 | TOWBAR ASSEMBLY |
| LS1054578 | REAR CURTAIN WELDMENT |
| LS1054582 | FRONT CURTAIN ASSEMBLY |
| LS1054585 | FRONT SLOT WELDMENT |
| LS1054593 | DEFLECTOR |
| LS1054745 | RH WINDOW CHANNEL |
| LS1054797 | MOTOR COUPLER |
| LS1054848 | RH SIDE BROOM LINK |
| LS1054849 | LH SIDE BROOM LINK |
| LS1054863 | SHUTDOWN SOLENOID |
| LS1054935 | RH FENDER |
| LS1054936 | LH FENDER |
| LS1055154 | RH S.B./M.B. DRIVE SHAFT |
| LS1055155 | LH SIDE BROOM DRIVE SHAFT |
| LS1055189 | TORQUE ARM PLATE |
| LS1055224 | MAIN BROOM STUB SHAFT |
| LS1055265 | DOUBLE SPLIT SET COLLAR |
| LS1055270 | FSO-M.B. TORQUE ARM/MOTOR KIT |
| LS1055538 | INPUT SHAFT |
| LS1055587 | HYDRAULIC CYLINDER ASSEMBLY |
| LS1055724 | COUPLING KIT |
| LS1055752 | WATER PUMP BASE |
| LS1055780 | WOODRUFF KEY MOD |
| LS1055845 | WATER PUMP MOUNTING KIT |
| LS1055850 | HOSE BASKET |
| LS1055857 | RH SIDE BROOM COVER |
| LS1055862 | LH SIDE BROOM COVER |
| LS1055932 | HOSE ASSEMBLY |
| LS1056689 | DEFLECTOR WELDMENT |
| LS1056847 | SPRAY PIPE |
| LS1056855 | RH NOZZLE MOUNTING WELD. |
| LS1056856 | LH NOZZLE MOUNTING WELD. |
| LS1056959 | MUFFLER SUPPORT WELDMENT |
| LS1057004 | SWIVEL WELDMENT (START Y-200) |
| LS1057104 | SLOT ADJUSTER ASSEMBLY |
| LS1057110 | PLATE-SEALING CLAMP |
| LS1057125 | CONVEYOR BOTTOM COVER |
| LS1057126 | DRAPE MOUNTING ANGLE |
| LS1057214 | FSO CONV. CYLINDER S. HYDRO |
| LS1057673 | MAIN BROOM DEFLECTOR |
| LS1057680 | DOOR CHECK STRAP |

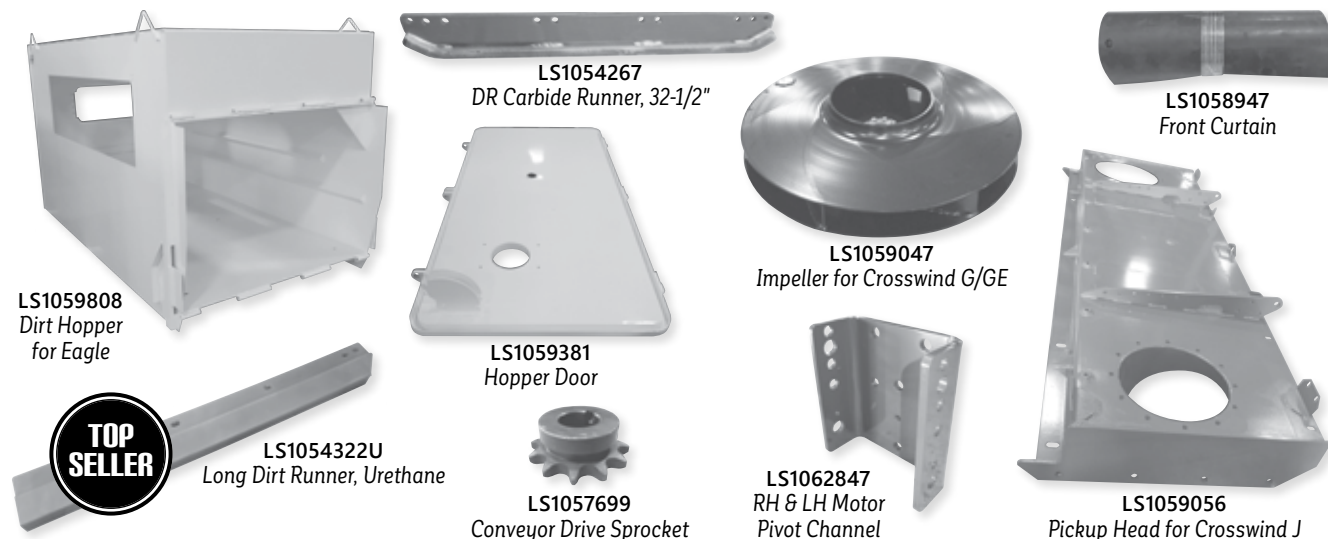
ELGIN

| | |
|-------------|----------------------------------|
| LS1057699 | CONVEYOR DRIVE SPROCKET |
| LS1057770 | LIFT ARM UPDATE KIT |
| LS1057932 | DEFLECTOR WELDMENT |
| LS1057958 | ENGINE/PUMP MTG. WELDMENT |
| LS1057993 | WASHER |
| LS1058025 | SIDE SEAL |
| LS1058042 | ADJUSTMENT BRACKET |
| LS1058045 | PIVOT SHAFT |
| LS1058086 | DRAWBAR BRACKET |
| LS1058110 | RH CYLINDER MOUNTING BRACKET |
| LS1058111 | LH CYLINDER MOUNTING BRACKET |
| LS1058112 | LINK PIN WELDMENT |
| LS1058145 | HOSE CONNECTOR WELDMENT |
| LS1058146 | RH GUTTERS/SHOE WELDMENT |
| LS1058147 | LH GUTTERS/SHOE WELDMENT |
| LS1058150 | LOWER ROLLER CURTAIN |
| LS1058151 | CLAMP STRIP |
| LS1058161 | DEFLECTOR WELDMENT |
| LS1058165 | BEARING FLANGE, 2-BOLT |
| LS1058198 | RH DRAWBAR WELDMENT |
| LS1058199 | LH DRAWBAR WELDMENT |
| LS1058223 | MAIN BROOM DEFLECTOR KIT |
| LS1058264 | RH RETAINING BRACKET |
| LS1058265 | LH RETAINING BRACKET |
| LS1058383 | REAR NOZZLE BAR WELDMENT |
| LS1058383 | REAR NOZZLE BAR WELDMENT |
| LS1058387 | GEOVAC IMPELLER W/HUB |
| LS1058395 | CLAMP STRIP |
| LS1058588 | LH WELDMENT HOPPER DOOR CAM |
| LS1058589 | RH WELDMENT HOPPER DOOR CAM |
| LS1058702 | END TUBE WELDMENT |
| LS1058704 | WANDERING HOSE CONNECTOR |
| LS1058710 | MAIN BROOM BEARING |
| LS1058726 | CROSSWIND J DIRT HOPPER |
| LS1058796 | PIVOT ARM WELDMENT |
| LS1058799 | PICKUP BAR |
| LS1058808 | BLWR. HSG. & IMP. ASSY, C'WIND J |
| LS1058814 | BLWR. HSG. & IMP. ASSY, C'WIND J |
| LS1058831 | W.H. END MOUNTING WELDMENT |
| LS1058839 | FRONT BROOM COVER |
| LS1058850 | BROOM FRONT COVER CURTAIN |
| LS1058855 | BRONZE BEARING |
| LS1058924 | LH ROD END |
| LS1058925 | RH ROD END |
| LS1058944 | FRONT CURTAIN |
| LS1058945 | FRONT CURTAIN ASSEMBLY |
| LS1058947 | FRONT CURTAIN |
| LS1058950 | REAR CURTAIN |
| LS1058951 | REAR CURTAIN ASSEMBLY |
| LS1058961 | ADAPTER TUBE (UP TO J284) |
| LS1058962 | LH DR SHOE W/PLATE |
| LS1058962PL | LH SHOE PLATE ONLY |
| LS1058963 | RH DR SHOE W/PLATE |
| LS1058963PL | RH SHOE PLATE ONLY |
| LS1058964 | C'WIND J BAH, LH CARBIDE SHOE |
| LS1058965 | C'WIND J BAH, RH CARBIDE SHOE |
| LS1059047 | CROSSWIND G & GE IMPELLER |
| LS1059056 | CROSSWIND J PICKUP HEAD |

ELGIN

| | |
|----------------|--|
| LS1059062 | CROSSWIND J BAH DR CARBIDE |
| LS1059070 | SEPARATOR DOOR WELDMENT |
| LS1059075 | SEPARATOR WELDMENT |
| LS1059076 | ROCKER SWITCH, SPDT, ON-OFF |
| LS1059083 | ROCKER SWITCH, ON-ON, 12V |
| LS1059110 | CROSSWIND J SCREEN |
| LS1059115 | CROSSWIND J BAH PICKUP HEAD |
| LS10591151 | C'WIND J BAH PICKUP HEAD KIT |
| LS10591151ASSY | C'WIND J BAH PICKUP HEAD ASSY |
| LS1059115ASSY | BAH HEAD COMPLETE ASSY, J |
| LS1059145 | BULB SEAL, 68.75" LONG |
| LS1059146 | SEAL CLAMPING PLATE |
| LS1059172 | INNER REAR CURTAIN ASSEMBLY |
| LS1059173 | C'WIND J P.U. HEAD SUB ASSY KIT |
| LS10591731 | CROSSWIND J PICKUP HEAD KIT |
| LS10591731ASSY | C'WIND J PICKUP HEAD ASSY |
| LS1059177 | LH COVER PLATE |
| LS1059180 | DOOR HINGE SHIM |
| LS1059181 | DOOR HINGE SHIM |
| LS1059184 | REAR BROOM COVER CURTAIN |
| LS1059254 | NOZZLE, FC, 90-DEG., 1.9, BR |
| LS1059277 | BOOM WELDMENT |
| LS1059283 | HOIST UPPER PIN WELDMENT |
| LS1059286 | HOSE CONNECTOR ASSEMBLY |
| LS1059297 | PICKUP HEAD STOP KIT |
| LS1059300 | PRESSURE TUBE |
| LS1059302 | SUCTION TUBE (UP TO J284) |
| LS1059321 | LINATEX, LOWER FAN HOUSING, "C" |
| LS1059322 | LINATEX, LOWER FAN HOUSING, "D" |
| LS1059360 | ZINC PLATED SUSPENSION SPRING |
| LS1059362 | HOSE, 14" DIA. X26" W/3" CUFFS |
| LS1059364 | V-BAND COUPLING |
| LS1059381 | HOPPER DOOR |
| LS1059424 | HOSE CONNECTOR WELDMENT |
| LS1059510 | LATCH PIN |
| LS1059538 | CLEVIS PIN, .50" X 3.50" |
| LS1059570 | FUEL & OIL HOSE, .50" DIA. X 4" |
| LS1059607 | PIVOT SHAFT WELDMENT |
| LS1059639 | HOPPER LIFT FRAME |
| LS1059686 | HOPPER SUPPORT FRAME |
| LS1059747 | LIFT PIVOT PIN |
| LS1059751 | ROLLER SHAFT |
| LS1059753 | ROLLER |
| LS1059764 | LIFT PIN |
| LS1059783 | HOPPER PIN |
| LS1059786 | WELDMENT-HOIST PIN |
| LS1059808 | EAGLE DIRT HOPPER WELDMENT |
| LS1059808SP | EAGLE DIRT HOPPER W/O INSPECTION WINDOWS |
| LS1059819 | HOPPER CHUTE |
| LS1059820 | SS HOPPER DOOR HINGEPIN |
| LS1059824 | INSPECTION DOOR WELDMENT |
| LS1059825 | EAGLE HOPPER ASSEMBLY |
| LS1059826 | SEALED LEVER LATCH |
| LS1059827 | HOPPER GLASS |
| LS1059828 | WINDOW MOLDING |
| LS1059909 | BRONZE THRUST BEARING |
| LS1059950 | WANDERING HOSE WELDMENT |

LACAL HAS MANY MORE ITEMS AVAILABLE – JUST ASK!



ELGIN

| | |
|------------|-----------------------------------|
| LS1060150 | RH LOWER SHEET WELDMENT |
| LS106016 | CONVEYOR SUPPORT BRACKET |
| LS1060161 | TUBE WELDMENT |
| LS1060274 | PIN |
| LS1060322 | HOSE, 11" I.D. X 59" X 3.5" CUFFS |
| LS1060337 | TOW BAR ASSEMBLY |
| LS1060338 | TOW BAR |
| LS1060373 | SEPARATOR DOOR MTG ANGLE |
| LS1060374 | SEPARATOR DOOR HINGE ANGLE |
| LS1060454 | GUTTER BROOM DISC |
| LS1060457 | HOSE ASSEMBLY |
| LS1060458 | HOSE ASSEMBLY |
| LS1060459 | HOSE ASSEMBLY |
| LS106047 | LOWER CONV. CURTAIN MNT WELD. |
| LS1060472A | AXLE |
| LS1060485 | CHAIN (PER FOOT) |
| LS1060519 | ROCKER SWITCH, MOM-OFF-ON |
| LS1060536 | SPACER TUBE |
| LS1060537 | WHEEL FORK WELDMENT |
| LS1060550 | ADJUSTER SCREW, 3/4-10 |
| LS1060589 | ADJUSTING BRACKET |
| LS1060596 | CASTER WHEEL ASSEMBLY |
| LS1060598 | GUTTER BROOM PLATE WELD. |
| LS1060648 | BLANKING PLATE |
| LS1060678 | MAKE/BREAK STAND WELDMENT |
| LS1060682 | MAKE/BRAKE TUBE WELDMENT |
| LS1060719 | IDLER PULLEY ASSEMBLY |
| LS1060750 | SPACER |
| LS1060838 | CHAIN MOUNT ANGLE |
| LS1060910 | SIDE CURTAIN |
| LS1060941 | FLOW CONTROL VALVE |
| LS1061078 | SEAL RETAINER PLATE |
| LS1061079 | BULB SEAL, 50.5" |
| LS1061087 | CLEVIS PIN |
| LS1061172 | PIVOT PIN |
| LS1061184 | SIDE BROOM TURNBUCKLE BODY |
| LS1061226 | RH PIVOT MOUNT |
| LS1061227 | LH PIVOT MOUNT |

ELGIN

| | |
|---------------|------------------------------|
| LS1061233 | RH STEP WELDMENT |
| LS1061236 | SPACER |
| LS1061295 | RH S.BROOM TILT MOUNT WELD. |
| LS1061329 | LH S.BROOM TILT MOUNT WELD. |
| LS1061360 | RH GATE VALVE WELDMENT |
| LS1061361 | LH GATE VALVE WELDMENT |
| LS1061408LAC | MAIN BROOM SHOCK ABSORBER |
| LS1061411 | TOW BAR MOUNTING PLATE |
| LS1061452 | BACKING PLATE |
| LS1061533 | LH MAIN BROOM ARM |
| LS1061535 | LH MAIN BROOM ARM |
| LS1061600 | S.BROOM MOUNTING WELD., LH-P |
| LS1061667 | ISO MOUNT-RUBBER |
| LS1061680 | SPRING PIN |
| LS1061810 | LATCH STRIKE WELDMENT |
| LS1061863 | HOPPER DOOR CATCH LINK |
| LS1061894 | ADJUSTING SCREW |
| LS1061907 | EXTENDED LIFE IMPELLER |
| LS1061997 | LH TAKE UP WELDMENT |
| LS1061998 | RH TAKE UP WELDMENT |
| LS1062005 | CONVEYOR FRAME |
| LS1062005Q | UPPER DEFLECTOR BRACKET |
| LS1062005QCK | PELICAN CONVEYOR KIT |
| LS1062005QCK1 | CONVEYOR KIT LESS FRAME |
| LS1062005R | MIDDLE DEFLECTOR BRACKET |
| LS1062005S | LOWER DEFLECTOR BRACKET |
| LS1062014 | ANGLE |
| LS1062045 | PIVOT BEARING ASSEMBLY |
| LS1062058 | WELDMENT PIPE & BRACKET |
| LS1062066 | LH SPRAY NOZZLE ROD |
| LS1062072 | SPRING COTTER |
| LS1062082 | TOW BRACKET RETAINER WASHER |
| LS1062112 | ROD END |
| LS1062386 | CHAIN, 47 LINKS |
| LS1062486 | FSO-LINATEX INSTALL KIT |
| LS1062591 | WELDMENT-HOPPER, C'WIND J |
| LS1062681 | IDLER PULLEY SUPPORT |
| LS1062778 | RH PIVOT MOUNT |

ELGIN

| | |
|-----------|-----------------------------|
| LS1062779 | LH PIVOT MOUNT |
| LS1062782 | PIVOT SHAFT |
| LS1062783 | PIVOT SHAFT RETAINER |
| LS1062818 | CHAIN BRACKET |
| LS1062843 | S.BROOM TRANS EYE BRACKET |
| LS1062847 | RH & LH CHANNEL-MOTOR PIVOT |
| LS1062874 | HOSE CONNECTOR WELDMENT |
| LS1063055 | SUCTION NOZZLE WELDMENT |
| LS1063123 | HOSE CONNECTOR TRANSITION |
| LS1063124 | HOSE CONNECTOR WELDMENT |
| LS1063242 | MV POLY TUBE BROOM |
| LS1063288 | HOPPER DEFLECTOR WELDMENT |
| LS1063686 | LH LOWER SHEET WELDMENT |
| LS1063688 | RH LOWER SHEET WELDMENT |
| LS1063690 | LH UPPER SHEET WELDMENT |
| LS1063692 | RH UPPER SHEET WELDMENT |
| LS1063694 | RH TOP FILLER PLATE |
| LS1063695 | LH TOP FILLER PLATE |
| LS1063824 | BRASS NOZZLE, 90-DEG. |
| LS1063833 | HYDRAULIC MOTOR COUPLING |
| LS1064069 | CLAMPING PLATE |
| LS1064155 | SHAFT & FLANGE WELDMENT |
| LS1064251 | RH SUCTION NOZZLE ASSEMBLY |
| LS1064252 | LH SUCTION NOZZLE ASSEMBLY |
| LS1064295 | QUICK CLAMP |
| LS1064393 | SIDE BROOM CURTAIN |
| LS1064415 | SUCTION TUBE |
| LS1064416 | ADAPTER TUBE |
| LS1064434 | CONVEYOR SHIM, .120" |
| LS1064443 | CONVEYOR SHIM, .060" |
| LS1064448 | RH GATE VALVE BRACKET |
| LS1064632 | DRAWBAR TOW BRACKET |
| LS1064657 | CLAMP |
| LS1064782 | CONVEYOR HYDRAULIC MOTOR |
| LS1064784 | RH SUCTION NOZZLE ASSEMBLY |
| LS1064785 | LH SUCTION NOZZLE ASSEMBLY |
| LS1064788 | HARDENED STEEL DOWEL PIN |
| LS1064789 | CONV. MOTOR & COUPLING KIT |

BEFORE BUYING ELSEWHERE, GET AN ABSOLUTELY FREE QUOTE FROM LACAL!

ALL PARTS ARE GUARANTEED TO MEET WITH YOUR APPROVAL. Local Equipment, Inc. offers after-market parts for road and highway maintenance equipment. All original equipment manufacturer's names, drawings, colors and part numbers are used for identification purposes only. Local is in no way implying that any of our products are original equipment parts.

CONTACT US TODAY VIA PHONE 800.543.6161 or EMAIL SALES@LACAL.COM

ALL PARTS ARE GUARANTEED TO MEET WITH YOUR APPROVAL. Local Equipment, Inc. offers after-market parts for road and highway maintenance equipment. All original equipment manufacturer's names, drawings, colors and part numbers are used for identification purposes only. Local is in no way implying that any of our products are original equipment parts.

THESE ARE JUST SOME OF OUR MOST REQUESTED PRODUCTS...

ELGIN

| | |
|------------|--------------------------------|
| LS1064792 | SUCTION NOZZLE HOSE, 13" X 55" |
| LS1064805 | CONV. MOTOR/COUPLING KIT |
| LS1064807 | HYD. MOTOR MOUNT BRACKET |
| LS1064824 | LH CENTER TIE DOWN |
| LS1064825 | RH CENTER TIE-DOWN |
| LS1064842 | MAIN BROOM LIFT CHAIN |
| LS1064843 | WEAR SPACER |
| LS1064896 | LH DIRT SHOE PLATE |
| LS1064897 | RH DIRT SHOE PLATE |
| LS1064909 | LH REAR BROOM STRUT |
| LS1064910 | RH REAR BROOM STRUT |
| LS1064936 | WATER PUMP, EBARA |
| LS1064975 | CENTER BROOM SWIVEL WELD. |
| LS1064995 | CBRM PIVOT TUBE ASSY. |
| LS1065094 | RH TOW TUBE WELDMENT |
| LS1065166 | IDLER BOLT |
| LS1065213 | SLEEVE BEARING |
| LS1065214 | SLEEVE BEARING |
| LS1065281 | REAR PANEL WELDMENT |
| LS1065390 | HYDRAULIC TUBE ASSEMBLY |
| LS1065396 | RH MAIN BROOM ARM |
| LS1065397 | RH MAIN BROOM ARM |
| LS1065418 | ROLLER-LOWER SHAFT |
| LS1065486 | LH WEAR PLATE |
| LS1065488 | RH WEAR PLATE |
| LS1065503 | WATER PUMP WITH BASE |
| LS1065510 | WATER PUMP WITHOUT BASE |
| LS1065544 | BRONZE BUSHING W/GROOVE, 3/4" |
| LS1065551 | MAKE/BREAK SHIM PLATE |
| LS1065565 | BRK - RAD SUPPORT |
| LS1065618 | BEARING PLATE |
| LS1065647 | CENTER BROOM COVER WELD. |
| LS1065648 | AIR BLOCKING PLATE |
| LS1065649 | AIR BLOCKING PLATE |
| LS1065651 | PICKUP HEAD, S/N J0295+ |
| LS1065652 | PICKUP HEAD ASSEMBLY |
| LS10656521 | CROSSWIND J PICKUP HEAD KIT |
| LS1065655 | SUCTION TUBE WELD. (J285 & UP) |
| LS1065665 | PUSH-LOK TEE CONNECTOR |
| LS1065669 | PICKUP HEAD WELDMENT, FSX |
| LS1065674 | PICKUP HEAD SUB ASSEMBLY |
| LS1065678 | PLATE |
| LS1065679 | CLAMPING PLATE |
| LS1065750 | ANG-RH CLAMP |
| LS1065754 | STRAIGHT CONNECTOR |
| LS1065755 | HOSE BASKET |
| LS1065756 | RH GATE VALVE WELDMENT, 11" |
| LS1065757 | LH GATE VALVE WELDMENT, 11" |
| LS1065787 | FUEL TANK STRAPS |
| LS1065844 | GUIDE ANGLE |
| LS1065850 | UM-.375 NYLON TUBE-GRN |
| LS1065869 | LH C.BROOM COVER BRACKET |
| LS1065978 | UM-3/4P-LOK HOSE |
| LS1066019 | FRONT CURTAIN |
| LS1066021 | SIDE BROOM CURTAIN |
| LS1066022 | SIDE BROOM CURTAIN CLAMP |
| LS1066032 | CLAMP ANGLE WELDMENT |
| LS1066056 | DIFFUSER WELDMENT |

ELGIN

| | |
|-----------|---------------------------------|
| LS1066077 | BRASS NOZZLE, 90-DEG., .38 |
| LS1066118 | U BOLT |
| LS1066192 | SCREEN LINK WELDMENT |
| LS1066223 | HOSE, 11" I.D. X 55" W/5" CUFFS |
| LS1066232 | CLAMP ANGLE |
| LS1066298 | NOZZLE BODY, 1/4" NPT |
| LS1066299 | SPRAY NOZZLE, 0.3 GPM (POLY) |
| LS1066307 | BRACKET MOUNTING |
| LS1066369 | LH GATE WELDMENT |
| LS1066370 | RH GATE WELDMENT |
| LS1066396 | LH COVER PLATE WELDMENT |
| LS1066397 | RH COVER PLATE WELDMENT |
| LS1066437 | PLATE BEARING MOUNT |
| LS1066543 | DEFLECTOR PLATE |
| LS1066640 | SERVICE DOOR PLATE |
| LS1066669 | C'WIND J SCREEN WELDMENT |
| LS1066679 | HANDLE WELDMENT |
| LS1066695 | LOOP WELDMENT |
| LS1066747 | PIN CLEVIS, 3/8" X 1-3/8" |
| LS1066759 | HOPPER CURTAIN |
| LS1066780 | PL-CENTER BROOM WEIGHT 6LBS |
| LS1066818 | FRONT CASTER MOUNT WELDMENT |

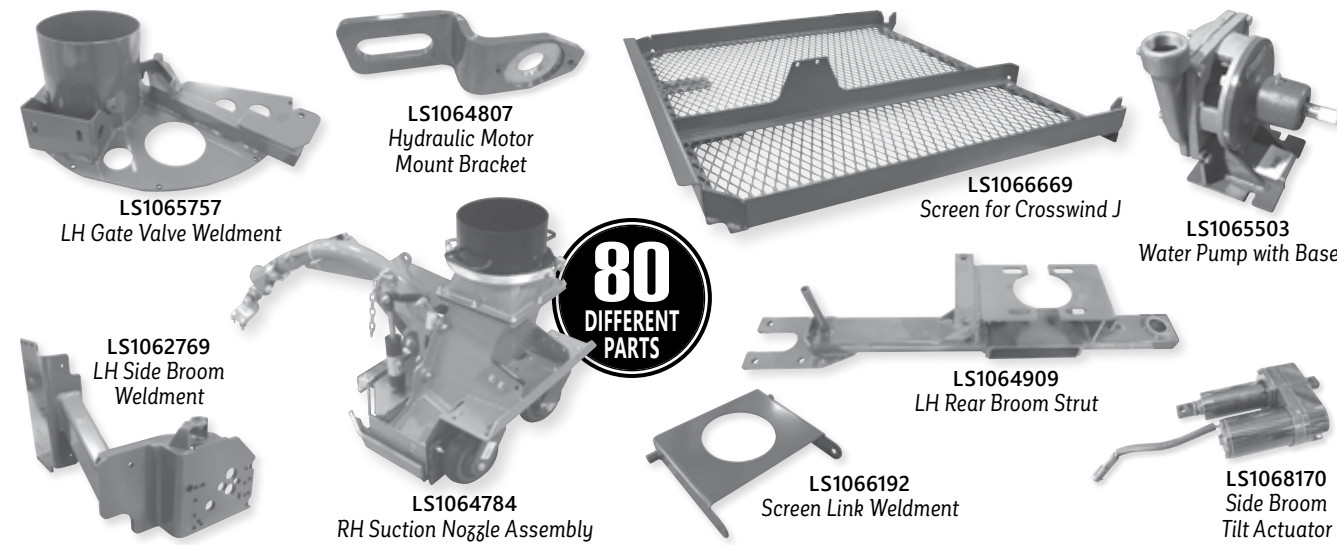
WAIT... I DON'T SEE THE PART I NEED!
 Call 800.543.6161 to access our entire inventory of parts. This catalog is only a portion of the quality replacement parts that Lecal Equipment offers!

| | |
|---------------|-------------------------------|
| LS1066855 | FRONT CASTER MOUNT WELDMENT |
| LS1067018 | WANDERING HOSE WELDMENT |
| LS1067025 | WATER PUMP SHIELD WELDMENT |
| LS1067309 | CENTERBOARD BRACKET |
| LS1067319 | AIR DEFLECTOR |
| LS1067369 | BAH PICKUP HEAD |
| LS10673691 | PICKUP HEAD, PARTIAL ASSEMBLY |
| LS1067369ASSY | PICK-UP HEAD ASSEMBLY |
| LS1067372 | BROOM COVER FRONT PLATE WELD. |
| LS1067564 | CROSS BAR WELDMENT |
| LS1067566 | LH BROOM COVER |
| LS1067568 | RH BROOM COVER |
| LS1067654 | SCRAPER WELDMENT |
| LS1067738 | BROOM SPACER |
| LS1067760 | SCISSORS SHAFT |
| LS1067769 | ELEVATOR ASSEMBLY |
| LS1067877 | CENTERBOARD DEFLECTOR ASSY |
| LS1067936 | FSO PIN SCISSOR LIFT |
| LS1068113 | LATCH BAR WELDMENT |
| LS1068117 | UPPER LINK WELDMENT |
| LS1068170 | SIDE BROOM TILT ACTUATOR |
| LS1068257 | INLINE CHECK VALVE |
| LS1068267 | M.BROOM SPRAY BRACKET, PM10 |

ELGIN

| | |
|-----------|-------------------------------|
| LS1068346 | IDLER MOUNTING WELDMENT |
| LS1068461 | KNOB |
| LS1068527 | DOOR LATCH BAR |
| LS1068718 | LH SIDE BROOM MOTOR BRACKET |
| LS1068721 | LH SIDE BROOM TILT UPDATE KIT |
| LS1068722 | RH SIDE BROOM TILT UPDATE KIT |
| LS1068723 | RH SIDE BROOM MOTOR BRACKET |
| LS1068728 | CENTER BROOM END PLATE WELD. |
| LS1068902 | GUTTER BROOM ACTUATOR |
| LS1068998 | HD ELEVATOR COVER |
| LS1069000 | HD ELEVATOR FRAME W/LINERS |
| LS1069001 | HD ELEVATOR ASSY, ASSEMBLED |
| LS1069002 | ABR RESIST UPPER LINER, 1/4" |
| LS1069004 | HD LOWER ELEVATOR LINER |
| LS1069026 | HOSE CLAMP, 11" |
| LS1069103 | LH SPRAY NOZZLE MOUNT WELD. |
| LS1069106 | RH SPRAY NOZZLE MOUNT WELD. |
| LS1069357 | LH BROOM COVER SIDE |
| LS1069358 | RH BROOM COVER SIDE |
| LS1069366 | REAR BROOM ROD WELDMENT |
| LS1069497 | FSO-HOPPER DOOR LOCK KIT |
| LS1069785 | HOPPER DOOR WELDMENT |
| LS1069848 | RH BROOM COVER PLATE |
| LS1069849 | LH BROOM COVER PLATE |
| LS1069981 | HOSE, 13" X 64" W/4" CUFFS |
| LS107001 | ARM WELDMENT |
| LS1070024 | MANIFOLD MOUNTING PLATE |
| LS1070252 | CONVEYOR SEAL |
| LS1070269 | EXTENSION DEFLECTOR |
| LS1070405 | LH NOZZLE RET. BRACKET WELD. |
| LS1070407 | RH NOZZLE RET. BRACKET WELD. |
| LS1070419 | LH SIDE PLATE |
| LS1070420 | RH SIDE PLATE |
| LS1070497 | LINK PIN |
| LS1070498 | HOPPER PIVOT PIN |
| LS1070563 | LIFT PIN |
| LS1070610 | BEARING |
| LS1070651 | BALL SOCKET |
| LS1070680 | HOPPER SUB FRAME |
| LS1070688 | WATER VALVE |
| LS1070697 | SCISSORS ROLLER BEARING |
| LS1070710 | SCISSORS ROLLER |
| LS1070732 | ROLLER SHAFT |
| LS1070784 | RH CONV. CURTAIN WELDMENT |
| LS1070786 | LH CONV. CURTAIN WELDMENT |
| LS1070787 | BOTTOM COVER PLATE |
| LS1070854 | LH NOZZLE BRACKET WELD. MOUNT |
| LS1070856 | RH NOZZLE BRACKET WELD. MOUNT |
| LS1070969 | BEACON GUARD WELDMENT |
| LS1070981 | FAN PULLEY |
| LS1070995 | FAN PULLEY |
| LS1071019 | CLEVIS PIN W/COTTER PIN |
| LS1071074 | LH DOOR FRAME |
| LS1071075 | RH DOOR FRAME |
| LS1071162 | UPPER ROLLER CONVEYOR |
| LS1071232 | SCREEN |
| LS1071493 | LH TOWBAR BRACKET KIT |
| LS1071494 | RH TOWBAR BRACKET KIT |

LACAL HAS MANY MORE ITEMS AVAILABLE – JUST ASK!



ELGIN

| | |
|-----------|--------------------------------|
| LS1071514 | LH TOWBAR BRACKET |
| LS1071515 | RH TOWBAR BRACKET |
| LS1071576 | LH DEFLECTOR WELDMENT |
| LS1071795 | RH DEFLECTOR WELDMENT |
| LS1071879 | HYDRAULIC SIDE BROOM MOTOR |
| LS1072211 | ROD END, .625 MALE |
| LS1072245 | REAR FENDER |
| LS1072246 | BRACKET |
| LS1072268 | FENDER FLAP BAR |
| LS1072349 | UPPER SHUTTER SEAL |
| LS1072350 | LOWER SHUTTER SEAL |
| LS1072351 | SEAL CLAMP |
| LS1072352 | SHUTTER SEAL KIT |
| LS1072707 | HOPPER PIVOT PIN |
| LS1072708 | PIVOT PIN |
| LS1072710 | PIN |
| LS1072714 | PIVOT PIN WELDMENT |
| LS1072816 | CURTAIN |
| LS1072817 | CURTAIN |
| LS1072819 | CURTAIN |
| LS1072837 | MAIN BROOM PIVOT SHAFT |
| LS1072895 | DIRT HOPPER |
| LS1072921 | SEAL CLAMP PLATE |
| LS1072922 | RETAINER RING |
| LS1072923 | SEAL MOUNTING ANGLE |
| LS1073004 | PILLOW BLOCK GUIDES |
| LS1073034 | LOWER CONVEYOR COVER |
| LS1073191 | CURTAIN |
| LS1073295 | TUNNEL COVER WELDMENT |
| LS1073427 | MV BLOWER HSG & IMPELLER ASSY. |
| LS1073430 | DIFFUSER LIST WELDMENT |
| LS1073432 | DIFFUSER DOOR WELDMENT |
| LS1073698 | HYDRAULIC MOTOR |
| LS1073978 | RH LIFT CAM ASSEMBLY |
| LS1073980 | LH LIFT CAM |
| LS1074079 | AIR CLEANER, 9" DIA. |
| LS1074573 | NYLON WASHER, 2.50" |
| LS1074584 | LOWER MAIN BROOM ARM |

ELGIN

| | |
|------------|--|
| LS1074586 | PIN, .75D CYLINDER |
| LS1074587 | CYLINDER PIN |
| LS1074596 | M.B. HUB SPINDLE ADAPTOR |
| LS1074597 | MAIN BROOM ASSEMBLY, NP/P |
| LS1074645 | SPACER |
| LS1074755 | CONVEYOR FRAME |
| LS1074846 | LH CONVEYOR TAKE-UP |
| LS1074858 | LH TOW BRACKET WELDMENT |
| LS1074859 | RH TOW BRACKET WELDMENT |
| LS1074862 | TOW BAR |
| LS1074882 | CONVEYOR MOTOR MOUNT |
| LS1074883 | TAKE-UP ADJUST ANGLE |
| LS1074903 | DIRT SHOE PIVOT PIN |
| LS1074933 | PELICAN NP/NS CONVEYOR ASSY. |
| LS10749331 | PELICAN NP/NS CONVEYOR ASSY. W/GREASABLE DIRT SHOE KIT |
| LS1074940 | TOW BAR ASSEMBLY |
| LS1074943 | NYLON WASHER |
| LS1074947 | M.B. MOTOR MOUNT ARM ASSY. |
| LS1074948 | M.B. MOTOR MOUNT ARM WELD. |
| LS1074977 | UPPER CONVEYOR ROLLER |
| LS1075012 | RH UPPER CONVEYOR DEFLECTOR |
| LS1075096 | MAIN BROOM DRIVE HUB |
| LS1075153 | SPACER |
| LS1075217 | DEFLECTOR CLAMP |
| LS1075221 | STP-FRONT DEFLECTOR CLAMP |
| LS1075260 | VERTICAL DEFLECTOR PANEL |
| LS1075261 | ACCESS DOOR |
| LS1075262 | FRONT DIRT DEFLECTOR |
| LS1075263 | FRONT CENTERBOARD |
| LS1075264 | REAR CENTERBOARD |
| LS1075265 | RH CENTERBOARD CLAMP |
| LS1075266 | LH CENTERBOARD CLAMP |
| LS1075267 | CLAMP |
| LS1075286 | CONVEYOR MOTOR |
| LS1075289 | DEFLECTOR/CONV. HOPPER ANGLE |
| LS1075290 | UPPER SEAL |
| LS1075300 | CLAMPING STRIP |
| LS1075302 | LOWER DIRT DEFLECTOR KIT |

ELGIN

| | |
|-----------|--------------------------------|
| LS1075338 | CONTROL MODULE SWITCH |
| LS1075388 | DUST CAP |
| LS1075534 | RH SIDE BROOM SUPPORT WELD. |
| LS1075617 | RH SIDE BROOM PIVOT |
| LS1075625 | LH SIDE BROOM PIVOT WELD. |
| LS1075635 | HOPPER REST PAD |
| LS1075742 | RH SIDE PLATE |
| LS1075743 | LH SIDE PLATE |
| LS1075802 | SUCTION HOSE GASKET |
| LS1075803 | GASKET-PRESSURE HOSE |
| LS1075829 | DIRT SHOE RUNNER (BORON) |
| LS1075988 | HOPPER INSPECTION DOOR WELD. |
| LS1075991 | INSPECTION DOOR GASKET |
| LS1076081 | RH DRAWBAR WELDMENT |
| LS1076129 | LEVER DRAW LATCH |
| LS1076161 | LINEAR ACTUATOR |
| LS1076220 | MUFFLER MOUNTING CLAMP |
| LS1076433 | PIVOT PIN WELDMENT |
| LS1076450 | LH GUTTER BROOM PIVOT WELD. |
| LS1076451 | PIVOT BRACKET |
| LS1076468 | LH SUPPORT WELDMENT |
| LS1076470 | RH EXT. SUPPORT WELDMENT |
| LS1076573 | COVER SUPPORT ANGLE |
| LS1076575 | UPPER CLAMP ANGLE |
| LS1076594 | RADIATOR/OIL COOLER-JD 49/64HP |
| LS1076638 | BRONZE BUSHING, 1" ID |
| LS1076644 | GUTTER BROOM LINK ASSEMBLY |
| LS1076653 | LH GUTTER BROOM WELD. PIVOT |
| LS1076660 | GUTTER BROOM PIN WELD., 1" |
| LS1076665 | RH GUTTER BROOM WELD. PIVOT |
| LS1076726 | STEP SUPPORT WELDMENT |
| LS1076976 | U-BOLT W/NUTS & WASHERS |
| LS1076995 | POLY PRESSURE SLOT CURTAIN |
| LS1077129 | STEP COVER PANEL |
| LS1077189 | EXHAUST TAIL PIPE, 2.5" |
| LS1077482 | LOWER DIRT DEFLECTOR |
| LS1077684 | LH CASTER MOUNT WELDMENT |
| LS1077686 | RH CASTER MOUNT WELDMENT |

BEFORE BUYING ELSEWHERE, GET AN ABSOLUTELY FREE QUOTE FROM LACAL!

CONTACT US TODAY VIA PHONE 800.543.6161 or EMAIL SALES@LACAL.COM

ALL PARTS ARE GUARANTEED TO MEET WITH YOUR APPROVAL. Lecal Equipment, Inc. offers after-market parts for road and highway maintenance equipment. All original equipment manufacturer's names, drawings, colors and part numbers are used for identification purposes only. Lecal is in no way implying that any of our products are original equipment parts.

ALL PARTS ARE GUARANTEED TO MEET WITH YOUR APPROVAL. Lecal Equipment, Inc. offers after-market parts for road and highway maintenance equipment. All original equipment manufacturer's names, drawings, colors and part numbers are used for identification purposes only. Lecal is in no way implying that any of our products are original equipment parts.

THESE ARE JUST SOME OF OUR MOST REQUESTED PRODUCTS...

ELGIN

| | |
|--------------|-------------------------------|
| LS1078006 | M.BROOM DIRT DEFLECTOR KIT |
| LS1078011 | ELEVATOR FRAME W/LINERS |
| LS1078064 | LH DRAWBAR WELDMENT |
| LS1078123 | BEARING W/CAP & ZERK |
| LS1078135 | FSX CASTER ASSEMBLY KIT |
| LS1078269 | FSO-SUB FR TIE DOWN |
| LS1078337 | RH DIRT SHOE WELDMENT |
| LS1078354 | REAR BROOM MODIFIED DIRT SHOE |
| LS1078606 | LINK ARM |
| LS1078688 | RH M.BROOM COVER END PLATE |
| LS1078689 | LH M.BROOM COVER END PLATE |
| LS1078692 | RH MAIN BROOM STRUT |
| LS1078693 | LH REAR BROOM STRUT |
| LS1078741 | CONVEYOR COVER SUPPORT |
| LS1078744 | MAIN BROOM COVER WELDMENT |
| LS1078747 | M.BROOM COVER MOUNT ANGLE |
| LS1078765 | CROSSWIND "J" IMPELLER |
| LS1078766 | LOWER CLAMP ANGLE |
| LS1078768 | HOLD-DOWN TUBE COVER |
| LS1078774 | IDLER SUPPORT ASSEMBLY |
| LS1078796 | PL-M.BROOM COVER HOLDDOWN |
| LS1078812 | PL-RH LOWER DEFLECTOR |
| LS1078813 | LH LOWER DEFLECTOR PLATE |
| LS1078900 | OPEN END CAP |
| LS1078901 | OPEN END CAP/SEAL |
| LS1078902 | CLOSED END CAP |
| LS1078903 | PILLOW BLOCK BEARING |
| LS1078903LAC | PILLOW BLOCK BEARING |
| LS1078915 | RH LOWER DEFLECTOR ASSEMBLY |
| LS1078916 | LH LOWER DEFLECTOR ASSEMBLY |
| LS1078961 | BEARING-POLYLUBE MRP 2.0 |
| LS1079055 | COVER (FRONT & MAIN BROOM) |
| LS1079068 | BRONZE BEARING |
| LS1079172 | END CLOSURE FLAP |
| LS1079275 | LH REAR PLATE |
| LS1079276 | RH REAR PLATE |
| LS1079450 | AXLE STOP BUMPER |
| LS1079521 | CLEVIS PIN |
| LS1079895 | LH ACTUATOR TILT MOUNT WELD. |
| LS1079901 | ACTUATOR PIVOT PLATE |
| LS1080013 | CONVEYOR COVER |
| LS108006 | ROD END PIN |
| LS1080096 | GUTTER BROOM PLATE |
| LS108019 | HOPPER DUST COVER |
| LS10801991 | TOP SEAL BRACKET |
| LS1080206 | LIFT ARM |
| LS1080270 | PUMP MOUNT WELDMENT |
| LS1080330 | SEAL CLAMP |
| LS1080395 | INSPECTION DOOR GASKET |
| LS1080404 | RH ACTUATOR TILT MOUNT WELD. |
| LS1080447 | BEARING POLYLUBE MRP 2.5 |
| LS1080545 | PICKUP HEAD LIFT CYLINDER |
| LS1080578 | LH DIRT SHOE ASSEMBLY |
| LS1080579 | RH DIRT SHOE ASSEMBLY |
| LS1080617 | ELEVATOR SHIM |
| LS108083 | LIFT CYLINDER ROD END PIN |
| LS1081013 | 80 MESH WATER FILTER, Y-TYPE |
| LS1081013SP | Y STRAINER, 1" |

ELGIN

| | |
|-----------|------------------------------|
| LS1081018 | CLAMP PLATE |
| LS1081037 | TILT ARM |
| LS1081043 | LIFT CHAIN |
| LS1081100 | LIFT & TRANSPORT CHAIN |
| LS1081229 | MOUNTING ANGLE |
| LS1081230 | HOPPER WEAR PAD |
| LS1081461 | FSO IMPELLER REPLACEMENT KIT |
| LS1081469 | BALANCED IMPELLER |
| LS1081530 | IMPELLER |
| LS1081602 | TAPER LOCK BUSHING |
| LS1081603 | TAPER LOCK BUSHING |
| LS1081604 | LOCKING ASSEMBLY BUSHING |
| LS1081667 | GUIDE WHEEL HUB ASSEMBLY |
| LS1081686 | MAGNET BRACE WELDMENT |
| LS108200 | RH DOOR CYLINDER BRACKET |
| LS1082027 | RH MAIN BROOM UPPER ARM |
| LS1082030 | LH MAIN BROOM LIFT ARM |
| LS1082048 | LOWER ROLLER DEFLECTOR |
| LS1082167 | SPRING ADJUSTER |
| LS1082309 | RH MIRROR MOUNT WELDMENT |
| LS1082310 | LH MIRROR MOUNT WELDMENT |
| LS1082332 | DIFFUSER DOOR WELDMENT |

ASSEMBLIES SAVE YOU TIME & MONEY
Let Lecal Give You a Head Start!
 Instead of individual parts, order whole completed machine sections. Look for the word "ASSEMBLY" (or "ASSY") in our product listings or just ask!

| | |
|-----------|--------------------------------------|
| LS1082386 | CHEVRON BELT, 48" X 13.08-FT. |
| LS1082387 | CHEVRON BELT, 48" X 13.58-FT. |
| LS1082388 | CHEVRON BELT, 48" X 18-FT., PREPUNCH |
| LS1082718 | BALL STUD MIRROR, UNHEATED |
| LS1082998 | MOTOR MOUNT FLEX ARM PLATE |
| LS1083023 | FIBER GUARD WELDMENT-FW |
| LS1083227 | AIR SOLENOID VALVE |
| LS1083365 | ELEVATOR ROLLER SUB ASSEMBLY |
| LS1083377 | FENDER WASHER, 1/4 X 2 |
| LS1083527 | MOTOR MOUNT |
| LS1083530 | CHAIN COVER WELDMENT |
| LS1083546 | CONVEYOR LIFT CYLINDER |
| LS1083580 | SHUTTER WELDMENT |
| LS1083597 | DIRT SHOE SCRAPER |
| LS1083598 | SCRAPER CLAMP |
| LS1083653 | BRACKET |
| LS1083688 | SCRAPER RETAIN WELDMENT |
| LS1083824 | LOWER DEFLECTOR PANEL |
| LS1083892 | TANK SUPPORT WELDMENT |
| LS1083942 | UPPER ELEVATOR LINER |
| LS1083956 | HOPPER SEAL |
| LS1083957 | HOPPER SEAL |
| LS1084032 | REAR COMPARTMENT WELDMENT |

ELGIN

| | |
|-------------|--------------------------------|
| LS1084043SK | REPAIR KIT |
| LS1084135 | TANK SIDE SEAL, 62-1/2" |
| LS1084159 | D-SEAL, 63-3/4" |
| LS1084160 | WEATHERSTRIP, 2" X 64-3/8" |
| LS1084207 | FRAME WELDMENT |
| LS1084207SP | FRAME WELDMENT, SPECIAL |
| LS1084227 | ELEV. MOUNTING LINK (H LINK) |
| LS1084229 | ELEV. MOUNTING CROSSMEMBER |
| LS1084232 | WATER PUMP, 1 SPEED |
| LS1084233 | PIN WELDMENT |
| LS1084240 | ELEVATOR LIFT PIN WELDMENT |
| LS1084245 | DIRT SHOE LIFT PLATE |
| LS1084385 | CAB STEP WELDMENT |
| LS1084389 | RH LOWER STEP WELDMENT |
| LS1084390 | LH LOWER STEP WELDMENT |
| LS1084407 | LH CAB STEP WELDMENT |
| LS1084420 | BROOM ROTATION VALVE MOUNT |
| LS1084421 | MANIFOLD COVER PANEL |
| LS1084431 | UPPER ELEVATOR SHAFT (MOD) |
| LS1084432 | LOWER ELEVATOR SHAFT (MOD) |
| LS1084442 | FLIGHT ASSEMBLY |
| LS1084443 | CONVEYOR FLIGHT ANGLE |
| LS1084444 | RUBBER SQUEEGEE |
| LS1084445 | RETAINER BAR |
| LS108444U | POLY SQUEEGEE |
| LS1084456 | RH DEFLECTOR BRACKET |
| LS1084457 | LH DEFLECTOR BRACKET |
| LS1084555 | FSO-HOPPER SEAL KIT |
| LS1084576 | 11-FLT. ELEVATOR CHAIN, 79P |
| LS1084576T | 11-FLT. CHAIN W/T-COTTERS, 79P |
| LS1084579 | HYDRAULIC MANIFOLD COVER |
| LS1084580 | LH REAR COMPARTMENT DOOR |
| LS1084581 | RH REAR COMPARTMENT DOOR |
| LS1084635 | CONVEYOR BEARING PLATE WELD. |
| LS1084636 | MOTOR MOUNTING PLATE WELD. |
| LS1084670 | CHAIN DRIVE ELEVATOR ASSY |
| LS1084800 | BROOM BEAR ELEVATOR ASSY |
| LS1084898 | PUMP/VALVE ASSEMBLY |
| LS1084899 | HOSE BRACKET |
| LS1084905 | PUMP MOUNTING WELDMENT |
| LS1084924 | SPRAY BAR |
| LS1084932 | SPACER-DIRT SHOE CRB |
| LS1084941 | REAR DOOR LOCK TAB |
| LS1085026 | STRIP WEAR GUARD, FT |
| LS1085027 | STRIP WEAR GUARD, RR |
| LS1085180 | BRISTLE GUARD |
| LS1085183 | BROOM CORE WELDMENT |
| LS1085184 | MAIN BROOM CORE ASSEMBLY |
| LS1085582 | WATER BRACKET |
| LS1085649 | CONVEYOR DIRT BAFFLE |
| LS1085651 | CONVEYOR BAFFLE CLAMP |
| LS1085683 | SPACER, .75 LG BROOM |
| LS1085689 | HOPPER REST PAD |
| LS1085712 | MAIN BROOM KIT |
| LS1085788 | DOOR PROP STOP WELDMENT |
| LS1085826 | TURNBUCKLE, 1" UNC - 8.28" |
| LS1086059 | 3-BAND V-BELT |
| LS1086169 | LUBE FTG BULKHEAD WELDMENT |

LACAL HAS MANY MORE ITEMS AVAILABLE – JUST ASK!

TOP SELLER
 LS1082386 Chevron Belt, 48" x 13.08-ft.
 LS1083597 Dirt Shoe Scraper
 LS1076081 RH Drawbar Weldment
 LS1078765 Impeller for Crosswind J
 LS1084227 Elevator Mounting Link
 LS1083598 Scraper Clamp
 LS1078417 Side Broom Cylinder
65 DIFFERENT PARTS
 LS1084670 Chain Drive Elevator Assembly

ELGIN

| | |
|-----------|-----------------------------|
| LS1086311 | INSP-BODY COLOR DOOR |
| LS1086375 | RUBBER ISOLATION |
| LS1086462 | VALVE COVER |
| LS1086646 | LH BEACON MOUNT WELDMENT |
| LS1086665 | RH BEACON MOUNT WELDMENT |
| LS1086737 | PIVOT SHAFT CLAMP |
| LS1086747 | METAL SENSOR |
| LS1086818 | MAIN BROOM COVER TOP |
| LS1086872 | SIDE COVER SEAL |
| LS1086873 | UPPER SEAL CLAMP |
| LS1086924 | LOWER SEAL CLAMP PLATE |
| LS1087115 | LH ELEVATOR STOP WELDMENT |
| LS1087117 | RH ELEVATOR STOP WELDMENT |
| LS1087154 | LH BROOM COVER WELDMENT |
| LS1087156 | MAIN BROOM COVER ASSEMBLY |
| LS1087214 | MAIN BROOM COVER BOTTOM |
| LS1087318 | TRANSDUCER, 3000 PSI |
| LS1087694 | ELEV STIF BAR- |
| LS1087958 | BEARING SPACER |
| LS1088011 | RH CAB STEP WELDMENT |
| LS1088149 | CLEVIS PIN |
| LS1088272 | CENTER DRAG ANGLE |
| LS1088273 | DRAG BROOM WELDMENT-HANGER |
| LS1088400 | DIRT DEFLECTOR |
| LS1088471 | COVER SUPPORT WELDMENT |
| LS1088475 | FRONT COVER WELDMENT |
| LS1088477 | LH COVER WELDMENT |
| LS1088479 | RH COVER WELDMENT |
| LS1088508 | MOTOR MOUNT |
| LS1088522 | PIN-GW PIVOT/CYLINDER |
| LS1088525 | SIDE BROOM LINK W/BUSHINGS |
| LS1088553 | WEAR WASHER |
| LS1088576 | RH DOOR STOP WELDMENT |
| LS1088578 | WEAR SPACER |
| LS1088580 | HOPPER MOUNTED LICENSE BRKT |
| LS1088792 | FILL/FILTER MOUNT |
| LS1089324 | SOCKET SCREW (GR. 8) |
| LS1089417 | MAIN BOOM CS ARM ASSEMBLY |

ELGIN

| | |
|-----------|------------------------------|
| LS1089568 | FSO CAB DOOR HINGE KIT |
| LS1089679 | UPPER HOUSING W/LINATEX (J) |
| LS1089757 | FSO-MAIN BROOM ARM WEIGHTS |
| LS109001 | TOP SINGLE SCISSORS |
| LS109002 | BOTTOM SINGLE SCISSORS |
| LS109003 | BOTTOM DOUBLE SCISSORS |
| LS109004 | TOP DOUBLE SCISSORS |
| LS109005 | BROOM BADGER SLIDER BLOCK |
| LS109010 | SHAFT |
| LS109029 | SHORT PIN |
| LS1090391 | RH SIDE COVER PANEL |
| LS1090510 | LH TURNBUCKLE |
| LS1090512 | RH TURNBUCKLE |
| LS1090562 | CONVEYOR COVER SUPPORT |
| LS1090832 | RH INSIDE PROP WELDMENT |
| LS1090833 | LH INSIDE PROP WELDMENT |
| LS1090836 | RH OUTSIDE PROP WELDMENT |
| LS1090837 | LH OUTSIDE PROP WELDMENT |
| LS1090917 | DRAG SHOE ARM |
| LS1090918 | DRAG SHOE ARM |
| LS1091273 | SWIVEL CASTER, 8" X 3" |
| LS1091483 | PIN WELDMENT |
| LS1091668 | VERTICAL DEFLECTOR PANEL |
| LS1091696 | LH LIFT ARM WELDMENT |
| LS1091804 | RH LIFT ARM WELDMENT |
| LS1091854 | RH SUPPORT WELDMENT |
| LS1091855 | LH SUPPORT WELDMENT |
| LS1091877 | BUMP STOP MOUNT |
| LS1092010 | RH SIDE BROOM PIVOT ASSEMBLY |
| LS1092011 | LH SIDE BROOM PIVOT ASSEMBLY |
| LS1092054 | LH LOWER CONVEYOR DEFLECTOR |
| LS1092055 | RH LOWER CONV. DEFLECTOR |
| LS1092670 | LATCH-SLAM |
| LS1092781 | SPACER |
| LS1093025 | MOTOR PIVOT CHANNEL |
| LS1093036 | CLEVIS BOSS WELDMENT |
| LS1093265 | UPPER FAN HSG W/LINATEX (MV) |
| LS1093278 | RH HOPPER DOOR LATCH |

ELGIN

| | |
|------------|--------------------------------|
| LS1093279 | LH HOPPER DOOR LATCH |
| LS1093282 | LATCH PIVOT ADAPTER WELDMENT |
| LS1093283 | LATCH PIVOT ADAPTER WELDMENT |
| LS1093284 | HOPPER LATCH CAM PLATE |
| LS1093347 | FSO-HOPPER DOOR LATCHES |
| LS1093348 | FSO-UPPER DIRT DEFLECTOR KIT |
| LS1093351 | WELDMENT-PIVOT CYLINDER REAR |
| LS1093352 | TANK SIDE SEAL |
| LS1093353 | HOPPER SIDE SEAL |
| LS1093357 | RH UPPER DIRT DEFLECTOR |
| LS1093360 | HOPPER CLOSURE FLAP |
| LS1093470 | POLY BEARING |
| LS1093540 | GUTTER BROOM LINK |
| LS1093565 | HYDRAULIC CYL. ASSY., 2.0/2.08 |
| LS1093572 | PL-TANK SEAL |
| LS1093618 | TAPERED HOPPER PIVOT PIN |
| LS1093619 | LIFT ARM PIVOT PIN |
| LS1093620 | DIRT HOPPER WELDMENT |
| LS1093677 | BEARING |
| LS1094339 | REAR COVER PANEL |
| LS1094412 | DOOR HINGE WELDMENT |
| LS1094580 | CHAIN COVER WELDMENT |
| LS1094626 | LOWER FAN HOUSING W/LINATEX |
| LS1094734 | LOWER FAN HOUSING W/LINATEX |
| LS1095441 | GUTTER BROOM LINK ASSEMBLY |
| LS1095842 | LINK PIN KEEPER |
| LS1095956 | LINK PIN |
| LS1095960 | MRP SEALED BEARING, .75 |
| LS1095982 | TOW BAR PIVOT PIN |
| LS1095987 | RH SIDE BROOM PIVOT ASSY |
| LS1095988 | LH SIDE BROOM PIVOT ASSY |
| LS1095994 | RH DIRT SHOE ASSEMBLY |
| LS10959941 | RH CARB DIRT SHOE ASSEMBLY |
| LS1095995 | LH DIRT SHOE ASSEMBLY |
| LS1096008 | NP TOW BAR ASSEMBLY |
| LS1096034 | RUBBER HOPPER LOWER SEAL |
| LS1096038 | GUTTER BROOM LINK ASSEMBLY |
| LS1096146 | SIDE BROOM CURTAIN |

BEFORE BUYING ELSEWHERE, GET AN ABSOLUTELY FREE QUOTE FROM LACAL!

CONTACT US TODAY VIA PHONE 800.543.6161 or EMAIL SALES@LACAL.COM

ALL PARTS ARE GUARANTEED TO MEET WITH YOUR APPROVAL. Lecal Equipment, Inc. offers after-market parts for road and highway maintenance equipment. All original equipment manufacturer's names, drawings, colors and part numbers are used for identification purposes only. Lecal is in no way implying that any of our products are original equipment parts.

ALL PARTS ARE GUARANTEED TO MEET WITH YOUR APPROVAL. Lecal Equipment, Inc. offers after-market parts for road and highway maintenance equipment. All original equipment manufacturer's names, drawings, colors and part numbers are used for identification purposes only. Lecal is in no way implying that any of our products are original equipment parts.

THESE ARE JUST SOME OF OUR MOST REQUESTED PRODUCTS...

ELGIN

| | |
|-----------|-------------------------------|
| LS1096159 | RH DIRT SHOE ASSY, GREASABLE |
| LS1096160 | LH DIRT SHOE ASSY, GREASABLE |
| LS1096161 | RH DIRT SHOE WELDMENT |
| LS1096162 | LH DIRT SHOE WELDMENT |
| LS1096163 | MOD. DIRT SHOE RUNNER |
| LS1096366 | BEARING, 1.5" ID X 2" OD |
| LS1096367 | WASHER / SPACER |
| LS1096368 | PIVOT PIN |
| LS1096447 | BROOM BEAR ELEV. DIRT SHOE |
| LS1096617 | MOTOR-HYD GEAR .192 |
| LS1096857 | LOWER CONVEYOR SHAFT |
| LS1096859 | BUSHING |
| LS1096860 | HUB |
| LS1096862 | MOTOR BRACKET |
| LS1096863 | RH TAKE-UP WELDMENT |
| LS1096866 | TAKEUP GUIDE |
| LS1096873 | 11-FLT. ELEVATOR CHAIN, 85P |
| LS1096874 | ELEVATOR TRAY BOTTOM RUBBER |
| LS1096879 | ELEVATOR LIFT BEAM WELDMENT |
| LS1096880 | LIFT PIN |
| LS1096881 | LIFT BEAM SPINDLE PIN |
| LS1097070 | LIFT BEAM SPACER PLATE |
| LS1097071 | CONVEYOR LIFT BEAM ASSEMBLY |
| LS1097153 | ROLLER |
| LS1097386 | GREASEABLE DIRT SHOES KIT |
| LS1097600 | WASHDOWN SPRAYER WELDMENT |
| LS1097637 | CONVEYOR COVER |
| LS1097724 | TOWBAR LINK ASSEMBLY |
| LS1097726 | MOTOR MOUNT ARM WELDMENT |
| LS1097727 | MAIN BROOM MOTOR MOUNT ASSY |
| LS1097728 | DIRT SHOE TOW PIN |
| LS1097732 | LH DIRT SHOE WELDMENT |
| LS1097784 | WELDMENT TANK CRADLE H |
| LS1097882 | TORQUE ARM SPACER |
| LS1097883 | LH DIRT SHOE ASSEMBLY |
| LS1097885 | RH DIRT SHOE WELDMENT |
| LS1097886 | RH DIRT SHOE ASSEMBLY |
| LS1097896 | RH LIFT BROOM ARM |
| LS1097900 | LH LIFT ARM (HYD. SUSPENSION) |
| LS1097901 | TORQUE ARM SPINDLE |
| LS1097902 | LH BROOM ARM ASSEMBLY |
| LS1097903 | M.B. BEARING MOUNTING PLATE |
| LS1097905 | CORE SPINDLE WELDMENT |
| LS1097985 | SIDE SUPPORT WELDMENT |
| LS1097990 | RH BULKHEAD PLATE |
| LS1098047 | REAR COVER SUPPORT |
| LS1098051 | MOUNT |
| LS1098053 | REAR RUBBER COVER |
| LS1098168 | RH CONVEYOR TAKEUP WELDMENT |
| LS1098417 | LH TAKE-UP WELDMENT |
| LS1098422 | LH TAKE-UP GUIDE |
| LS1098726 | ACCESS DOOR |
| LS1098911 | HYDRAULIC CYLINDER |
| LS1099061 | HYDRAULIC FILTER |
| LS1099325 | DIRT DEFLECTOR SIDE FLAP |
| LS1099335 | ELEVATOR DIRT DEFLECTOR KIT |
| LS1099338 | LOWER CLAMP CHANNEL WELD. |
| LS1099350 | FRAME / FUEL TANK COVER |

ELGIN

| | |
|-----------|---------------------------------------|
| LS1100274 | RH TRANS EYE BRACKET |
| LS1100409 | LH GUTTER BROOM PIVOT WELD. |
| LS1100410 | RH GUTTER BROOM PIVOT WELD. |
| LS1100435 | FRONT DOOR HINGE |
| LS1100449 | BEACON MOUNT SUPPORT CHANNEL WELDMENT |
| LS1100480 | BEACON GUARD |
| LS1100488 | BEACON MOUNT |
| LS1100516 | BEACON MOUNT PIVOT BRACKET |
| LS1100604 | LH TRANS EYE BRACKET |
| LS1100695 | RH DOOR HINGE SUPPORT |
| LS1100855 | RETROFIT KIT W/WATER PUMP |
| LS1100857 | WATER PUMP W/WIRE FITTINGS |
| LS1100881 | SWING PIN STOP PLATE |
| LS1100882 | SWING PIN STOP PLATE SPACER |
| LS1100961 | HYDRAULIC MOTOR |
| LS1101021 | RH SIDE BROOM TILT WELDMENT |
| LS1101022 | LH SIDE BROOM TILT WELDMENT |
| LS1101041 | CLEVIS PIN |
| LS1101049 | HOPPER SEAL SUPPORT BAR |
| LS1101075 | SEAL CLAMP |
| LS1101078 | RADIO PLATE |
| LS1101347 | BEACON GUARD ASSEMBLY |

LACAL REBUILDS STREET SWEEPERS

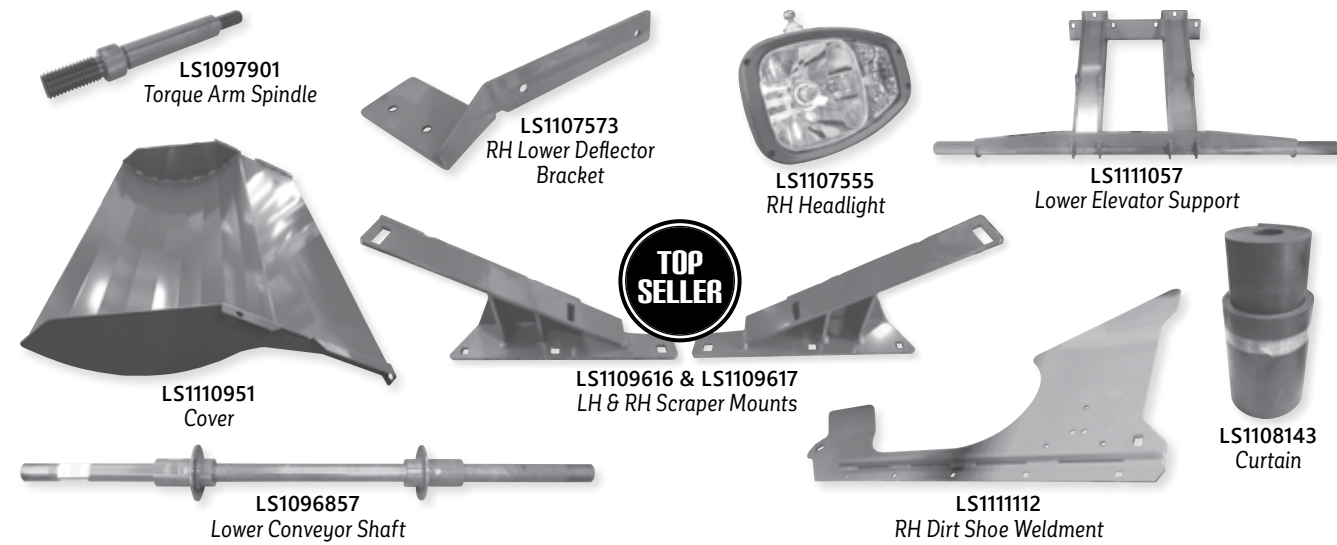
See pages 18-21 to discover what our Street Sweeper Rebuilding Service can do for you, then call **800.543.6161** for more info.

| | |
|-----------|---------------------------------------|
| LS1101348 | BEACON MOUNT & PIVOT BRACKET ASSEMBLY |
| LS1101599 | WATER PUMP, 2 SPEED W/SEALED MOTOR |
| LS1101614 | WASHDOWN PIPE ASSEMBLY |
| LS1101787 | SQ. DRIVE ROLLER |
| LS1101870 | HOPPER DOOR, 48" HOPPER |
| LS1101875 | HOPPER WELDMENT, 48" |
| LS1102313 | RH SIDE TIP PLATE |
| LS1102316 | LOWER ELEVATOR COVER |
| LS1102418 | ELEVATOR LIFT WELDMENT |
| LS1102488 | CENTER BOARD ASSEMBLY |
| LS1102535 | BROOM BEAR ELEVATOR ASSY |
| LS1102626 | LOWER ELEVATOR SUPPORT ASSY |
| LS1102644 | COVER SEAL SHEET |
| LS1102645 | RH SEAL CLAMP |
| LS1102646 | LH SEAL CLAMP |
| LS1102682 | VALVE GUARD SHEET |
| LS1102710 | CONVEYOR MOTOR MOUNT |
| LS1102758 | BEACON SUPPORT |
| LS1102792 | HEADSHAFT TAKE UP SEAL |
| LS1102793 | TAKE UP INSIDE DEBRIS SHIELD |
| LS1102794 | BEARING DEBRIS SHIELD |
| LS1102796 | SPACER |

ELGIN

| | |
|-----------|-----------------------------------|
| LS1102797 | VALVE GUARD SUPPORT PLATE |
| LS1102837 | FLANGE WASHER |
| LS1102838 | END RETAINER PLATE |
| LS1102876 | GUTTER BROOM PLATE |
| LS1103165 | ELEVATOR FRAME WELDMENT |
| LS1103167 | LOWER WEAR PLATE |
| LS1103171 | CLAMPING PLATE |
| LS1103173 | MIDDLE WEAR PLATE |
| LS1103176 | UPPER WEAR PLATE |
| LS1103188 | UPPER ELEVATOR SHAFT |
| LS1103374 | LH BULKHEAD PLATE |
| LS1103467 | PELICAN DIRT HOPPER |
| LS1103569 | GUTTER BROOM LINK |
| LS1103576 | SIDE BROOM LINK WELDMENT |
| LS1103608 | BROOM MOTOR |
| LS1103632 | HOPPER DOOR |
| LS1103914 | LATCH |
| LS1104120 | MALE TO FEMALE ADAPTER |
| LS1104167 | COVER CLAMP PLATE |
| LS1104197 | MAIN BROOM CHAIN, 14 LINKS |
| LS1104779 | REAR CENTER BOARD CHAIN, 88 LINKS |
| LS1105010 | LOWER ROLLER WELDMENT |
| LS1105162 | SIDE BROOM HUB |
| LS1105207 | BEARING |
| LS1105630 | ROLLER SCRAPER |
| LS1105631 | BELT SCRAPER |
| LS1105632 | SCRAPER BAR PLATE |
| LS1105644 | SEAL CONVEYOR HOUSING TOP |
| LS1105668 | BELT SCRAPER |
| LS1105764 | ADJUSTER SCREW |
| LS1105827 | CONVEYOR UPPER FLOOR |
| LS1106072 | BRACKET |
| LS1106074 | MOUNT WELDMENT |
| LS1106114 | UPPER SUPPORT BRACKET |
| LS1106137 | CONVEYOR HOUSING SIDE SEAL |
| LS1106164 | BELT SPLICE PLATE |
| LS1106792 | TOW BAR MOUNTING PLATE |
| LS1107568 | CONVEYOR DEF CLAMP |
| LS1107570 | LH CONV. DEBRIS CHUTE PLATE |
| LS1107571 | RH CONVEYOR DEBRIS CHUTE |
| LS1107572 | LH LOWER DEFLECTOR BRACKET |
| LS1107573 | RH LOWER DEFLECTOR BRACKET |
| LS1107575 | LOWER CONVEYOR WELDMENT |
| LS1107788 | LH DIRT SHOE WELDMENT |
| LS1107789 | RH DIRT SHOE WELDMENT |
| LS1107793 | TOW BAR FLANGE |
| LS1107798 | SPACER |
| LS1107811 | CONVEYOR REAR SKIRT |
| LS1107818 | INNER CONVEYOR SKIRT PLATE |
| LS1107819 | CONVEYOR BELT SIDE SKIRT |
| LS1107821 | INNER CONV. SKIRT CLAMP WELD. |
| LS1107823 | BEARING SHIELD |
| LS1107825 | UPPER CLAMP |
| LS1107826 | SIDE SHOE CLAMP |
| LS1107827 | CONVEYOR SIDE SKIRT |
| LS1107832 | SIDE SKIRT CLAMP WELDMENT |
| LS1107833 | CONVEYOR FRONT SKIRT |

LACAL HAS MANY MORE ITEMS AVAILABLE – JUST ASK!



ELGIN

| | |
|-----------|---|
| LS1107837 | CONV. FRONT SKIRT CLAMP PLATE |
| LS1107838 | CONV. SIDE SKIRT CLAMP PLATE |
| LS1108044 | FRONT SPRAY BAR WELDMENT |
| LS1108140 | CONVEYOR CENTER BOARD |
| LS1108141 | ANGLE |
| LS1108143 | CURTAIN |
| LS1108224 | EXHAUST DUCT WELDMENT |
| LS1108377 | RUBBER FLAP GUIDE |
| LS1108862 | M.BROOM SPRAY GUIDE WELD. |
| LS1108866 | MAIN BROOM SPRAY BAR |
| LS1109494 | BEARING |
| LS1109506 | SUSPENSION PIVOT PIN |
| LS1109509 | LIFT CYLINDER LINK |
| LS1109514 | LINK PIN KEEPER PLATE |
| LS1109515 | LIFT CYLINDER LINK PIN |
| LS1109525 | MOUNTING KIT |
| LS1109527 | HOSE BASKET MOUNT |
| LS1109531 | RH SIDE BROOM PIVOT ASSY. |
| LS1109532 | LH SIDE BROOM PIVOT |
| LS1109535 | RH REAR COVER PIVOT BRACKET |
| LS1109536 | LH REAR COVER PIVOT BRACKET |
| LS1109539 | ANCHOR SHACKLE |
| LS1109540 | DIRT SHOE SPRING |
| LS1109540 | DIRT SHOE SPRING |
| LS1109554 | LH REAR COVER PIVOT MOUNT |
| LS1109561 | REAR BROOM SPRING |
| LS1109562 | RH REAR COVER PIVOT MOUNT |
| LS1109568 | LH SUSPENSION ANCHOR |
| LS1109570 | RH SUSPENSION ANCHOR |
| LS1109571 | LH SUSPENSION LIFT EAR PLATE |
| LS1109572 | RH SUSPENSION LIFT EAR PLATE |
| LS1109575 | LH PIVOT ASSEMBLY |
| LS1109576 | RH PIVOT ASSEMBLY |
| LS1109578 | LH MAIN BROOM LIFT ARM ASSY (SPRING SUSPENSION) |
| LS1109581 | RH LIFT ARM ASSEMBLY |
| LS1109583 | LH LIFT ARM (SPRING SUSPENSION) |
| LS1109585 | LEVER AND LATCH |
| LS1109590 | SUSPENSION SPRING EYELET |

ELGIN

| | |
|---------------|-----------------------------|
| LS1109616 | LH SCRAPER MOUNT |
| LS1109617 | RH SCRAPER MOUNT |
| LS1109622 | LOWER ROLLER |
| LS111006 | LICENSE PLATE MTG. BRACKET |
| LS1110079 | CHAIN |
| LS1110175 | UPPER HOPPER SEAL |
| LS1110426 | TOOL BOX |
| LS1110427 | TOOL BOX MOUNTING PLATE |
| LS1110428 | TOOL BOX GUIDE CHANNEL |
| LS1110429 | TOOL BOX GUIDE |
| LS1110485 | FLIGHT ASSEMBLY |
| LS1110485ASSY | FLIGHT ASSEMBLY W/CHAINS |
| LS1110486 | RUBBER FLIGHT SQUEEGEE |
| LS1110498 | RH TAKE-UP SEAL CLAMP |
| LS1110499 | LH TAKE-UP SEAL CLAMP |
| LS1110500 | TOW BAR WELDMENT |
| LS1110513 | FLIGHT ANGLE CLAMP |
| LS1110558 | BUMP STOP SPACER |
| LS1110559 | BUMP STOP SPACER |
| LS1110619 | CHAIN COVER |
| LS1110744 | DEFLECTOR (ROAD WIZARD) |
| LS1110853 | CYLINDER PIN |
| LS1110943 | ROLLER SADDLE PLATE |
| LS1110951 | COVER |
| LS1110957 | LOWER DEFLECTOR CLAMP PLATE |
| LS1110958 | MAIN BROOM COVER |
| LS1110989 | RH COVER MOUNT |
| LS1110990 | LH COVER MOUNT |
| LS1111054 | REAR CHANNEL FENDER MOUNT |
| LS1111057 | LOWER ELEVATOR SUPPORT |
| LS1111109 | RUBBER FLAP GUIDE |
| LS1111112 | RH DIRT SHOE WELDMENT |
| LS1111113 | LH DIRT SHOE WELDMENT |
| LS1111114 | RH DIRT SHOE ASSEMBLY |
| LS1111114WOS | RH DIRT SHOE ASSY W/O SHOE |
| LS1111115 | LH DIRT SHOE ASSEMBLY |
| LS1111115WOS | LH DIRT SHOE ASSY W/O SHOE |
| LS1111131 | TOOL BOX WELDMENT |

ELGIN

| | |
|-----------|------------------------------|
| LS1111132 | TOOL BOX STOP BRACKET |
| LS1111147 | LINK PIN KEEPER |
| LS1111215 | DEFLECTOR-LOWER ELEVATOR |
| LS1111216 | LOWER DEFLECTOR CLAMP BRKT. |
| LS1111217 | LOWER DEFLECTOR CLAMP BRKT. |
| LS1111218 | LH ELEVATOR DEFLECTOR MOUNT |
| LS1111219 | RH ELEVATOR DEFLECTOR MOUNT |
| LS1111242 | UPPER ELEVATOR COVER |
| LS1111302 | SIDE SUPPORT WELDMENT |
| LS1111305 | TOWBAR PIVOT PIN |
| LS1111306 | TOW PIN KEEPER PLATE |
| LS1111538 | LOWER ELEVATOR RUBBER SEAL |
| LS1111539 | SEAL CLAMP |
| LS1111552 | FSO-ELEV. LOWER DEFLECTORS |
| LS1111851 | CHANNEL MOTOR PIVOT WELD. |
| LS1111856 | PIN-S.B. LINK NU |
| LS1111861 | LH FSO SIDE BROOM KIT |
| LS1111906 | RH FSO SIDE BROOM KIT |
| LS1112509 | CAB STEP WELDMENT |
| LS1112535 | CONVEYOR PANEL |
| LS1112537 | CONVEYOR RETENTION PLATE |
| LS1113686 | RH SIDEBROOM WELDMENT |
| LS1113689 | LH SCISSOR MOUNT |
| LS1113704 | S.BROOM SWING PIN STOP WELD. |
| LS1113886 | RH SCISSOR MOUNT |
| LS1114387 | NOZZLE, FL, 110-DEG.,40, BR |
| LS1114816 | CHAIN, SINGLE LINK, 1/4" |
| LS1115490 | LONG CHUTE HOPPER ASSEMBLY |
| LS1115602 | PRESSURE SLOT CURTAIN ANGLE |
| LS1115693 | REAR FRAME WELDMENT |
| LS1115702 | FRONT DEFLECTOR |
| LS1115756 | 4MF MAIN BROOM ASSEMBLY |
| LS1116262 | LH DIRT SHOE PLATE |
| LS1116263 | RH DIRT SHOE PLATE |
| LS1116279 | LH DOOR HINGE SUPPORT |
| LS1116294 | MIDDLE CONVEYOR COVER PLATE |
| LS1116295 | LOWER CONVEYOR COVER PLATE |
| LS1116348 | BEACON GUARD WELDMENT |

BEFORE BUYING ELSEWHERE, GET AN ABSOLUTELY FREE QUOTE FROM LACAL!

CONTACT US TODAY VIA PHONE 800.543.6161 or EMAIL SALES@LACAL.COM

ALL PARTS ARE GUARANTEED TO MEET WITH YOUR APPROVAL. Local Equipment, Inc. offers after-market parts for road and highway maintenance equipment. All original equipment manufacturer's names, drawings, colors and part numbers are used for identification purposes only. Local is in no way implying that any of our products are original equipment parts.

ALL PARTS ARE GUARANTEED TO MEET WITH YOUR APPROVAL. Local Equipment, Inc. offers after-market parts for road and highway maintenance equipment. All original equipment manufacturer's names, drawings, colors and part numbers are used for identification purposes only. Local is in no way implying that any of our products are original equipment parts.

THESE ARE JUST SOME OF OUR MOST REQUESTED PRODUCTS...

| ELGIN | |
|-------------|---------------------------------------|
| LS1117245 | 24V LINEAR ACTUATOR |
| LS1117258 | SPLICE PLATE |
| LS1117258KT | SPLICE KIT, 53" |
| LS1117290 | AY-AIR REGULATOR |
| LS1117752 | MANIFOLD MOUNT PLATE |
| LS1117963 | IDLER SUPPORT ASSEMBLY |
| LS1118463 | IDLER PULLEY ASSEMBLY |
| LS1118852 | ADJUST IDLER PULLEY KIT |
| LS1118892 | CONVEYOR LOWER FLOOR WELD. |
| LS1118971 | CHEVRON BELT |
| LS1119741 | CROSSWIND J FAN ASSEMBLY |
| LS1120305 | TOW BAR ASSEMBLY |
| LS1120309 | CARBIDE DRAG SHOE DR (WITTKE) |
| LS1120566 | RH DEFLECTOR WELDMENT |
| LS1120568 | LH DEFLECTOR WELDMENT |
| LS1120641 | ELEVATOR DIRT DEFLECTOR WELD. |
| LS1120678 | DEFLECTOR |
| LS1120679 | DEFLECTOR |
| LS1120690 | LH DIRT SHOE WELDMENT |
| LS1120691 | DIRT SHOE ASSEMBLY |
| LS1120693 | RH DIRT SHOE WELDMENT |
| LS1120694 | DIRT SHOE ASSEMBLY |
| LS1120708 | CONV. CYL. MOUNT GUSSET ANGLE |
| LS1120769 | CENTERBOARD ASSEMBLY |
| LS1120945 | CONV. LIFT CYL. BRACKET WELD. |
| LS1121250 | UPPER ELEVATOR SHAFT |
| LS1121402 | MAIN BROOM COVER |
| LS1121671 | UPPER ROLLER WELDMENT |
| LS1121679 | WANDERING HOSE HAT |
| LS1121695 | CONVEYOR FRAME WELDMENT |
| LS1121696 | LH ENCLOSURE PLATE |
| LS1121699 | CONVEYOR UPPER FLOOR WELD. |
| LS1121702 | CONVEYOR LIFT WELDMENT |
| LS1121936 | RH TWO ROW CARBIDE DIRT SHOE ASSEMBLY |
| LS1121937 | LH TWO ROW CARBIDE DIRT SHOE ASSEMBLY |
| LS1122187 | AIR CYLINDER |
| LS1122196 | SUCTION SHUTTER AIR CYLINDER |
| LS1122197 | AIR CYLINDER |
| LS1122247 | RH COVER BRACKET |
| LS1122249 | LH COVER BRACKET |
| LS1122258 | DRAW LEVER LATCH |
| LS1122259 | LATCH SPACER PLATE |
| LS1122391 | FILTER/REGULATOR-PNEUMATIC |
| LS1122496 | CONVEYOR SIDE SKIRT |
| LS1122517 | PELICAN CONVEYOR CHAIN |
| LS1124099 | RH MAIN BROOM LIFT ARM WELD |
| LS1125124 | SIDE BROOM LINK ASSY |
| LS1125514 | CONV. WASHDOWN PIPE ASSY. |
| LS1125923 | MAIN BROOM REAR SUPPORT |
| LS1126072 | FLAP GUIDE ASSEMBLY |
| LS1126134 | RH CHASSIS SUPPORT WELDMENT |
| LS1126135 | LH CHASSIS SUPPORT WELDMENT |
| LS1126513 | RH ENCLOSURE PLATE |
| LS1126690 | PIN |
| LS1126823 | WELDMENT CONV. CHAIN COVER |
| LS1126953 | CONVEYOR MOTOR |

| ELGIN | |
|------------|-----------------------------|
| LS1127111 | PILLOW BLOCK BEARING |
| LS1127210 | RH DIRT SHOE WELDMENT |
| LS1127215 | TOW BAR WELDMENT |
| LS1127547 | LH DIRT SHOE WELDMENT |
| LS1128072 | M.BROOM REAR SUPPORT WELD. |
| LS1128083 | UPPER CONVEYOR COVER WELD. |
| LS1128102 | HYDRAULIC CYLINDER |
| LS1128117 | MAIN BROOM SHOCK |
| LS1128389 | GUTTER BROOM ACTUATOR |
| LS1128905 | SHOCK ABSORBER W/ HARDWARE |
| LS1128906 | SHOCK ABSORBER |
| LS1129784 | 4M BROOM COVER |
| LS1129797 | LH DIRT SHOE ASSEMBLY |
| LS1129798 | RH DIRT SHOE ASSEMBLY |
| LS1129837 | FSO-RH DIRT SHOE |
| LS1129838 | LH DIRT SHOE - 4FS |
| LS1132631 | PICKUP HEAD LIFT CYLINDER |
| LS1132930 | M.BROOM COVER MOUNT WELD. |
| LS1132934 | RH MAIN BROOM COVER MOUNT |
| LS1132936 | COVER MOUNT WELDMENT |
| LS11402891 | MAIN BROOM SPRAY BAR |
| LS118034 | TAIL LIGHT MOUNTING BRACKET |
| LS119235 | RH SIDE BROOM PIVOT WELD. |

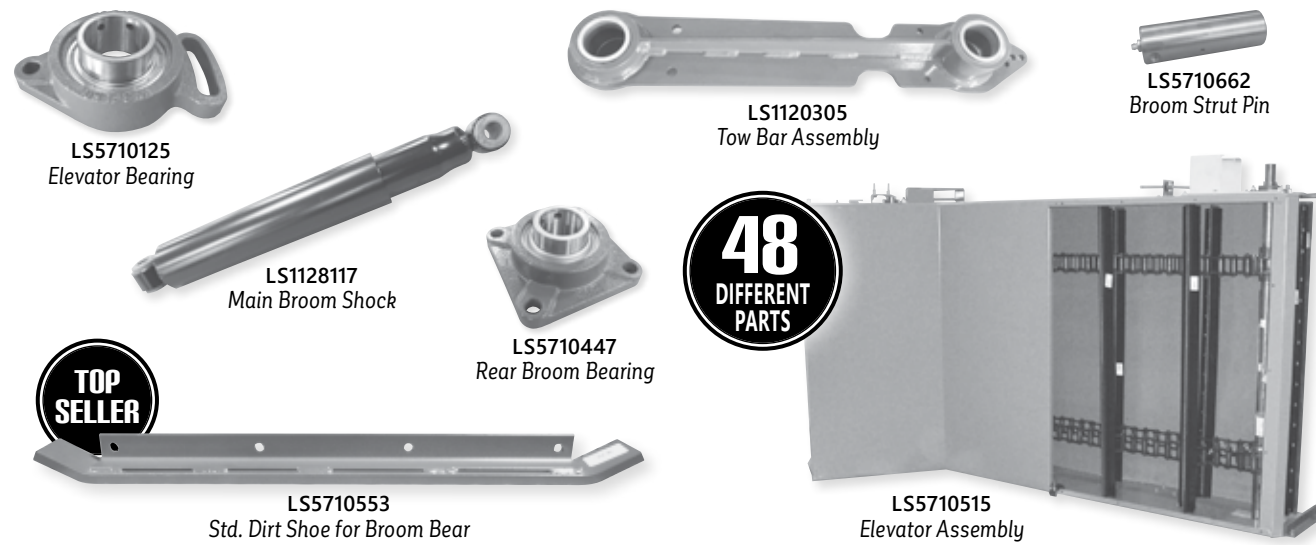
EXPERIENCE THE LACAL DIFFERENCE

Since 1982, we have distinguished ourselves from the competition by providing reliable parts and great service at affordable prices.

| | |
|------------|----------------------------|
| LS119247 | LH DRAG SHOE STOP |
| LS119248 | RH DRAG SHOE STOP BRACKET |
| LS119255 | LH MAIN BROOM ARM |
| LS119285 | MOTOR TORQUE BRACKET |
| LS119693 | SCISSORS ASSEMBLY |
| LS124193 | 10 T POLY SPROCKET |
| LS12539 | QUICK COUPLER CAP |
| LS15024391 | BUSHING ASSEMBLY |
| LS150282 | COMPLETE CONVEYOR W/MOTOR |
| LS150283 | LOWER SHAFT WELDMENT |
| LS150285 | UPPER CONVEYOR SHAFT ASSY. |
| LS150286 | LOWER SHAFT ASSEMBLY |
| LS150287 | WIPER ASSEMBLY |
| LS150400 | ROCKER ARM PIN |
| LS150513 | RUBBER BAR CLAMP |
| LS150518 | HOPPER SUBFRAME |
| LS150524 | LATCH HOPPER HANDLE |
| LS150527 | DOOR HINGE PIN |
| LS150555 | HOPPER DOOR |
| LS150559 | INSPECTION DOOR |
| LS150617 | WATER PIPE |
| LS150620 | WATER PIPE |
| LS150668 | PIN TILT CYLINDER |
| LS150670 | ROD END PIN |

| ELGIN | |
|-----------|--|
| LS150688 | HOPPER TILT PIN |
| LS150879 | COVER SEAL BRACKET |
| LS151276 | HYDRAULIC MOTOR |
| LS151798 | RH CHANNEL MOUNT WELDMENT |
| LS151873 | RH TILT BRACKET WELDMENT |
| LS151913 | TORQUE ARM MOUNTING BRACKET |
| LS151990 | HOPPER BOX |
| LS152006 | LH REAR CANOPY WELDMENT |
| LS152009 | REAR RH CANOPY WELDMENT |
| LS152029 | RH MAIN BROOM ARM |
| LS152253 | TORQUE BRACKET |
| LS153250 | SCISSORS LIFT ASSEMBLY |
| LS153702 | COLLAR CONVEYOR SHAFT |
| LS153704 | UPPER SHAFT ASSEMBLY |
| LS153705 | UPPER SHAFT WELDMENT |
| LS154037 | DRAG SHOE ARM |
| LS154214 | BRACKET CONVEYOR SHAFT |
| LS154260 | LH BEARING MOUNT PLATE |
| LS174176L | LH HINGE WELD. W/BUSHINGS |
| LS174176R | RH HINGE WELD. W/BUSHINGS |
| LS20745 | POLY GUTTER BROOM, 4-SEGMENT |
| LS20748 | POLY GUTTER BROOM, 5-SEGMENT |
| LS395763 | DUST BACKUP SKIRT |
| LS3C196 | WINDOW CHANNEL |
| LS4901906 | DOOR SEAL - PER FOOT |
| LS5003835 | HEX HEAD CAP SCREW |
| LS5004998 | MACHINE SCREW, ROUND HD, SLOTTED |
| LS5006957 | 1/4 X 11 NIPPLE |
| LS5007042 | YOKE PIN W/COTTER |
| LS5007070 | COLD SHUT LINK |
| LS5007077 | YOKE PIN & COTTER PIN |
| LS5007103 | MAIN BROOM DRIVE CHAIN |
| LS5007185 | PUSH-PULL SWITCH |
| LS5007249 | SIDE BROOM CHAIN |
| LS5007640 | BEARING LOCKWASHER |
| LS5007950 | M.BROOM SUSPENSION SPRING |
| LS5008054 | OIL SEAL |
| LS5008067 | OIL SEAL |
| LS5008173 | RETAINING RING |
| LS5008217 | RETAINING RING |
| LS5008407 | FELT SEAL RING |
| LS5008467 | SIDE BROOM SUSPENSION CABLE |
| LS5008473 | SNAP RING |
| LS5009056 | BRASS NOZZLE |
| LS5009057 | BRASS SPRAY NOZZLE, 50-DEG. |
| LS5009083 | LUBE STRAP CAP |
| LS5009089 | SPACER WASHER |
| LS5009158 | CABLE TIE |
| LS5009175 | MOUNTING BAND |
| LS5009195 | SIDE BROOM OIL SEAL |
| LS5009197 | BUSHING |
| LS5009215 | DOMED LOCKWASHER |
| LS5009221 | DRILLED CAPSCREW |
| LS5009372 | PILOT BEARING |
| LS5009376 | LOCK WASHER, 1/2", COUNTERSUNK, EXT. TH. |
| LS5009423 | SPACER WASHER |

LACAL HAS MANY MORE ITEMS AVAILABLE – JUST ASK!



| ELGIN | |
|-----------|-------------------------------|
| LS5009426 | RETAINING RING, 1.596 OD |
| LS5009428 | SNAP RING |
| LS5009429 | RETAINING RING |
| LS5009445 | HD RETAINING RING |
| LS5009475 | BEARING END CAP |
| LS5009477 | LOWER ROLLER BEARING W/ZERK |
| LS5009479 | SPACER |
| LS5009483 | RETAINING RING, .480 I.D. |
| LS5009507 | RIVETED M.B. DRIVE CHAIN, #60 |
| LS5009557 | BEARING CONE |
| LS5009558 | BEARING CUP |
| LS5009559 | BEARING CONE |
| LS5009570 | BEARING CUP |
| LS5009595 | BEARING CONE |
| LS5009596 | BEARING CUP |
| LS5009636 | CLAMP |
| LS5009640 | RETAINING RING |
| LS5009644 | BALL VALVE |
| LS5009705 | DRIV-LOC GROOVED PIN |
| LS5009718 | TORSION SPRING |
| LS5009720 | FLANGE BEARING |
| LS5009743 | RETAINING RING |
| LS5009758 | FLANGE BEARING |
| LS5009805 | ZINC DRIVE-LOCK GROOVE PIN |
| LS5009926 | PIPE UNION TEE, BRASS |
| LS5009971 | GROMMETT M/M |
| LS5010037 | MACHINE SCREW |
| LS5010095 | ROD END BEARING |
| LS5010129 | STRAIGHT GREASE FITTING |
| LS501019 | DUMP DOOR CYLINDER |
| LS5010197 | OIL SEAL |
| LS5010651 | BRASS SPRAY NOZZLE, 80-DEG. |
| LS505276 | GUTTER BROOM, 4-SEGMENT |
| LS5710096 | GUTTER BROOM HUB |
| LS5710104 | SIDE BROOM PLATE |
| LS5710125 | ELEVATOR BEARING |
| LS5710233 | RETAINER ANGLE |
| LS5710234 | FLIGHT ANGLE |

| ELGIN | |
|---------------|--------------------------------|
| LS5710391 | LH SLIDE PLATE |
| LS5710396 | LH KEEPER |
| LS5710400 | UPPER SHAFT ASSEMBLY |
| LS5710401 | UPPER ELEVATOR SHAFT |
| LS5710406 | LOWER SHAFT ASSEMBLY |
| LS5710412 | RH KEEPER |
| LS5710413 | RH SLIDE PLATE |
| LS5710413 | RH SLIDE PLATE |
| LS5710414 | LOWER ELEVATOR SHAFT |
| LS5710419 | LOWER LINER PLATE (LATE) |
| LS5710419A | LOWER LINER PLATE (EARLY) |
| LS5710420 | UPPER LINER PLATE |
| LS5710421 | ELEVATOR DUST COVER |
| LS5710430 | ELEVATOR COVER |
| LS5710440ASSY | RH LOWER SIDE PLATE |
| LS5710441ASSY | LH LOWER SIDE PLATE |
| LS5710446 | BROOM ARBOR |
| LS5710446W | BARE ARBOR WELD., WEIGHTED |
| LS5710447 | REAR BROOM BEARING |
| LS5710502 | ELEV. SPROCKET W/BUSHING |
| LS5710509 | 11-FLT. ELEVATOR CHAIN, 83P |
| LS5710515 | ELEVATOR ASSEMBLY |
| LS5710545 | ELEV. MOUNTING LINK (H LINK) |
| LS5710553 | BROOM BEAR STD. DIRT SHOE |
| LS5710563 | ELEVATOR DRAPE CLAMP |
| LS5710621 | SQUEEGEE |
| LS5710621SP | SQUEEGEE, SPECIAL LENGTH |
| LS5710662 | BROOM STRUT PIN |
| LS5710670 | BROOM LIFT CYLINDER |
| LS5710673 | ELEVATOR REAR CYLINDER |
| LS5710690 | REAR COMPARTMENT WELDMENT |
| LS5710711 | HYDRAULIC FILTER ELEMENT |
| LS5710713 | FLUID LEVEL, 5" CENT. W/THERM. |
| LS5710715 | REAR COMPARTMENT ASSEMBLY |
| LS5710716 | RH BOTTOM HINGE |
| LS5710717 | RH TOP HINGE |
| LS5710720 | LH REAR COMPARTMENT DOOR |
| LS5710721 | RH REAR COMPARTMENT DOOR |
| LS5710736 | BROOM COVER HINGE |

| ELGIN | |
|-----------|---------------------------------|
| LS5710737 | MAIN BROOM TOP COVER |
| LS5710738 | MAIN BROOM LOWER COVER |
| LS5710741 | RH COVER |
| LS5710742 | LH COVER |
| LS5710745 | BROOM BEAR DIRT HOPPER, (EARLY) |
| LS5710749 | M.BROOM DRIVE CHAIN COVER |
| LS5710759 | HOPPER DOOR HINGE PIN |
| LS5710770 | GASKET |
| LS5710771 | SEAL RETAINER |
| LS5710772 | SEAL RETAINER |
| LS5710773 | BROOM BEAR HOPPER SEAL |
| LS5710774 | BROOM BEAR HOPPER SEAL |
| LS5710814 | ZINC PLATED LOCKING COLLAR |
| LS5710818 | MAIN BROOM & CORE KIT |
| LS5710819 | REAR BROOM SPACER |
| LS5710820 | REAR BROOM SPACER |
| LS5710821 | REAR BROOM SPACER |
| LS5710839 | REAR BROOM SUSPENSION SPRING |
| LS5710845 | REAR BROOM SPRING EYELET |
| LS5710887 | RH DOOR LATCH ANGLE |
| LS5710908 | RH GUTTER BROOM TILT BRACKET |
| LS5710909 | LH GUTTER BROOM TILT BRACKET |
| LS5710919 | RH MOTOR-GUTTER BROOM MOUNT |
| LS5710920 | LH SIDE BROOM MOTOR MOUNT |
| LS5710958 | LIFT ARM PIN |
| LS5710967 | DEFLECTOR MOUNTING BRACKET |
| LS5710968 | DEFLECTOR MOUNTING ANGLE |
| LS5710981 | MAIN BROOM LIFT SHAFT |
| LS5710990 | REAR BROOM LIFT LEVER BEARING |
| LS5710995 | LH MAIN BROOM PIVOT WELD. |
| LS5711005 | SLEEVE BEARING |
| LS5711006 | RH LIFT LEVER |
| LS5711007 | LH LIFT LEVER |
| LS5711026 | ELEV. TENSION CYLINDER FITTING |
| LS5711034 | LH BOTTOM HINGE |
| LS5711035 | LH TOP HINGE |
| LS5711038 | DIRT SHOE CABLE SHEAVE |
| LS5711039 | DIRT SHOE SUB-ASSEMBLY KIT |

BEFORE BUYING ELSEWHERE, GET AN ABSOLUTELY FREE QUOTE FROM LACAL!

ALL PARTS ARE GUARANTEED TO MEET WITH YOUR APPROVAL. Local Equipment, Inc. offers after-market parts for road and highway maintenance equipment. All original equipment manufacturer's names, drawings, colors and part numbers are used for identification purposes only. Local is in no way implying that any of our products are original equipment parts.

CONTACT US TODAY VIA PHONE 800.543.6161 or EMAIL SALES@LACAL.COM

ALL PARTS ARE GUARANTEED TO MEET WITH YOUR APPROVAL. Local Equipment, Inc. offers after-market parts for road and highway maintenance equipment. All original equipment manufacturer's names, drawings, colors and part numbers are used for identification purposes only. Local is in no way implying that any of our products are original equipment parts.

THESE ARE JUST SOME OF OUR MOST REQUESTED PRODUCTS...

ELGIN

| | |
|-----------------|-----------------------------------|
| LS5711043 | DIRT SHOE LIFT CYLINDER |
| LS5711046 | DRAG SHOE CROSS SHAFT |
| LS5711047 | BROOM LIFT PIVOT WELDMENT |
| LS5711052 | LH DRAG SHOE PIVOT |
| LS5711053 | RH DRAG SHOE PIVOT |
| LS5711064 | CABLE CLAMP |
| LS5711067 | ELEVATOR DRIVE CHAIN |
| LS5711068 | MAIN BROOM DRIVE CHAIN |
| LS5711076 | RETAINING STRIP |
| LS5711078 | SPACER |
| LS5711083 | AIR PRESSURE REGULATOR |
| LS5711084 | AIR PRESSURE GAUGE |
| LS5711142 | ROCKER SWITCH, OFF-ON, 12V |
| LS5711143 | ROCKER SWITCH |
| LS5711144 | ROCKER SWITCH |
| LS5711145 | ROCKER SWITCH |
| LS5711162 | REAR BROOM COVER ASSEMBLY |
| LS5711163 | WASHER |
| LS5711176 | HOPPER PIVOT PIN |
| LS5711177 | RUBBER PLUG |
| LS5711189 | VARIABLE PUMP |
| LS5711189SEALKT | SEAL KIT FOR LS5711189 |
| LS5711209 | SPRAY NOZZLE TIP |
| LS5711244 | DRAG SHOE SEAL |
| LS5711245 | ELEVATOR CURTAIN |
| LS5711246E | HINGE TUBE |
| LS5711270 | UPPER HOPPER DOOR (EARLY) |
| LS5711330 | CABLE RETAINER |
| LS5711350 | DEFLECTOR MOUNTING BRACKET |
| LS5711434 | LH SIDE DOOR STOP |
| LS5711435 | RH SIDE DOOR STOP |
| LS5711445 | RH FRONT / LH REAR RETAINER PLATE |
| LS5711446 | RH REAR / LH FRONT RETAINER PLATE |
| LS5711455 | FENDER BRACE |
| LS5711457 | LH FRONT END SPRAY BAR |
| LS5711477 | LOCKING COLLAR |
| LS5711503 | RH REAR FENDER |
| LS5711504 | LH REAR FENDER |
| LS5711522 | BULKHEAD LOCK NUT, 3/4-16 |
| LS5711523 | LH ROD END SPHERICAL |
| LS5711524 | RH ROD END SPHERICAL |
| LS5711525 | GUTTER BROOM TIE ROD |
| LS5711528 | ROCKER SWITCH, ON-OFF, 12V |
| LS5711543 | DRAPE MOUNT |
| LS5711546 | OUTER ELEVATOR DRAPE KEEPER |
| LS5711548 | MID. ELEVATOR DRAPE KEEPER |
| LS5711566 | HYDRAULIC OIL LENS |
| LS5711576 | ELEVATOR CYLINDER LINK |
| LS5711585 | ROD END, SPHERICAL 3/4 |
| LS5711604 | DRAPE |
| LS5711606 | ELEVATOR FLIGHT ASSEMBLY |
| LS5711608 | FRAME TIE DOWN |
| LS5711611 | TIE DOWN ANGLE |
| LS5711702 | SEAL KIT |
| LS5711719 | LH DOOR |
| LS5711723 | CENTERBOARD & MOUNTING KIT |

ELGIN

| | |
|-----------|---------------------------|
| LS5711757 | SEAL KIT |
| LS5711761 | SEAL KIT |
| LS5711803 | RH DOOR |
| LS5711858 | MAIN BROOM LEAF CURTAIN |
| LS5711859 | LEAF CURTAIN STIFFENER |
| LS5711860 | LEAF CURTAIN RETAINER |
| LS5711861 | LEAF CURTAIN WEAR PLATE |
| LS5711862 | SPRING CLIP |
| LS5711863 | SIDE-LEAF CURTAIN FLAP |
| LS5712001 | RH MAIN BROOM PIVOT |
| LS5712002 | LH BROOM STRUT PIVOT |
| LS5712023 | RH MAIN BROOM PIVOT WELD. |
| LS5712050 | DRAG SHOE CABLE |
| LS5712069 | REAR BROOM SPACER |
| LS5713213 | DIVERTER VALVE |
| LS5713214 | SOLENOID VALVE |
| LS5713215 | VALVE, 2/2 WAY SOLENOID |
| LS5713216 | COIL, 12VDC |
| LS5713217 | COIL, 12VDC |
| LS5713218 | FLOW REGULATOR |
| LS5713219 | CHECK VALVE |
| LS5713220 | SHUTTLE VALVE |
| LS5713224 | PILOT PISTON |

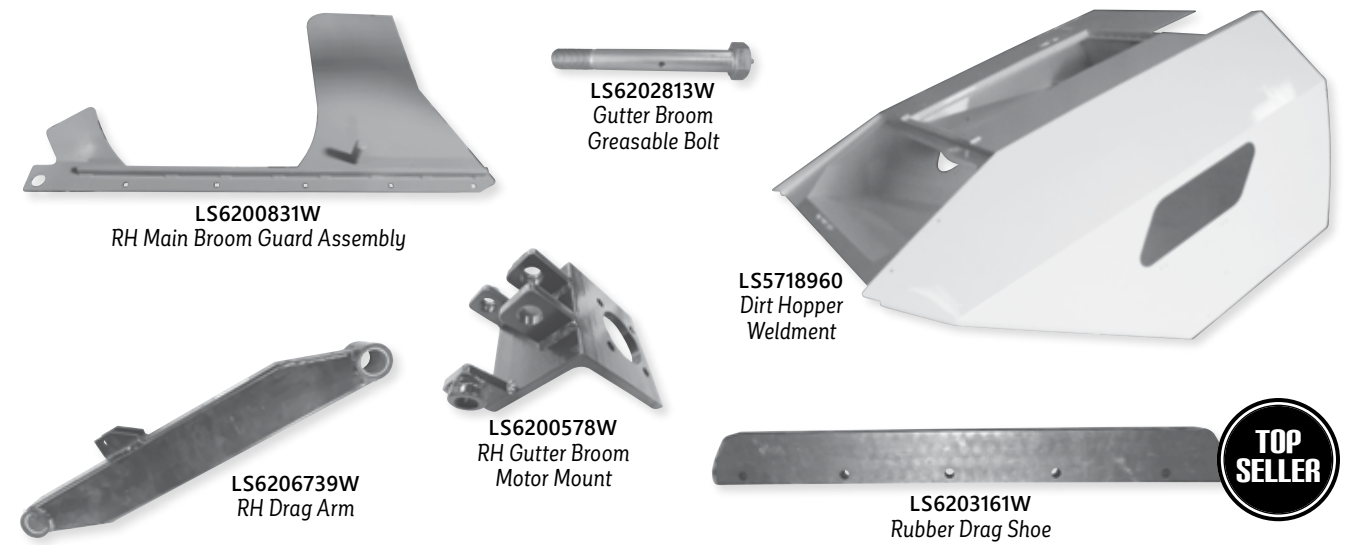
WAIT... I DON'T SEE THE PART I NEED!
 Call **800.543.6161** to access our entire inventory of parts. This catalog is only a portion of the quality replacement parts that Lecal Equipment offers!

| | |
|-------------|--------------------------------|
| LS5713225 | SEAL KIT FOR DIVERTER VALVE |
| LS5713226 | SEAL KIT |
| LS5713260 | DIRT HOPPER |
| LS5713262 | HOPPER & DOOR ASSEMBLY |
| LS5713350 | ELEV. BEARING MOUNTING PLATE |
| LS5713352R1 | LH WATER TANK COVER |
| LS5713353R1 | RH WATER TANK COVER |
| LS5713354 | BROOM BEAR SEAL TENSION KIT |
| LS5713355 | MIDDLE WATER TANK COVER |
| LS5713360 | WATER TANK KIT |
| LS5713412 | PROXIMITY SENSOR |
| LS5713414 | TOP LATCH PLATE |
| LS5713455 | PROXIMITY SENSOR |
| LS5713469 | DUST SHIELD |
| LS5713470 | DUST SHIELD |
| LS5713662 | ELEVATOR NOZZLE SPRAY |
| LS5713665 | ELEVATOR FLUSHER BAR SPRAY |
| LS5713706 | SWITCH SUPPORT |
| LS5713711 | HOPPER FULL SWITCH MOUNT |
| LS5713756 | PIPE NIPPLE |
| LS5713761 | STD. ELEVATOR FRAME W/LINERS |
| LS57137612 | STD. ELEVATOR FRAME W/O LINERS |
| LS57137613 | ELEV. FRAME WITH EARLY LINER |
| LS57137614 | ELEV. FRAME WITH EARLY LINER |

ELGIN

| | |
|-------------|-------------------------------|
| LS5713761CL | LH LOWER SIDE PANEL |
| LS5713761CR | RH LOWER SIDE PANEL |
| LS5713761E | ANGLE CROSSMEMBER |
| LS5713761H | LOWER CROSSMEMBER |
| LS5713960 | FENDERS SHIM |
| LS5713978 | LH MOTOR PIVOT KIT |
| LS5713979 | RH MOTOR PIVOT KIT |
| LS5713981 | GUTTER BROOM LINK |
| LS5713983 | RH GUTTER BROOM MOTOR MOUNT |
| LS5713984 | LH GUTTER BROOM MOTOR MOUNT |
| LS5714216 | SWITCH |
| LS5714270 | PLASTIC WATER TANK |
| LS5714288 | WATER PUMP BRACKET |
| LS5714464 | WATER SYSTEM VALVE (3 VALVES) |
| LS5714465 | WATER SYSTEM VALVE, QUAD |
| LS5714581 | RH GUTTER BROOM MOTOR PIVOT |
| LS5714582 | LH GUTTER BROOM MOTOR PIVOT |
| LS5714601 | LH SIDE BROOM PIVOT |
| LS5714602 | RH SIDE BROOM PIVOT |
| LS5714606 | SIDE BROOM LINK |
| LS5714717 | RH SLIDE KEEPER |
| LS5714718 | LH SLIDE KEEPER |
| LS5714734 | RH TRAVEL LATCH |
| LS5714735 | LH TRAVEL LATCH |
| LS5714917 | SEAL RETAINER |
| LS5714940 | ELEVATOR MTG. CROSSMEMBER |
| LS5714999 | 80 MESH WATER FILTER SCREEN |
| LS5715019 | FRONT CURTAIN RETAINER |
| LS5715020 | REAR CURTAIN RETAINER |
| LS5715021 | FRONT CURTAIN |
| LS5715022 | REAR CURTAIN |
| LS5715023 | MIDDLE CURTAIN |
| LS5715119 | NEEDLE VALVE |
| LS5715214 | SPACER HINGE |
| LS5715216 | REAR TOOLBOX DOOR |
| LS5715220 | FAN COVER WELDMENT |
| LS5715227 | RUBBER SEAL |
| LS5715230 | RUBBER FAN HOUSING LINER |
| LS5715237 | ARM DAPER ADJUSTMENT |
| LS5715260 | TOOLBOX TIE BAR |
| LS5715361 | AIR CUB TUBE WELDMENT |
| LS5715717 | SUCTION HOSE WELDMENT |
| LS5715719 | LH SUCTION TOP DOOR |
| LS5715726 | SUCTION TUBE SEAL RING |
| LS5715727 | DUMP LIP RETAINER |
| LS5715728 | RUBBER DUMP LIP |
| LS5715732 | DUMP DOOR HINGE |
| LS5716538 | HOPPER SCREEN |
| LS5716826 | MAIN BROOM SPACER |
| LS5716873 | ELEVATOR CHAIN F-20 LINK |
| LS5716885 | IGNITION SWITCH |
| LS5716913 | LH SUCTION DEFLECTOR, CL |
| LS5716930 | O-RING |
| LS5716937 | IMPELLER KEY |
| LS5717023 | LH TOOLBOX SIDE DOOR |
| LS5717024 | RH TOOLBOX SIDE DOOR |
| LS5717187 | OIL TEMP HYDRAULIC SWITCH |
| LS5717188 | OIL TEMP SWITCH |

LACAL HAS MANY MORE ITEMS AVAILABLE – JUST ASK!



ELGIN

| | |
|------------|--------------------------------|
| LS5717362 | WANDER HOSE HOPPER DOOR |
| LS5717744 | REAR CURTAIN |
| LS5717745 | MIDDLE CURTAIN |
| LS5717747 | FRONT RETAINER |
| LS5717754 | PRESSURE SLOT ANGLE WELDMENT |
| LS5718517 | BACK CENTER PANEL |
| LS5718624 | SUCTION TUBE WELDMENT |
| LS5718662 | DEFLECTOR LINER |
| LS5718737 | IMPELLER SHAFT |
| LS5718792 | LH CYLINDER HOUSING |
| LS5718802 | DUMP DOOR BRACKET |
| LS5718836 | FAN-WELDMENT HOUSING |
| LS5718867 | HOPPER DUMP DOOR |
| LS5718927 | LOCKING LATCH |
| LS5718960 | AIRCUB CL DIRT HOPPER WELD. |
| LS5719134 | HOSE, 10" X 28" |
| LS5719334 | RH SUCTION PICKUP HEAD WELD. |
| LS5719421 | AIR CUB PICKUP HEAD |
| LS57194211 | P.U.H. ASSY. W/CURTAINS, SKIDS |
| LS5719432 | SUCTION TUBE WELDMENT |
| LS5719433 | INLET TUBE WELDMENT |
| LS5719589 | LH TOOLBOX |
| LS5719591 | RH TOOLBOX |
| LS5719817 | PRESSURE SLOT CURTAIN |
| LS5719933 | AIR CUB PICKUP HEAD ASSEMBLY |
| LS57199331 | AIR CUB BASIC P.U.H. ASSEMBLY |
| LS5720272 | SWITCH |
| LS6063344 | MASTER CYLINDER |
| LS6063346 | MASTER CYLINDER |
| LS6183819 | CUP BEARING |
| LS6200258 | REAR SPRAY BAR |
| LS6200275W | ROLLER SCRAPER CONVEYOR |
| LS6200478W | G.BROOM TURNBUCKLE WELD. |
| LS6200527W | CENTER DRAG SHOE HANGER |
| LS6200572 | CONVEYOR DRIVE PULLEY |
| LS6200578W | RH GUTTER BROOM MOTOR MOUNT |
| LS6200579W | LH GUTTER BROOM MOTOR MOUNT |
| LS6200582W | ADJUSTMENT BOLT |

ELGIN

| | |
|--------------|------------------------------|
| LS6200594W | BELT FLIGHT ASSEMBLY |
| LS6200616W | LH G.BROOM PIVOT MOUNT WELD. |
| LS6200617W | RH G.BROOM PIVOT MOUNT WELD. |
| LS6200619W | DIRT SHOE LIFT LINK |
| LS6200684W | ELEV. BEARING MOUNTING BRKT. |
| LS6200686W | ELEV. MOTOR MOUNTING BRKT. |
| LS6200733W | RH GUTTER BROOM BASE WELD. |
| LS6200735W | LH GUTTER BROOM BASE WELD. |
| LS6200739WC | LONG HUB |
| LS6200789W | G.BROOM PIVOT WASHER WELD. |
| LS6200799WW | PULLEY SHAFT WELDMENT |
| LS6200810W | CONVEYOR FRAME W/LINERS |
| LS6200831W | RH MAIN BROOM GUARD ASSY. |
| LS6200832W | LH MAIN BROOM GUARD ASSY. |
| LS6200852W | LOWER DOOR HINGE PIN WELD. |
| LS6200854W | HOPPER PIVOT PIN WELDMENT |
| LS6200893W | SIDE PANEL |
| LS6200899W | CONVEYOR ROLLER WELDMENT |
| LS6200908W | MAIN BROOM GUARD PIN |
| LS6200909W | MAIN BROOM RUBBER GUIDE |
| LS6200937W | CONVEYOR DRIVE TOOTH |
| LS6200961W | RUBBER M.BROOM GUARD STRAP |
| LS6200981W | CENTER HANGER DRAG STRAP |
| LS6200984W | ELEVATOR SIDE SEAL STRAP |
| LS6200986W | DIRT SHOE CLAMP PLATE |
| LS6201041WR1 | BOTTOM RUBBER RETAINER |
| LS6201432W | CROSS DRAG BRUSH CLAMP |
| LS6201586W | ELEVATOR COVER |
| LS6201903W | CONV. SWITCH BRACKET |
| LS6201915W | CONVEYOR HEIGHT ROLLER |
| LS6201927W | MAIN BROOM RUB STRAP |
| LS6201941W | HOPPER PROXIMITY PLATE |
| LS6201956W | LOWER CLAMP |
| LS6202052W | MAIN BROOM ACCESS DOOR |
| LS6202168W | LOWER CONVEYOR LINER PLATE |
| LS6202170W | UPPER CONVEYOR LINER PLATE |
| LS6202339W | GUTTER BROOM SPRAY BAR TUBE |
| LS6203039W | 4 BOLT FLANGE BEARING |

ELGIN

| | |
|------------|---------------------------------|
| LS6203110W | BUSHING, NOM. 1-1/4 X 1 X 1 |
| LS6203147W | PIVOT BUSHING |
| LS6203161W | RUBBER DRAG SHOE |
| LS6203235W | CONVEYOR TRAY BOTTOM RUBBER |
| LS6203261 | EAGLE G.BROOM, 5-SEGMENT |
| LS6203819 | HYDRAULIC BREATHER FILTER |
| LS6204095W | SPLIT TAPER BUSHING |
| LS6204098W | ELEVATOR SHAFT COUPLING |
| LS6204100 | SPLIT TAPER BUSHING |
| LS6204393W | HYDRAULIC MOTOR KEY |
| LS6204659W | CAP/SEAT-QUICK UNIJET |
| LS6204878W | BARBED ELBOW |
| LS6205189W | HOPPER/ELEVATOR SEAL |
| LS6205482W | ILLUM. ROCKER SWITCH, ON/OFF |
| LS6206180W | SCISSOR PIVOT SHAFT |
| LS6206181W | CENTER SHAFT SCISSOR PIVOT |
| LS6206185W | SCISSOR ROLLER SHAFT |
| LS6206229W | SLIDER BLOCK END CAP |
| LS6206230W | SCISSOR SLIDE |
| LS6206231W | SLIDER BLOCK |
| LS6206232W | SCISSOR SLIDE BLOCK SPACER |
| LS6206246W | LH SIDE CLAMP |
| LS6206264W | LEVEL INDICATOR BRACKET |
| LS6206275W | HOPPER WALL SEAL |
| LS6206276W | RH SIDE CLAMP |
| LS6206317W | HOPPER DOOR PIN WELDMENT |
| LS6206323W | HOPPER SUPPORT PIVOT PIN |
| LS6206356W | SCISSOR LIFT ASSEMBLY |
| LS6206448W | BELT DRIVE ELEVATOR ASSEMBLY |
| LS6206537W | HANGER CENTER DRAG FRONT |
| LS6206631W | ELEVATOR ROLLER KEEPER |
| LS6206634W | BROOM ARM BUSHING |
| LS6206738W | CONV. PIPE SPRAY BAR MNT. ASSY. |
| LS6206739W | RH DRAG ARM |
| LS6206740W | LH DRAG ARM |
| LS6206741W | MAIN BROOM ARM |
| LS6206753W | WELDMENT SHAFT CONVEYOR |
| LS6206763W | ELEVATOR CYLINDER PIN |

BEFORE BUYING ELSEWHERE, GET AN ABSOLUTELY FREE QUOTE FROM LACAL!

CONTACT US TODAY VIA PHONE 800.543.6161 or EMAIL SALES@LACAL.COM

ALL PARTS ARE GUARANTEED TO MEET WITH YOUR APPROVAL. Lecal Equipment, Inc. offers after-market parts for road and highway maintenance equipment. All original equipment manufacturer's names, drawings, colors and part numbers are used for identification purposes only. Lecal is in no way implying that any of our products are original equipment parts.

ALL PARTS ARE GUARANTEED TO MEET WITH YOUR APPROVAL. Lecal Equipment, Inc. offers after-market parts for road and highway maintenance equipment. All original equipment manufacturer's names, drawings, colors and part numbers are used for identification purposes only. Lecal is in no way implying that any of our products are original equipment parts.

THESE ARE JUST SOME OF OUR MOST REQUESTED PRODUCTS...

ELGIN

| | |
|------------|--|
| LS6206790W | MAIN BROOM GUARD RETAINER |
| LS6206793 | RUBBER DR. SHOE REINFORCEMENT |
| LS6206804W | RH SIDE SHOE STOP |
| LS6206805W | LH SIDE SHOE STOP |
| LS6206806W | RUBBER FLEX ARM |
| LS6206813W | MAIN BROOM GUARD, CURB SIDE |
| LS6206814W | MAIN BROOM GUARD, STREET SIDE |
| LS6206821W | LH MAIN BROOM ARM |
| LS6206825W | MAIN BROOM ARM PIN |
| LS6207040W | UNI-CLAMP NOZZLE |
| LS6207075W | COLLAR |
| LS6207092W | MAIN BROOM HUB, 3-HOLE |
| LS6207094W | LOCKING PIN |
| LS6207121W | HOPPER GATE |
| LS6207134W | CORE W/STUBS & HUB |
| LS6207148W | HOPPER PIVOT PIN |
| LS6207149W | SCISSOR SLIDE BLOCK ASSEMBLY |
| LS6207174W | HOPPER DUMP HYD. CYLINDER PIN |
| LS6207207W | CHAIN W/SQUEEGEE MOUNTS |
| LS6207356W | PULLEY, ASSEMBLY, DRIVE, CONV. |
| LS6207402W | ELEVATOR WASHOUT PIPE |
| LS6207526W | SCISSOR CYLINDER SHAFT |
| LS6207702W | LH SIDE BROOM LIFT LINK |
| LS6207707W | RH SIDE BROOM LIFT LINK |
| LS6207801W | MAIN BROOM ARM |
| LS6207837W | ELEVATOR HYDRAULIC CYLINDER |
| LS6208035W | STUB SHAFT |
| LS6208046W | DRAG HANGER REPLACEMENT KIT |
| LS6208047W | CROSS DRAG WELDMENT |
| LS6208083W | HOPPER INSPECTION DOOR WELD. |
| LS620813W | C.S. MAIN BROOM GUARD |
| LS620814W | LH MAIN BROOM GUARD |
| LS620833W | CONVEYOR ROLLER |
| LS6500614W | GREASE FITTING |
| LS650172 | LH TOOL BOX SKIRT |
| LS7070010 | PAPER FILTER |
| LS7075154 | DRAIN PLUG |
| LS7076230 | OIL COOLER FAN |
| LS7076232 | OIL COOLER SHROUD |
| LS7077505 | INNER BEARING CONE |
| LS7077506 | WHEEL STUD |
| LS7077508 | HUB CAP |
| LS7077509 | GREASE SEAL (GUIDE WHEEL ASSY) |
| LS7078456 | AXLE BOLT W/LOCK NUT, GR 8 |
| LS7078463 | CASTER WHEEL |
| LS7078464 | CASTER FORK |
| LS7078465 | RUBBER CASTER WHEEL |
| LS7078484 | WHEEL W/BEARING, 8" X 3" WITH 3/4" AXLE ID |
| LS7079719 | TRANSFER FUEL PUMP JD |
| LS7171209 | CROSS ARM BEARING KIT |
| LS7171722 | SOLENOID VALVE (N.C.) |
| LS7171723 | 12 VOLT COIL |
| LS7171747 | SOLENOID VALVE (N.O.) |
| LS7171752 | COIL |
| LS7171799 | 12 VOLT COIL W/CONNECTORS |
| LS7172107 | COVER SEAL |
| LS7172317 | CW BLOWER WHEEL |

ELGIN

| | |
|-----------|----------------------------|
| LS7172355 | A/C FILTER |
| LS7173428 | RAIL CHAIN, 57" |
| LS7173433 | D CHAIN SHEAVE |
| LS7173439 | CARRIAGE CHAIN, 53-1/2 |
| LS7173547 | FILTER |
| LS7174002 | FUEL FILTER |
| LS7174376 | INNER AIR FILTER |
| LS7174378 | FUEL FILTER |
| LS7174392 | FILTER |
| LS7174393 | FILTER |
| LS7174397 | OUTER AIR FILTER |
| LS7175415 | BLOWER MOTOR |
| LS7175806 | CALIPER STARTER KIT |
| LS7175950 | WATER FILTER O-RING SEAL |
| LS7179958 | SERPENTINE BELT |
| LS7199004 | SHAFT SCREW W/LOCKWASHER |
| LS7199005 | FIBER GUARD |
| LS7199067 | CROSSWIND COMBO TUBE BROOM |
| LS7270618 | 12 VOLT COIL |
| LS7270648 | 12 VOLT COIL |
| LS7271305 | GASKET, BUNA N |
| LS7271309 | MECHANICAL SEAL, .625" |

ASSEMBLIES SAVE YOU TIME & MONEY

Let Lecal Give You a Head Start!

Instead of individual parts, order whole completed machine sections. Look for the word "ASSEMBLY" (or "ASSY") in our product listings or just ask!

| | |
|-------------|----------------------------|
| LS7271326 | PUMP BASE WELDMENT |
| LS7272512 | SEAL KIT |
| LS7273840 | DRIVE KEY |
| LS7274030 | SOLENOID VALVE CARTRIDGE |
| LS7274118 | OUTER BEARING |
| LS7274148 | COUPLING SHAFT |
| LS7274249 | BEARING |
| LS7274428 | SEAL REPAIR KIT |
| LS7274554 | STACK VALVE, 1/4" PORTS |
| LS7275114 | SINGLE WATER VALVE |
| LS7276014 | PACKING KIT |
| LS7372417 | WIPER ARM |
| LS7372418 | WIPER BLADE, 24" |
| LS7372419 | BUSHING |
| LS7374020 | SOLENOID VALVE |
| LS75393 | SUBFRAME TUBE WELDMENT |
| LS7711545 | ELEVATOR DRAPE KIT, 3-PC. |
| LS787310390 | WHOLE PLATE DRAG SHOE, 39" |
| LS787314090 | SR CARBIDE SHOE, 24" |
| LS787314190 | DR RUNNER W/PLATE, 24" |
| LS7873203 | MV POLY TUBE BROOM, 54" |
| LS7873207 | WHIRLWIND TUBE BROOM |
| LS7873208 | CROSSWIND POLY TUBE BROOM |

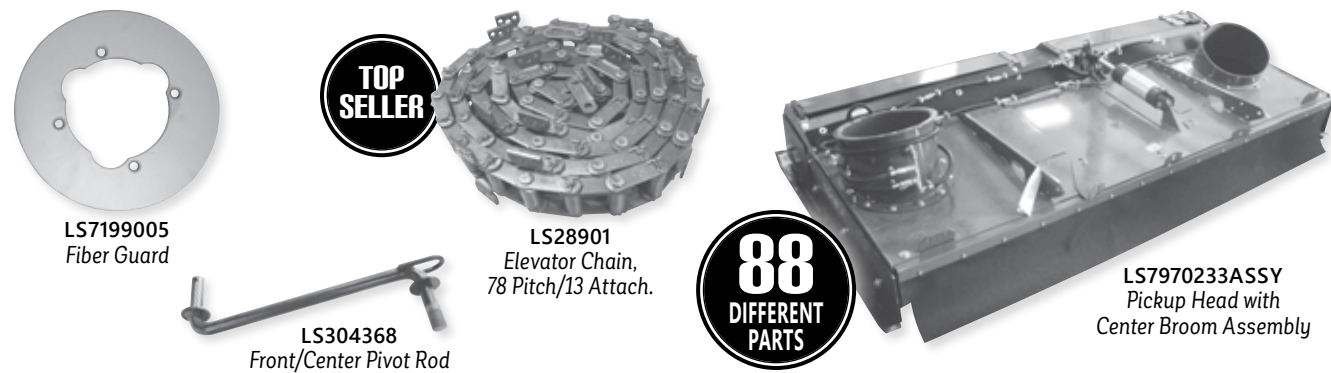
ELGIN

| | |
|---------------|--|
| LS7873221 | GUTTER BROOM, 4-SEGMENT |
| LS7873222 | GUTTER BROOM, 5-SEGMENT |
| LS7873241 | ALL-PRO STRIP BROOM |
| LS7970066 | PELICAN POLY STRIP BROOM SET |
| LS7970068 | EAGLE/ROAD WIZARD STRIP BROOM SET, 60" |
| LS7970076 | PELICAN MANDREL, 66" |
| LS7970089 | HD EAGLE POLY TUBE BROOM, 60" |
| LS7970096 | POLY WAFER BROOM, 10 X 36 |
| LS7970149 | SWEEP SELECT SWITCH |
| LS7970163 | CONV. SPROCKET & CHAIN KIT |
| LS7970171 | HYDRAULIC FILTER KIT |
| LS7970173 | CHEVRON 2-CLEAT SPICE KIT |
| LS7970174 | BELT SECTION, 2-CLEAT |
| LS7970224 | RH DIRT DEFLECTOR W/TOW BAR |
| LS7970224C | RH DIRT DEFLECTOR W/TOW BAR |
| LS7970225 | LH DIRT DEFLECTOR W/TOW BAR |
| LS7970225C | LH DIRT DEFLECTOR W/TOW BAR |
| LS7970226 | CONVEYOR MOTOR ASSEMBLY |
| LS7970233 | P.U. HEAD W/CENTER BROOM KIT |
| LS7970233ASSY | PICKUP HEAD W/CENTER BROOM ASSEMBLY |
| LS79702331 | PICKUP HEAD KIT, BAH, "SHORT" |
| LS7970237 | CENTER BROOM REPL. KIT |
| LS7970237ASSY | CENTER BROOM REPL. ASSY. |
| LS7970240 | UPPER CONVEYOR HANGER KIT |
| LS7970241 | LOWER CONVEYOR HANGER KIT |
| LS7970256 | PICKUP HEAD ASSY., C'WIND FSX |
| LS7970316 | M.BROOM COVER KIT, PLASTIC |
| LS7970317 | M.B. COVER KIT W/LEAF CURTAIN |
| LS7970318 | MAIN BROOM KIT, COMPLETE |
| LS7970335 | HOPPER CYL. PIVOT MOUNTING |
| LSAIRCUB1 | AIRCUB CURTAIN SET |
| LSAIRCUB2 | AIRCUB CURTAIN SET |
| LSBBBK2 | BROOM BEAR LINER HDW. KIT |
| LSBBMAXELK | BROOM BEAR MAXI KIT |
| LSBBMAXIK1 | BROOM BEAR MAXI ELEVATOR KIT |
| LSBBMINELK | BROOM BEAR MINI ELEVATOR KIT |
| LSEGA19 | DR SHOE |
| LSEL1 | DIRT SHOE SET |
| LSEL2 | DIRT SHOE & BAFFLE STRIP SET |
| LSEL3 | DIRT SHOE SET |
| LSEL4 | DIRT SHOE SET |
| LSELCGBHIASSY | CROSSWIND BLOWER HOUSING & IMPELLER ASSEMBLY |
| LSELCJPUH | CROSSWIND J PICKUP HEAD |
| LSELCJPUH1 | C'WIND J PICKUP HEAD ASSY |
| LSM1004446 | SIDE CURTAIN |
| LSRSCMB | EAGLE REAR SIDE COWLING BRKT. |
| LSSW40003 | LH MOUNT BRACKET |
| LSWH441 | 44" STD. CABLE/WIRE COMBO |

FMC
SEE JOHNSTON GLOBAL - PAGE 55

CHECK OUT OUR WIDE SELECTION OF BROOMS AVAILABLE FOR YOUR MACHINE STARTING ON PAGE 32.

LACAL HAS MANY MORE ITEMS AVAILABLE – JUST ASK!



JOHNSTON GLOBAL

| | |
|-------------|------------------------------------|
| LB30229 | POLY TUBE BROOM, SQ. DRIVE |
| LB314M | STRIP BROOM MANDREL, 18 STRIP |
| LB34430562 | GUTTER BROOM, 12-SEGMENT |
| LB37511 | POLY TB PM10 |
| LB413 | VANGUARD CTR. SWEEP MANDREL |
| LB456 | ALL PRO, VANGUARD, 13 STRIP, 56.5" |
| LB607 | 18" WOODBACK GUTTER BROOM |
| LB724 | GUTTER BROOM, 4-SEGMENT |
| LS0549911 | LATCH & HOLDER KIT |
| LS0574737 | POLY GUTTER BROOM, 4-SEGMENT |
| LS116211 | RUBBER FLAP |
| LS120136 | ELEVATOR CHAIN, COTTER STYLE |
| LS120384 | ELEVATOR FLIGHT RUBBER |
| LS120751 | POLY IDLER |
| LS120752 | ELEVATOR SPROCKET |
| LS121815 | ELEVATOR SPROCKET RETAINER |
| LS122602 | STRIP BROOM (2PC OF LB422A) |
| LS124194 | SPROCKET SLEEVE |
| LS124312 | FLIGHT ANGLE WELDMENT, 9-HOLE |
| LS124316 | ELEVATOR FLIGHT RUBBER |
| LS1447 | WIDE SWEEP BRUSH BEARING |
| LS1452 | BEARING |
| LS159161 | HOSE, 8" X 6-FT. X 3 |
| LS159171 | HOSE, 8" X 42" W/3" CUFFS |
| LS2000501 | CURTAIN WELDMENT |
| LS2007121 | REAR MESH W/ASSEMBLY |
| LS202577 | CLAMP |
| LS203132 | ANGLE |
| LS203U51 | RH D/S, BREAKAWAY |
| LS204513 | DEFLECTOR FLAP |
| LS205295 | MUD FLAP |
| LS205829 | SPACER |
| LS210137 | FLIGHT ANGLE |
| LS211368 | DIRT SHOE |
| LS211531 | DEFLECTOR ASSEMBLY FRONT |
| LS211669 | UPPER ELEVATOR FLAP |
| LS212065 | ELEVATOR FLAP |
| LS2214111 | BOTTOM CURTAIN |
| LS2214141 | BLISTER FLAP |
| LS2411002 | DEFLECTOR |
| LS241484 | FLAP |
| LS2800001 | BLOWER WHEEL |
| LS2808301SP | IMPELLER & SECURING KIT |

JOHNSTON GLOBAL

| | |
|----------------|---------------------------------------|
| LS2813721 | WATER VALVE ASSEMBLY, 12V |
| LS2825771 | FLAP INTAKE (N) |
| LS2828111 | MOUNTING BRACKET |
| LS2828171 | KEY |
| LS28901 | ELEV. CHAIN, 78P. /13 ATTACH. |
| LS29160500 | SEAL KIT |
| LS291851SP | IMPELLER & SECURING KIT |
| LS291853 | IMPELLER SECURING KIT |
| LS295050406 | VT650 TUBE BROOM |
| LS300003 | BUMPER (VANGUARD) |
| LS300024 | MOTOR BRACKET |
| LS300026 | ELEVATOR ARCH WELD., 10-GA. |
| LS300054 | UPPER ELEVATOR SHAFT |
| LS300063 | DEFLECTOR PAD |
| LS3000EL1PC11A | ELEVATOR ASSEMBLY, 1-PC FLR., 11-FLT. |
| LS3000EL2PC11A | ELEVATOR ASSEMBLY, 2-PC FLR., 11-FLT. |
| LS300115 | HYDRAULIC FILTER ELEMENT |
| LS300234 | WIPER RING (VANGUARD) |
| LS30025501 | SPROCKET SHIELD |
| LS300278SCH | HEAD W/REMOVABLE PRES TRANS |
| LS300284 | RING (VANGUARD) |
| LS300905 | GUTTER BROOM PLATE |
| LS300930 | RH RUBBER DIRT SHOE ASSY |
| LS300931 | LH RUBBER DIRT SHOE ASSEMBLY |
| LS300946 | NIPPLE WELDMENT |
| LS300993 | GUTTER BROOM CABLE |
| LS301149 | GUTTER BROOM, 12-SEGMENT |
| LS301238 | RH PLATE |
| LS301239 | LH PLATE |
| LS301297 | RH BRACKET |
| LS301298 | LH BRACKET |
| LS301300 | FIBER DEFLECTOR |
| LS301310 | BREATHER (IN HOPPER) |
| LS301413 | BACKING BAR |
| LS302092 | BROOM COVER VANGUARD |
| LS302171 | ACCUMULATOR |
| LS302191 | GUTTER BROOM PLATE |
| LS302199 | PRESSURE GAUGE |
| LS302318 | BUMPER |
| LS302499 | SLEEVE |
| LS302532 | LH STRIP BRUSH |
| LS302533 | RH STRIP BRUSH |
| LS302557 | GUTTER BROOM CABLE ASSY |

JOHNSTON GLOBAL

| | |
|------------|-----------------------------|
| LS302578 | LH DIRT SHOE DEFLECTOR |
| LS302579 | RH DIRT SHOE DEFLECTOR |
| LS302591 | RH RUBBER DIRT SHOE RUNNER |
| LS302592 | LH RUBBER DIRT SHOE RUNNER |
| LS30264 | SHACKLE |
| LS303103 | ELEVATOR STOP |
| LS303173 | MAIN BROOM ARM ASSEMBLY |
| LS303337 | LH REAR PIVOT ROD |
| LS30333701 | RH REAR PIVOT ROD |
| LS303403 | SINTERED BRONZE BEARING |
| LS303463 | HARDENED BUSHING |
| LS303464 | BROOM ARM WELDMENT |
| LS303504 | PLATE |
| LS303562 | RUBBER SEAL |
| LS303575 | GUARD |
| LS303874 | PIPE WELDMENT |
| LS303881 | LIFT LINK PLATE |
| LS303882 | LIFT LINK ASSEMBLY |
| LS304175 | RH BEARING & BRACKET ASSY. |
| LS304368 | FRONT/CENTER PIVOT ROD |
| LS304386 | SHAFT |
| LS304570 | PICKUP HEAD CURTAIN CLAMP |
| LS304586 | DEFLECTOR |
| LS304587 | FLAP |
| LS304609 | BRACKET DEFLECTOR |
| LS304610 | DEFLECTOR RETAINER |
| LS304611 | DEFLECTOR |
| LS304659 | PICKUP HEAD |
| LS304660 | VANGUARD PICKUP HEAD ASSY. |
| LS304776 | STEEL TUBE SPACER |
| LS304852 | SHOE |
| LS304854 | DEFLECTOR |
| LS304864 | SPECIAL STUD |
| LS304900 | FLAP |
| LS304973 | FILTER-PANEL |
| LS305024 | BLAST FLAP CLAMP |
| LS305053 | CLEVIS WELDMENT |
| LS305054 | SHOCK ABSORBER |
| LS305086 | LINK LIFT |
| LS305207 | PILLOW BLOCK BEARING |
| LS305368 | SPEED NUT |
| LS305434 | DEFLECTOR FLAP INSTALLATION |
| LS305670 | DISCONNECT CAP |
| LS306093 | MOUNTING BRACKET |

BEFORE BUYING ELSEWHERE, GET AN ABSOLUTELY FREE QUOTE FROM LACAL!

CONTACT US TODAY VIA PHONE 800.543.6161 or EMAIL SALES@LACAL.COM

THESE ARE JUST SOME OF OUR MOST REQUESTED PRODUCTS...

JOHNSTON GLOBAL

| | |
|----------|----------------------------------|
| LS306095 | CLAMP |
| LS306096 | FLIGHT SQUEEGEE |
| LS306236 | 2-PIECE RUBBER ANGLE ASSY. |
| LS306265 | FLAP |
| LS306978 | SEAL |
| LS307119 | FLAP |
| LS307131 | FLAP |
| LS307280 | WATER PUMP |
| LS308008 | FLIGHT ASSEMBLY BACKUP ANGLE |
| LS308292 | 4-BOLT FLANGE BEARING W/CAP |
| LS308301 | IDLE HALF SPLIT SHAFT |
| LS30847 | SPRAY NOZZLE |
| LS308612 | ELEVATOR HYDRAULIC MOTOR |
| LS308671 | ELEVATOR FLOOR PLATE |
| LS308685 | SPRAY WATER PUMP |
| LS308710 | SPLIT SPROCKET, 2-PC. SHAFT |
| LS308716 | HIGH PRESSURE FILTER ELEMENT |
| LS308717 | HARD SPLIT SPROCKET, 1-PC. SHAFT |
| LS308769 | SPACER |
| LS308826 | LH ELEVATOR SIDE PANEL WELD. |
| LS308827 | RH ELEVATOR SIDE PANEL WELD. |
| LS308829 | MOTOR SIDE UPPER SHAFT HALF |
| LS308831 | BRACKET |
| LS308832 | HALF SHAFT ASSEMBLY |
| LS308833 | MOTOR SIDE SHAFT ASSEMBLY |
| LS308906 | LH NIPPLE WELDMENT |
| LS308918 | LH PUB ARM ASSEMBLY |
| LS309297 | GUTTER BROOM MOTOR |
| LS309350 | SHAFT WELDMENT |
| LS309366 | FLIGHT MOUNTING BRACKET |
| LS309645 | CLAMP SET |
| LS310116 | GUTTER BROOM PULLEY |
| LS310239 | RH ELEVATOR PIVOT WELDMENT |
| LS310590 | UPPER ELEV. FLOOR PLATE WELD. |
| LS310921 | LOWER ELEV. FLOOR PLATE WELD. |
| LS310947 | FLIGHT ANGLE |
| LS310948 | FLIGHT ASSEMBLY |
| LS311318 | MUFFLER |
| LS311740 | MOTOR |
| LS311894 | LH M.B. BRG. MOUNTING PLATE |
| LS312361 | ELEVATOR SIDE SEAL |
| LS312568 | DEFLECTOR FLAP |
| LS312745 | FIBER GUARD |
| LS312834 | SPLASH GUARD |
| LS313915 | SPRAY WATER PUMP |
| LS313916 | WATER PUMP |
| LS314201 | WATER PUMP |
| LS314202 | WATER PUMP |
| LS314491 | FLAP |
| LS314647 | DEFLECTOR |
| LS314741 | WEATHERPROOF RELAY |
| LS316114 | LH PICKUP B. ARM ASSEMBLY |
| LS316270 | ELEVATOR SIDE SEAL |
| LS317021 | GAS SPRING W/END CONNECTORS |
| LS317366 | RAISE/LOWER ROCKER SWITCH |
| LS317439 | RH GUTTER BROOM SUPPORT |
| LS317441 | LH GUTTER BROOM SUPPORT |
| LS317582 | STEP WELDMENT |

JOHNSTON GLOBAL

| | |
|------------|--|
| LS317646 | GUTTER BROOM STOP WELDMENT |
| LS317788 | PUB DIRT SHOE ASSEMBLY |
| LS319031 | ACTUATOR RE. SPCR, SHORT G.B. |
| LS319044 | LINEAR ACTUATOR (VANGUARD) |
| LS319163 | ELEVATOR ASSY, 2-PC. FLR. 7-FLT. |
| LS319164 | ELEVATOR ASSY, 2-PC. FLR., 11-FLT. |
| LS319165 | ELEVATOR ASSY, 1-PC. FLR., 7-FLT. |
| LS319220 | SHOCK ABSORBER ASSEMBLY |
| LS31923 | DEFLECTOR |
| LS319544 | PIVOT BRACKET WELDMENT |
| LS319548 | FRONT DEFLECTOR |
| LS319580 | BACKING STRIP |
| LS319588 | FLIGHT ANGLE |
| LS319591 | FLIGHT ASSEMBLY |
| LS32084901 | CABLE ASSEMBLY, 158" |
| LS320914 | GUTTER BROOM, 4-SEGMENT |
| LS320962 | POLY GUTTER BROOM, 4-SEGMENT |
| LS32105 | DOUBLE SPROCKET |
| LS322035 | ELBOW, 11/16 MALE UN X 1/2H |
| LS322048 | SPRAY BAR BRACKET |
| LS322572 | BOTTOM ELEVATOR SHIELD |
| LS322789 | FUEL PUMP, 12V |
| LS322847 | BRACKET WELDMENT |
| LS322896 | ELEVATOR FLAP RUBBER SEAL |
| LS322921 | BRACKET WELDMENT |
| LS322972 | ELEVATOR LIP RUBBER FLAP |
| LS323131 | FLAP, PICKUP B. RUBBER |
| LS323246 | ELEVATOR BOTTOM PLATE ASSEMBLY-LEAF SW |
| LS323385 | LOWER ELEVATOR SHIELD SEAL |
| LS323533 | GUTTER BROOM MOTOR |
| LS323760 | HYD. FILTER ELEMENT, SPIN ON |
| LS323814 | SWITCH, ROCKER (N) |
| LS323892 | LONG RETAINER PLATE |
| LS323978 | RH FENDER WELDMENT |
| LS323986 | HINGE COVER |
| LS323989 | RH FRONT COVER |
| LS323991 | BATTERY COVER PLATE |
| LS324079 | SUPPORT PLATE RUBBER SEAL |
| LS324795 | RH/LH RUBBER DIRT SHOES |
| LS324796 | RH/LH CARBIDE DIRT SHOES |
| LS324797 | RH/LH POLY DIRT SHOES |
| LS325305 | SEAL SUPPORT BRACKET |
| LS325306 | ELEVATOR TOP SEAL SUPPORT |
| LS325947 | LEAF GATE LIP RUBBER FLAP |
| LS325954 | LEAF GATE ROLLER, 1-1/4" DIA. |
| LS326020 | ELEVATOR LEAF GATE WELDMENT |
| LS326280 | HINGE PIN ASSEMBLY |
| LS326281 | SNAP RING |
| LS326282 | BUSHING |
| LS326480 | SPLASH GUARD DEFLECTOR |
| LS326605 | END RUBBER FLAP |
| LS326954 | CENTER DEFLECTOR BRACKET |
| LS326956 | DEFLECTOR PLATE-BENT |
| LS327053 | ELEVATOR ASSEMBLY, 11-FLT. |
| LS327670 | SS SHAFT, 27.63 |
| LS329832 | SPLIT SPROCKET, HARDENED |
| LS33314 | CLAMP |

JOHNSTON GLOBAL

| | |
|------------|---------------------------------|
| LS34056 | FLAP |
| LS34360A | SPROCKET HUB |
| LS34370 | DEFLECTOR |
| LS34430562 | GUTTER BROOM |
| LS34691 | 7-FLT. BELT W/HARD, 2-BOLT MTG. |
| LS34691A | 7-FLIGHT BELT |
| LS350052 | PUB SHAFT |
| LS350475 | HARDENED SPROCKET |
| LS350565 | BEARING BRACKET WELDMENT |
| LS350567 | BOLT RETAINER PLATE |
| LS350577 | ELEVATOR SIDE PLATE |
| LS350859 | CIRCUIT BREAKER, 30 AMP |
| LS350870 | RH P.U. B. ARM & BUSHING ASSY. |
| LS350902 | HUB |
| LS351159 | DRAIN PLUG ASSEMBLY |
| LS323814 | SWITCH, ROCKER (N) |
| LS351027 | FLANGE BEARING |
| LS351490 | CABLE ASSEMBLY |
| LS352391 | FLANGE BEARING, 4-BOLT HSG. |
| LS352394 | RH URETHANE DIRT SHOE |
| LS352395 | LH URETHANE DIRT SHOE |
| LS352396 | RH POLY DIRT SHOE ASSEMBLY |
| LS352397 | LH POLY DIRT SHOE ASSEMBLY |
| LS352403 | LH SIDE PLATE WELDMENT |
| LS352404 | RH SIDE PLATE WELDMENT |
| LS352406 | RH PUB ARM & BUSHING ASSY. |
| LS352410 | LH PUB ARM & BUSHING ASSY. |
| LS353013 | PICKUP BROOM DEFLECTOR FLAP |
| LS353107 | RELAY, 65 AMP |
| LS354655 | RH UPPER ELEV. HALF SHAFT ASSY. |
| LS354656 | LH UPPER ELEV. HALF SHAFT ASSY. |
| LS354889 | SPLASH GUARD |
| LS354980 | Y-STRAINER FILTER W/LANYARD |
| LS35526 | BRACKET ASSEMBLY |
| LS35531 | BRACKET ASSEMBLY |
| LS35532 | BRACKET ASSEMBLY |
| LS36008 | DEFLECTOR |
| LS36054 | DIRT SHOE |
| LS36083 | DIRT SHOE DEFLECTOR |
| LS36680 | SPACER |
| LS36683 | DRIVE CHAIN, 79 LINKS |
| LS380867 | FRONT PUMP GEAR |
| LS381200 | SOLENOID VALVE |
| LS381256 | COIL |
| LS381745 | 7-FLIGHT ELEVATOR BELT, 1 STUD |
| LS381746 | 11-FLIGHT ELEVATOR BELT, 1 STUD |
| LS381953 | A/C CAB FILTER |
| LS38679 | DEFLECTOR |
| LS402491 | LH & RH WEAR PLATE |
| LS402951 | TOW PIN WELDMENT |
| LS403041 | HINGE PLATE |
| LS403601 | PIVOT PIN |
| LS403641 | BUMPER |
| LS403771 | BUSHING |
| LS403821 | LINK |
| LS403891 | PIVOT PIN |
| LS404921 | COVER |

LACAL HAS MANY MORE ITEMS AVAILABLE – JUST ASK!

JOHNSTON GLOBAL

| | |
|----------------|--------------------------------|
| LS41251 | RUBBER WEAR PLATE |
| LS41479 | BLADE EXTENSION |
| LS41480 | DIRT DEFLECTOR |
| LS418731 | SPRING SPACER |
| LS419111 | SPRING RETAINER |
| LS422301 | FAN HOUSING |
| LS422781 | SPACER |
| LS422841 | MASK FAN CASE |
| LS423821 | DIAPHRAGM |
| LS425331 | MOTOR MOUNT |
| LS426331 | PLATE |
| LS426591 | TRIANGULAR WASHER |
| LS427231 | TAB WASHER |
| LS427291 | FLAP PIVOT PIN |
| LS429521 | FLAP ACTUATOR LEVER |
| LS42988 | DIRT DEFLECTOR |
| LS43008 | DIRT DEFLECTOR BLADE |
| LS43099/100KIT | LH & RH TRIANGULAR DIRT SHOES |
| LS44754 | BLADE DEFLECTOR REAR |
| LS44755 | FLAP ASSEMBLY |
| LS44757 | BLADE DEFLECTOR |
| LS45806 | LH DEFLECTOR PLATE |
| LS45807 | RH DEFLECTOR PLATE |
| LS45842 | LH MUD FLAP |
| LS46199 | FLAP |
| LS46453 | LH DEFLECTOR ASSEMBLY |
| LS46454 | RH DEFLECTOR ASSEMBLY |
| LS505551 | REAR MESH, STD. BODY |
| LS5100001375 | SKID SPACER (GLADIATOR) |
| LS51266 | FLAP |
| LS51943 | LUBE FITTING, 90-DEG. |
| LS52323 | SWITCH |
| LS53173 | EXTENSION TOP |
| LS53178 | DEFLECTOR |
| LS54990 | SLIDING LATCH |
| LS54991 | SEGMENT HOLDER |
| LS56393 | SKT CAP SCREW W/NYLON PATCH |
| LS57301 | ELEVATOR STUD |
| LS60041 | HOSE, 6" X 72" W/3" CUFFS |
| LS610263 | INNER AIR FILTER |
| LS620541 | BEARING HOUSING |
| LS620611 | BRUSH SIDE SWEEP WELDMENT |
| LS620641 | WASHER |
| LS620751 | RETAINING STRIP |
| LS621011 | BEARING SIDE WSB PLATE |
| LS621021 | MOTOR END PLATE, 380 DIA. |
| LS621091 | HOOD WELDMENT |
| LS622461 | HEEL |
| LS622602 | NOZZLE RUBBER SET, RED RUBBER |
| LS6226033 | GREEN RUBBER NOZZLE SET, 4-PC. |
| LS623571 | FORMED STRIP |
| LS624541 | CLAMPING STRIP W/HARDWARE |
| LS628171 | MUD FLAP |
| LS628211 | MUD FLAP PLATE |
| LS628221 | MUD FLAP BRACKET |
| LS628231 | BRUSH CURTAIN PLATE WELDMENT |
| LS630631 | ANGLE |
| LS630641 | RETAINING STRIP |

JOHNSTON GLOBAL

| | |
|---------------|---------------------------------|
| LS630642 | RETAINING STRIP |
| LS634921 | SPINDLE W/ZERK |
| LS634941 | COLLAR |
| LS635181 | FORK WELDMENT |
| LS635301 | DRAW BAR |
| LS636621 | HOSE, 9" X 34" W/3" CUFFED ENDS |
| LS636651 | RETAINING STRIP |
| LS636661 | PLATE |
| LS636671 | PLATE |
| LS6502A | SQUEEGEE |
| LS6563 | PLUG |
| LS7030843ASSY | ELEVATOR FLIGHT ASSEMBLY |
| LS70542 | BEARING |
| LS83661 | GUTTER BROOM, 2-PC. |
| LS890919004 | CHAIN, 4 LINKS |
| LS890919012 | CHAIN, 12 LINKS |
| LS890919014 | CHAIN, 14 LINKS |
| LS890919015 | CHAIN, 15 LINKS |
| LS891008 | STRIP RUBBER, 8-FT. |
| LS896663003 | CHAIN, 1/4" X 2 LINKS |
| LS896663022 | CHAIN, 1/4 |
| LS91306 | ZINC SOCKET HEAD BOLT, M8 X 40 |
| LS91306 | ZINC SOCKET HEAD BOLT, M8 X 40 |

LACAL REBUILDS STREET SWEEPERS

See pages 18-21 to discover what our Street Sweeper Rebuilding Service can do for you, then call 800.543.6161 for more info.

| | |
|-----------|-------------------------------|
| LS928201 | BROOM COVER WELDMENT |
| LS938701 | BLOWER HOUSING W/LINATEX |
| LS949542 | MAIN AIR FILTER |
| LS949903 | NOZZLE PIPE |
| LS949922 | NOZZLE TRUNKING, 10" X 39.37" |
| LSA124311 | ELEVATOR FLIGHT ASSY., 9-HOLE |
| LSK124193 | 10T POLY SPROCKET KIT |

MOBIL

| | |
|------------|--------------------------------|
| LB065 | PLASTIC GUTTER BROOM BLOCK |
| LB458A | STRIP BROOM - SINGLE |
| LS108410 | SET SCREW, SQ. HEAD, CUP POINT |
| LS11445 | SNAP RING |
| LS129105 | KEY, 5/16 SQ. X 1 |
| LS1293425 | KEY |
| LS129421 | KEY |
| LS13130777 | BEARING |
| LS14010 | CLEVIS PIN |
| LS1407 | CLEVIS PIN |
| LS1408 | PLAIN CLEVIS PIN |
| LS2219 | O-RING |
| LS25104 | POLY TUBE BROOM |
| LS28168 | HOSE BARB, 3/8" MNPT X 1/2" |
| LS28168 | HOSE |
| LS5713880 | CENTER SWEEP MANDREL, 58" |

MOBIL

| | |
|----------------|---|
| LS80B13HT | SPROCKET, 13T |
| LSA4026661 | H-10 ELEVATOR ASSY, STD. SHOE |
| LSA402750 | DEFLECTOR PLATE ASSEMBLY |
| LSA402879 | DEFLECTOR ASSEMBLY |
| LSA402880 | FRONT DIRT DEFLECTOR ASSY. |
| LSA403178 | DIRT SHOE SPRING |
| LSA403560 | CURTAIN ASSEMBLY |
| LSA403561 | DEFLECTOR CURTAIN ASSEMBLY |
| LSA801561 | ELEVATOR FLAP ASSEMBLY |
| LSA80340 | M7 ELEVATOR FRAME, 4-YD. |
| LSA803541 | FRONT SPRAY BAR ASSEMBLY |
| LSA803571 | UPPER SHAFT ASSEMBLY |
| LSA803572 | LOWER SHAFT ASSEMBLY |
| LSA803597A | FLIGHT ASSEMBLY |
| LSA80386 | LOWER SHAFT ASSEMBLY |
| LSA80397 | ELEVATOR DRAPE |
| LSA80397B | DRAPE HINGE SLEEVE |
| LSA80397HD | HEAVY DUTY DRAPE ASSEMBLY |
| LSA80397HDE | HD RUBBER DEFLECTOR |
| LSA80405 | ELEVATOR FLIGHT ASSEMBLY |
| LSA805044 | M9A ELEVATOR FRAME, STD. SHOE |
| LSA8050442 | M9B/D/E 5-YD FRAME, ASSEMBLED |
| LSA8050442U | M9B 5-YD. FRAME, ASSEMBLED |
| LSA8050443 | M9B 5-YD. FRAME KIT |
| LSA8050444 | M9A-M8A 5-YD. FRAME KIT |
| LSA8050445 | M9B UNASSEMBLED FRAME & PARTS |
| LSA805044A | RH UPPER SIDE PANEL |
| LSA805044AASSY | ELEVATOR PANEL ASSEMBLY |
| LSA805044B | LH UPPER SIDE PANEL |
| LSA805044HD | M9A STD. SHOE ELEVATOR FRAME |
| LSA805044P | RH SLIDE BAR |
| LSA805044Q | LH SLIDE BAR |
| LSA805045 | M9A SPRING SHOE ELEV. FRAME |
| LSA80510 | LH LIFT CAM |
| LSA80514 | TENSION SPRING ASSEMBLY |
| LSA80570 | RH LIFT CAM |
| LSA80609 | HOOD HOLD DOWN ASSEMBLY |
| LSA806436 | BLACK BROOM COVER ASSEMBLY W/ENDS |
| LSA806437 | WHITE BROOM COVER ASSEMBLY W/ENDS |
| LSA807580 | DIRT DEFLECTOR ASSEMBLY |
| LSA808175 | LOWER ELEVATOR SHAFT ASSY. |
| LSA808175U | LOWER SHAFT 10T SPROCKET ASSEMBLY |
| LSA808177 | UPPER ELEVATOR SHAFT ASSY. |
| LSA808177U | UPPER SHAFT ASSEMBLY W/10T POLY SPROCKET |
| LSA80864 | STEEL BROOM COVER ASSEMBLY |
| LSA808954 | FLIGHT ASSEMBLY |
| LSA810961 | M-7 ELEVATOR FRAME ASSY., 3-YD. |
| LSA8109631 | M-7 FRAME PIVOT |
| LSA811422 | M9D HOPPER ASSEMBLY WITH WINDOWS (NO GLASS) |
| LSA812171 | DRAG LINK ASSEMBLY |
| LSA813148 | M9E HOPPER, ASSEMBLED |
| LSA813824 | LIMIT SWITCH |
| LSA82649 | UPPER SHAFT ASSEMBLY |

BEFORE BUYING ELSEWHERE, GET AN ABSOLUTELY FREE QUOTE FROM LACAL!

ALL PARTS ARE GUARANTEED TO MEET WITH YOUR APPROVAL. Local Equipment, Inc. offers after-market parts for road and highway maintenance equipment. All original equipment manufacturer's names, drawings, colors and part numbers are used for identification purposes only. Local is in no way implying that any of our products are original equipment parts.

CONTACT US TODAY VIA PHONE 800.543.6161 or EMAIL SALES@LACAL.COM

ALL PARTS ARE GUARANTEED TO MEET WITH YOUR APPROVAL. Local Equipment, Inc. offers after-market parts for road and highway maintenance equipment. All original equipment manufacturer's names, drawings, colors and part numbers are used for identification purposes only. Local is in no way implying that any of our products are original equipment parts.

THESE ARE JUST SOME OF OUR MOST REQUESTED PRODUCTS...

MOBIL

| | |
|---------------|---------------------------------|
| LSA82739A | CHAIN KIT |
| LSA83534AIR | RH AIR GUTTER BROOM ASSY. |
| LSA83534MECH | RH MECH. GUTTER BROOM ASSY. |
| LSA83545 | M8 ELEVATOR FRAME, 4 YD. |
| LSA835451 | M8 ELEVATOR FRAME ASSY., 4-YD. |
| LSA83633AIR | LH AIR GUTTER BROOM ASSEMBLY |
| LSA83633MECH | LH MECH. GUTTER BROOM ASSY. |
| LSA83645 | M8 ELEVATOR FRAME, 3-YD. |
| LSA836451 | ELEVATOR FRAME ASSY., 3-YD. |
| LSA84374 | LH M.B. LIFT QUADRANT ASSY. |
| LSA84375 | RH M.B. LIFT QUADRANT ASSY. |
| LSA88219 | M9 FIXED SHAFT ELEV. FRAME |
| LSA882191 | M9 FRAME ASSEMBLY |
| LSA882192 | M9 ELEV FRAME, ASSEMBLED |
| LSA88219E | MNTG. BRACKET CROSS PLATE |
| LSA88219F | UPPER END CROSS BRACE |
| LSA88219X | UPPER LINER CROSSMEMBER |
| LSA88219ZC | LINER CONNECTOR |
| LSA88991 | DIRT DEFLECTOR ASSEMBLY |
| LSA89035 | ELEVATOR FLIGHT ASSEMBLY |
| LSA89036 | ELEVATOR CHAIN & FLIGHTS KIT |
| LSA89036ASSY | ELEVATOR CHAIN & FLIGHTS ASSY. |
| LSA89153 | 21T SPROCKET W/BUSHING |
| LSC80516X | BRASS PLUG NUT |
| LSC80803X | BRASS SPRING END PLUG |
| LSC80858X | BRONZE LIFT LEVER BEARING |
| LSG403157L | LH SPRING DRAG SHOE ASSY. |
| LSG403157R | RH SPRING DRAG SHOE ASSY. |
| LSG801155 | SHACKLE LEAF SPRING KIT |
| LSG801357 | STEER PUMP REPLACEMENT KIT |
| LSG801955L | LH SPRING LOADED SHOE ASSY. |
| LSG801955R | RH SPRING LOADED SHOE ASSY. |
| LSG802095 | ELEVATOR DRAPE ASSEMBLY |
| LSG802096 | ELEVATOR DRAPE ASSEMBLY |
| LSG802098 | STEEL DRAG SHOE ASSEMBLY |
| LSG810259L1 | LH SPRING SHOE ASSY., LESS SHOE |
| LSG810259R1 | RH SPRING SHOE ASSY., LESS SHOE |
| LSG811202 | M9D HOPPER KIT |
| LSH11002 | DEFLECTOR PAD |
| LSK814655 | M9D KIT, PM-10 |
| LSKM9B4STASSY | SCISSORS ASSEMBLY, 4-STAGE |
| LSKM9B4TO5KIT | SCISSORS CONV. KIT, 4-5 STAGE |
| LSKM9B5STASSY | SCISSORS ASSEMBLY, 5-STAGE |
| LSM2000352 | REAR BAFFLE |
| LSM2001279 | CURTAIN |
| LSM402748 | CENTER DEFLECTOR PAD |
| LSM403837 | CONVEYOR BELT SEAL |
| LSM800942 | HOSE |
| LSM801562 | RUBBER CANVAS FLAP |
| LSM804025 | SEAL TRIM, 16.66-FT. |
| LSM83741 | PAD |
| LSM84850 | BRIDGE STRIP |
| LSM87568 | VENT HOSE |
| LSM87584 | REAR WINDOW SEAL |
| LSM87585 | BUMPER |
| LSM88955 | RUBBER SEAL |
| LSM88958 | HOPPER SEAL |
| LSP1004217A | RUBBER DIVIDER |

MOBIL

| | |
|-------------|---------------------------------|
| LSP1004218A | RUBBER DIVIDER |
| LSP1004219 | RUBBER LINER |
| LSP2000140 | IMPELLER, RL 730 |
| LSP2000817 | DUMP CYLINDER SEAL KIT |
| LSP2001011 | PARK BRAKE ASSEMBLY |
| LSP2001013 | FRONT RIM, 8 MOUNTING HOLES |
| LSP2001337 | FRONT DRAPE |
| LSP2001491 | RH TORQUE PLATE |
| LSP2001500 | BRAKE PAD SET |
| LSP2001734 | HOSE, 14" DIA. X 26" W/3" CUFFS |
| LSP2001735 | BLAST AIR HOSE, 14" X 28" |
| LSP200512 | PRESSURE SWITCH |
| LSP35874A | STARTER RELAY |
| LSP400091 | CONNECTOR LINK |
| LSP400124C | SPRAY WATER PUMP |
| LSP400304 | RESERVOIR CAP |
| LSP400305A | RESERVOIR |
| LSP400424 | SEAL KIT |
| LSP400457 | DRAG SHOE SEAL |
| LSP400636 | SEAL KIT |
| LSP400678 | SOLENOID VALVE |
| LSP400690 | ISOLATOR |
| LSP400943 | SEAL |
| LSP401795 | VALVE |
| LSP401906 | CYLINDER |
| LSP401907A | AIR CYLINDER |
| LSP401978 | CABLE |
| LSP402242 | SEAL KIT |
| LSP402363 | ADAPTER |
| LSP403004 | SOLENOID ASSEMBLY, 12VDC |
| LSP403152 | RH BLACK POLY DUST SHIELD |
| LSP403153 | LH BLACK POLY DUST SHIELD |
| LSP403177 | BUSHING |
| LSP403179 | BUSHING |
| LSP403436 | MOTOR |
| LSP403441 | RH WHEEL MOTOR ASSEMBLY |
| LSP403442 | LH WHEEL MOTOR ASSEMBLY |
| LSP403602 | CHARGE FILTER ELEMENT |
| LSP403899 | ELEVATOR BEARING |
| LSP403941 | HYDRAULIC MOTOR |
| LSP41526 | ROD END BALL BUSHING |
| LSP45631B | FLUID LEVEL INDICATOR W/THERM. |
| LSP70980 | SWITCH |
| LSP71633 | OIL PSI SENDING UNIT |
| LSP800077 | STEERING PUMP |
| LSP800116 | FLAT SOCKET CAP SCREW W/NYLOK |
| LSP800175A | SPROCKET |
| LSP800192 | SWITCH |
| LSP800321 | COOLER |
| LSP800422 | SPRING |
| LSP800423 | SPRING |
| LSP800424 | PARKING BRAKE SHOE SET (2) |
| LSP800427 | PARKING BRAKE DRUM |
| LSP800431 | PARK BRAKE SHIELD |
| LSP800523A | FLOOD LAMP |
| LSP800531 | RELAY ASSEMBLY |
| LSP80065 | DRAG LINK |

MOBIL

| | |
|----------------|--|
| LSP800772 | HYDRAULIC MOTOR SEAL KIT |
| LSP80084 | COLLAR W/SET SCREW |
| LSP80094 | SHACKLE KIT |
| LSP80095B | FRONT SPRING PIN |
| LSP801079 | QUADRANT BUSHING |
| LSP801092 | FRONT SPRING SHACKLE |
| LSP801136 | ELEVATOR CHAIN SIDE BAR, PLAIN |
| LSP801137 | LINK PIN W/SPLIT COTTER |
| LSP801138 | COTTER SIDE ATTACH. BAR |
| LSP801141 | OFFSET HALF LINK (NO PINS/COT) |
| LSP801198 | SOLENOID |
| LSP801247 | BANJO BOLT |
| LSP801248 | GASKET WASHER |
| LSP801249 | BRAKELINE HOSE |
| LSP801257 | RD. PIN ANCHOR SHACKLE |
| LSP801310 | BRAKE PAD KIT (4 BRAKE PADS) |
| LSP801311 | CALIPER ASSEMBLY |
| LSP801312 | FRONT CALIPER REPAIR KIT |
| LSP801318 | SPRING ASSEMBLY |
| LSP801319 | RH & LH RETAINER SET |
| LSP801320 | BOLT |
| LSP801324 | CALIPER ASSEMBLY W/O LINING |
| LSP801325 | CALIPER REPAIR KIT |
| LSP801329 | FRONT BRAKE ROTOR |
| LSP801330 | REAR ROTOR |
| LSP801337 | BRAKE MASTER CYLINDER |
| LSP801338 | BRAKE HYDRO BOOSTER |
| LSP801342 | FRONT DISC WHEEL SEAL |
| LSP801537A | SCISSORS LINK BUSHING |
| LSP801539 | GAS DOOR SHOCK |
| LSP801540 | BALL STUD |
| LSP801541 | SAFETY CLIP |
| LSP80156 | HYD. STEERING PUMP W/FITTINGS |
| LSP801626 | EXTENSION SPRING |
| LSP801748 | WATER Y-STRAINER, 2" |
| LSP80176A | WATER PUMP |
| LSP801882 | PAD KEEPER SPRING |
| LSP80196 | CHAIN |
| LSP80209 | SPROCKET |
| LSP80210 | SPROCKET W/BUSHING, 30T |
| LSP80211 | SPROCKET, 21 TOOTH |
| LSP802112 | LINING RETAINER SPRING |
| LSP80222 | REAR BROOM FLOAT SHOCK ABSORBER |
| LSP80226 | ELEVATOR CHAIN, 4-YD. |
| LSP80226A | M8 ELEVATOR CHAIN W/FLIGHT ASSEMBLY, 4-YD. |
| LSP80226ASSY | M8 ELEVATOR CHAIN W/FLIGHT ASSEMBLY, 4-YD. |
| LSP80226P | M8 ELEVATOR CHAIN, 4-YD., 9-FLT., 74 PITCH |
| LSP80227 | ELEVATOR CHAIN, 3-YD., 8-FLT. |
| LSP80228A | HYDRAULIC MOTOR |
| LSP80227P | CONV. CHAIN, 8-FLT., 63 PITCH |
| LSP802425B | ELEV. CHAIN, 11 TOOTH, 12-FLT. |
| LSP802425BASSY | ELEV. CHAIN W/FLIGHT ASSY. |
| LSP802473 | CENTER SWEEP MANDREL, 58" |
| LSP802539 | RUBBER SPROCKET, 11 TOOTH |

LACAL HAS MANY MORE ITEMS AVAILABLE – JUST ASK!



LSP80791U
Small Poly Idler Wheel

LSP801141
Offset Half Link
(No Pins/Cotters)

TOP SELLER

LSA89035
Elevator Flight Assembly

LSA89153
21T Sprocket
with Bushing

LSP80790U
Urethane Sprocket,
10-Tooth

MOBIL

| | |
|------------|-----------------------------------|
| LSP802539U | URETHANE SPROCKET, 11 TOOTH |
| LSP802540 | RUBBER IDLER WHEEL, 11 TOOTH |
| LSP802540U | LARGE URETHANE IDLER WHEEL |
| LSP802588 | SQUEEGEE |
| LSP802588A | SQUEEGEE, 13 HOLE |
| LSP802659 | BOLT SLEEVE |
| LSP802660 | PLASTIC SPROCKET BUSHING |
| LSP802725 | ELEVATOR MOTOR SPROCKET, 12T |
| LSP802726A | ELEV. DRIVE SPROCKET, 36T, 42RPM |
| LSP802727 | CHAIN |
| LSP802739A | ADJ. CYLINDER |
| LSP802881 | TAIL LIGHT KIT |
| LSP802887 | PARK BRAKE CYLINDER |
| LSP80290 | ZINC-PLATED STEEL HINGE |
| LSP802908 | SEAL CLAMP |
| LSP802916A | AIR CYLINDER |
| LSP802917A | AIR REGULATOR |
| LSP802924A | WHEEL ASSY, 22.5 X 9.00 (10 HOLE) |
| LSP802926A | CENTER MUFFLER PIPE |
| LSP802934 | CAB DOOR HINGE |
| LSP803067 | TRANS. SHIFTER CABLE |
| LSP803137 | FLANGE YOKE |
| LSP803146 | CROSS & BEARING ASSEMBLY |
| LSP803232 | GATE CYLINDER |
| LSP803429 | INSULATOR VIBRO |
| LSP803472A | LH SIDE COVER, 1.5" WIDE LIP |
| LSP803473B | RH SIDE COVER, 1.5" WIDE LIP |
| LSP803509 | BEARING |
| LSP80385 | LINK-BELT ELEVATOR BEARING |
| LSP80385P | ELEVATOR BEARING |
| LSP803884 | SEAL KIT |
| LSP803909 | CROSS & BEARING ASSEMBLY |
| LSP803955 | CHECK VALVE |
| LSP803964 | FAN ASSEMBLY |
| LSP803979 | BLOWER WHEEL |
| LSP803980 | MOTOR PLATE |
| LSP803982A | FAN MOTOR, 12V |
| LSP803986 | FRESH AIR FILTER |
| LSP804009 | HEAT CABLE, 40" |
| LSP804021 | LH DOOR LATCH ASSEMBLY |
| LSP804022 | RH DOOR LATCH ASSEMBLY |
| LSP804038 | SWITCH TEMPERATURE SENDER |
| LSP80409A | RUBBER SQUEEGEE |
| LSP804126 | ROCKER SWITCH |

MOBIL

| | |
|------------|-------------------------------------|
| LSP80425 | RUBBER LIP |
| LSP804307 | AXLE SHAFT WASHER |
| LSP80436 | CHAIN |
| LSP804367 | RH SUPPORT |
| LSP804368 | LH SUPPORT |
| LSP804371 | BOOT (BRAKE GROUP) |
| LSP804378 | ROTOR |
| LSP804423 | ROCKER SWITCH |
| LSP804577 | LATCH MECHANISM |
| LSP804579 | OUTSIDE PADDLE HANDLE |
| LSP804581 | LATCH MECHANISM |
| LSP804582 | INSIDE RELEASE LEVER |
| LSP804583 | OUTSIDE PADDLE HANDLE |
| LSP804584 | LH ROD END CLIP |
| LSP804615 | SEAL KIT |
| LSP804640 | LH POLY HINGE |
| LSP804641 | RH POLY HINGE |
| LSP804660 | REAR COMPARTMENT TOP COVER |
| LSP804672 | LH REAR DOOR |
| LSP804673 | RH REAR DOOR |
| LSP804675A | M8A REAR COMPARTMENT |
| LSP804682 | SEAL KIT |
| LSP804751 | BLUE LENS INSERT |
| LSP804796 | LIFT CYLINDER SEAL KIT |
| LSP804906A | LH SIDE COVER |
| LSP804907A | RH SIDE COVER, ABD |
| LSP804988 | ELEVATOR CHAIN, 11-FLT., 71P |
| LSP805068 | LINING KIT (2-PC.: 1 THICK, 1 THIN) |
| LSP805069 | MOUNT PIN |
| LSP80511 | DURALON BEARING |
| LSP80511B | OIL EMBEDDED BRONZE BEARING |
| LSP80515 | GUTTER BROOM TENSION SPRING |
| LSP80518A | DROP FORGED SHACKLE |
| LSP805319 | BLACK POLY BROOM COVER |
| LSP805320 | WHITE POLY BROOM COVER |
| LSP80533 | THRUST WASHER |
| LSP805339 | PARKING BRAKE CABLE |
| LSP80535 | ZINC-PLATED COLLAR W/SET SCREW |
| LSP80535A | COLLAR W/NO SET SCREW |
| LSP80556B | HYDRAULIC PUMP W/2 FITTINGS |
| LSP80578A | ALUM. GUTTER BROOM BLOCK |
| LSP805880 | M8A REAR COMPARTMENT ASSY. |
| LSP805937 | GREASE BUTTON FITTING |
| LSP80613 | RUBBER RESTRAINT HOOK |

MOBIL

| | |
|------------|----------------------------------|
| LSP806213A | ELEVATOR MOTOR, 4-BOLT |
| LSP806264 | GASKET |
| LSP806265A | ELEVATOR SPROCKET, 27T |
| LSP806267 | CHAIN |
| LSP806440A | LH SIDE COVER |
| LSP80656 | END PLATE (2 HALVES) |
| LSP806686 | PARK BRAKE SWITCH |
| LSP806723 | SINGLE SOLENOID VALVE |
| LSP806728 | DOUBLE SOLENOID VALVE |
| LSP806758 | LOW COOLANT PROBE |
| LSP806770 | WHITE POLY END PANEL |
| LSP806771 | BLACK POLY BROOM COVER END PANEL |
| LSP806795 | REAR COMPARTMENT W/COVERS |
| LSP806830C | IDLER PULLEY |
| LSP806847 | 12 TOOTH SPROCKET, 1-1/4" TAPER |
| LSP806913 | BREAKER PANEL |
| LSP806953 | REAR COMPART. CROSSMEMBER |
| LSP807013 | WATER TEMP SENDER |
| LSP807021A | WATER TEMP GAUGE |
| LSP807075 | CHAIN COVER |
| LSP807081 | SHIFT CABLE |
| LSP807082 | QUICK DISCONNECT BALL JOINT |
| LSP807085 | COUPLER |
| LSP807089 | FLOW CONTROL CARTRIDGE |
| LSP80714 | DEFLECTOR RUBBER |
| LSP80716 | PULLEY |
| LSP80721 | EYEBOLT, 3/8" WITH HEX NUT |
| LSP807268 | ROCKER-LOCK SWITCH |
| LSP807549 | CHAIN |
| LSP807608 | WIPER MOTOR |
| LSP807621A | HYDRAULIC OIL FILTER |
| LSP80770 | BRAKE HOSE ASSEMBLY |
| LSP80772 | BRAKE CYLINDER |
| LSP80790 | RUBBER SPROCKET, 10-TOOTH |
| LSP80790U | URETHANE SPROCKET, 10-TOOTH |
| LSP80791 | RUBBER IDLER WHEEL, 10-TOOTH |
| LSP80791U | POLY IDLER WHEEL, SMALL |
| LSP80804 | REAR BROOM SPRING |
| LSP80831 | CAST BRONZE BEARING |
| LSP80865 | LH BROOM COVER END PLATE |
| LSP80866 | RH BROOM COVER END PLATE |
| LSP808758 | CHAIN |
| LSP80878 | MAIN BROOM CHAIN COVER |

BEFORE BUYING ELSEWHERE, GET AN ABSOLUTELY FREE QUOTE FROM LACAL!

CONTACT US TODAY VIA PHONE 800.543.6161 or EMAIL SALES@LACAL.COM

ALL PARTS ARE GUARANTEED TO MEET WITH YOUR APPROVAL. Local Equipment, Inc. offers after-market parts for road and highway maintenance equipment. All original equipment manufacturer's names, drawings, colors and part numbers are used for identification purposes only. Local is in no way implying that any of our products are original equipment parts.

ALL PARTS ARE GUARANTEED TO MEET WITH YOUR APPROVAL. Local Equipment, Inc. offers after-market parts for road and highway maintenance equipment. All original equipment manufacturer's names, drawings, colors and part numbers are used for identification purposes only. Local is in no way implying that any of our products are original equipment parts.

THESE ARE JUST SOME OF OUR MOST REQUESTED PRODUCTS...

| MOBIL | | MOBIL | | MOBIL | |
|------------|--|------------|--|------------|--------------------------------|
| LSP808824 | FIBER GUARD | LSP82882 | AUX. ENGINE LOWER ISOLATOR | LSS801906 | MOTOR COVER |
| LSP808879A | RH SIDE COVER, AHL | LSP82973 | MUFFLER CLAMP | LSS801910 | DRIVE HUB |
| LSP808955 | RUBBER SQUEEGEE, 15 HOLE | LSP83263 | MAIN BROOM WAFER CORE W/ FIBER GUARDS, 10" | LSS802586A | FLIGHT ANGLE, 13 HOLE |
| LSP809020 | BRAKE SOLENOID VALVE | | | LSS802587A | FLIGHT ANGLE, 13 HOLE |
| LSP809021 | LIFT SOLENOID VALVE | LSP83288A | REAR BROOM DRIVE SPROCKET | LSS802590 | ELEVATOR SPROCKET PLATE |
| LSP809153 | PIN ONLY | LSP83403B | RH COVER | LSS802593 | ELEVATOR SPROCKET PLATE |
| LSP809234 | RH RETAINER | LSP83404B | M8 LH SIDE COVER | LSS802735 | ELEVATOR BEARING DUST COVER |
| LSP809235 | LH RETAINER | LSP83468 | STRIP | LSS80301 | RH TRACK |
| LSP809350 | FLIGHT ATTACHMENT LINK | LSP83579 | RETURN FILTER ELEMENT | LSS803056 | CAM ARM |
| LSP80942 | PIN | LSP83717 | WIPER | LSS80309 | LH TRACK |
| LSP809494 | BALL VALVE | LSP83718 | WIPER | LSS803104 | VALVE MOUNTING ANGLE |
| LSP809841 | SINGLE LOCK VALVE | LSP84163 | WHEEL DRIVE CHAIN | LSS80350 | RH M8 FRAME END PANEL |
| LSP809962 | LIFT & TURN LATCH | LSP84901A | HYDRAULIC MOTOR W/FITTINGS | LSS80350HD | HD ELEVATOR REPAIR PANELS |
| LSP809963 | LIFT & TURN LATCH | LSP84934 | BRASS SPRAY NOZZLE | LSS80351 | LH M8 FRAME END PANEL |
| LSP810026 | PRESSURE SWITCH | LSP85291 | RELAY | LSS80351HD | HD ELEVATOR REPAIR PANELS |
| LSP810160 | TRANSMISSION SHIFTER | LSP85607 | TANDEM PUMP DRIVE | LSS80376 | LOWER LINER |
| LSP81018 | WIPER ARM | LSP85905 | SHUT-OFF VALVE, 3/8 NPT,M X F | LSS80377 | UPPER LINER |
| LSP810232 | RADIATOR HOSE | LSP85918 | RELAY | LSS803889 | CHAIN |
| LSP810250 | RIBBED BELT AIR COND. | LSP87126 | DAMPENER | LSS803890 | CHAIN |
| LSP810262 | RADIATOR HOSE | LSP87499 | BUSHING, 3/4" X 1" X 2-1/4" | LSS80391 | BOLT SLEEVE |
| LSP810298 | BRONZE SLEEVE BUSHING | LSP88033A | SCISSORS BUSHING, 2" LONG | LSS80392 | FLANGE |
| LSP810310 | FUEL SENDER | LSP88236 | 12-FLT. ELEVATOR CHAIN, 76 PITCH | LSS80404 | DRAPE ROD |
| LSP810313 | M9D REAR COMPARTMENT | LSP882364 | CHAIN | LSS80419 | RH RETAINER PLATE, 9/16" HOLES |
| LSP810330 | BRONZE BEARING | LSP88236H | ELEVATOR CHAIN | LSS80420 | LH RETAINER PLATE, 9/16" HOLES |
| LSP81048A | THROTTLE CABLE | LSP88564A | HYDRAULIC PUMP | LSS80422 | CABLE |
| LSP810801 | DR RUNNER W/4 HOLE PLATE, 39" | LSP88594A | CYLINDER W/CLEVIS | LSS80444 | REAR FENDER SUPPORT |
| LSP81082 | THROTTLE CABLE ASSEMBLY | LSP88801 | LH SIDE COVER, 6" WIDE LIP | LSS80448 | LOWER LINER |
| LSP810856C | FLOW REGULATOR | LSP88802 | RH SIDE COVER, 6" WIDE LIP | LSS805179 | BLEEDER SCREW |
| LSP81099 | HANDLE | LSP88901A | CYLINDER | LSS80519 | SPACER |
| LSP811036 | COOLANT LEVEL SENSOR | LSP88902A | REAR BROOM CYLINDER | LSS80520 | SPACER TUBE |
| LSP811130 | CHAIN | LSP88903B | HOPPER LIFT CYLINDER | LSS80523 | SPACER |
| LSP811435 | BRAKE CYLINDER | LSP88904D | HOPPER SLAVE CYLINDER | LSS80524 | SPACER |
| LSP811738 | HI-PER. REAR BRAKE PAD KIT (4) | LSP88905 | ELEVATOR TILT CYLINDER | LSS80529 | PIN |
| LSP811808 | CAB DOOR HINGE | LSP88906A | CYLINDER | LSS80530 | PIVOT PIN |
| LSP811915 | HYDRAULIC MOTOR | LSP89051 | CHAIN | LSS80534 | SET COLLAR |
| LSP812086 | EXHAUST PIPE | LSP89256 | SEAL KIT | LSS80534A | COLLAR W/O SET SCREW |
| LSP812279 | BELT SERPENTINE | LSP89294 | CONTROL HOUSING GASKET | LSS80554 | LIFT LEVER GUARD |
| LSP812298 | LH REAR COMPARTMENT DOOR | LSP89364 | CYLINDER SEAL KIT | LSS806245 | MOTOR MOUNT |
| LSP812299 | RH REAR COMPARTMENT DOOR | LSP89708 | CYLINDER SEAL KIT | LSS806622 | EXHAUST FLEX TUBE |
| LSP812942 | RH SIDE DOOR COVER | LSP89866 | LIFT HYDRAULICS LIMIT VALVE | LSS80671 | CHAIN, 3/16" X 55 LINKS |
| LSP812943 | LH SIDE DOOR | LSP89993 | BLEEDER & GASKET | LSS806796 | SIDE BAR |
| LSP81319 | BROOM ARBOR W/O FIBER GUARDS | LSP89994 | SEAL KIT | LSS806797 | MOUNTING FOOT |
| LSP81319B | BROOM ARBOR W/FIBER GUARDS | LSQS739 | SHAFT | LSS806798 | BRACE |
| LSP81319C | WEIGHTED ARBOR W/COM. RUBBER & BOLTS, W/O FIBER GUARDS | LSS990 | UPPER ELEVATOR SHAFT | LSS806799 | CROSSBRACE |
| LSP81320 | POLYTUBE BROOM | LSS402379 | PIN | LSS807074 | LIFT CHAIN |
| LSP813734 | RADIATOR BOTTLE OVERFLOW | LSS402453 | PLATE | LSS80718 | CHAIN, 11 LINKS |
| LSP81554 | FIBER GUARD | LSS402454 | DRAG SHOE | LSS80734 | PIN |
| LSP81609 | WATER PUMP REPAIR KIT | LSS402560 | TAPPED BLOCK | LSS807980 | FLANGE BEARING, 4-BOLT |
| LSP81808 | SPACER | LSS402726 | SLEEVE | LSS807982 | HD UPPER LINER |
| LSP81912 | AIR DUCT | LSS402747 | ANGLE | LSS807983 | HD LOWER LINER |
| LSP82239 | RUBBER DRAG SHOE | LSS403154 | LIFT CHAIN | LSS80806 | BROOM FLOAT CHAIN |
| LSP82309 | ROLLER LINK | LSS800279 | WATER LEVEL TAPPED PLATE | LSS80818 | MAIN BROOM SPACER |
| LSP82463 | LH TIE ROD END | LSS800304 | PIVOT PLATE | LSS808203 | BEARING SPACER |
| LSP82464 | RH TIE ROD END | LSS800525 | REAR BROOM LIGHT STAND OFF | LSS80860 | BROOM LIFT SHAFT |
| LSP82484 | RH WHEEL NUT | LSS801095 | LEAF SPRING BUSHING | LSS80873 | BROOM COVER STIFFENER BAR |
| LSP82485 | LH HUB & DRUM STUD | LSS801220A | GATE STOP | LSS808956 | FLIGHT |
| LSP82507 | STEERING REPAIR KIT | LSS801718 | COVER CLAMP | LSS808957 | BACK BAR |
| | | LSS801901 | PLATE | LSS809109 | MAIN BROOM ARM PIN |

BEFORE BUYING ELSEWHERE, GET AN ABSOLUTELY FREE QUOTE FROM LACAL!

ALL PARTS ARE GUARANTEED TO MEET WITH YOUR APPROVAL. Lcal Equipment, Inc. offers after-market parts for road and highway maintenance equipment. All original equipment manufacturer's names, drawings, colors and part numbers are used for identification purposes only. Lcal is in no way implying that any of our products are original equipment parts.

LACAL HAS MANY MORE ITEMS AVAILABLE – JUST ASK!

| MOBIL | | MOBIL | | MOBIL | |
|-----------|--------------------------------|-----------|-------------------------------|--------------|--|
| LSS809227 | ELEVATOR CHAIN TOOL | LSS88214 | SPACER | LSW403148 | LH DRAG SHOE |
| LSS809822 | KEEPER | LSS88261 | UPPER LINER | LSW403149 | RH DRAG SHOE |
| LSS810414 | OVERFLOW BOTTLE BRACKET | LSS88262 | LOWER LINER PLATE | LSW403156 | LIFT LEVER |
| LSS810705 | SPACER | LSS88301 | PIVOT PIN | LSW403791 | LH LOWER ROLLER SUPPORT |
| LSS810733 | CAST BRONZE BUSHING | LSS88308 | CHAIN | LSW403792 | RH LOWER ROLLER SUPPORT |
| LSS810735 | BROOM STRUT PIVOT PIN | LSS88597 | WIRE ROPE | LSW403823 | CONVEYOR ROLLER UPPER |
| LSS810949 | DRAG SHOE TOW CHAIN | LSS88779 | DUMP CYLINDER PIN | LSW403826 | CONVEYOR ROLLER LOWER |
| LSS811115 | RETAINER PLATE | LSS88813 | M9 FRONT PUMP COVER | LSW800315 | LH MOTOR SUPPORT BRACKET |
| LSS811116 | RETAINER PLATE | LSS88953 | HOPPER GATE PIN | LSW800316 | RH MOTOR SUPPORT BRACKET |
| LSS811126 | RETAINER PLATE SHIM | LSS88957 | ELEVATOR SEAL CLAMP | LSW800513 | RH LIFT LEVER |
| LSS811518 | HANGER PIN | LSS88959 | SEAL STRIP | LSW800676 | MAIN BROOM STUB SHAFT, 4-BOLT ROUND FLANGE |
| LSS811519 | PLATE | LSS89031A | LOWER LINK SCISSORS PIN | LSW800676SP | MAIN BROOM STUB SHAFT, 3-BOLT |
| LSS812106 | IDLER PULLEY BUSHING | LSS89034 | FLIGHT RETAINER ANGLE | LSW800686 | M9 DIRT HOPPER |
| LSS812458 | REAR BROOM LIFT SHAFT | LSS89046 | ELEVATOR COVER, STD. | LSW800714 | M9 LOWER HOPPER GATE |
| LSS812995 | LIFT BRACKET | LSS89146 | COVER BRACKET HINGE | LSW800714KIT | M9 HOPPER GATE COMPONENT KIT |
| LSS81321 | REAR BROOM SHAFT SPACER | LSS89418 | ELEVATOR LINK, SWEEP POSITION | LSW800718 | UPPER HOPPER GATE |
| LSS81322 | REAR BROOM SHAFT SPACER | LSS89441 | HOPPER GATE LINK | LSW800823 | WATER TANK COVER |
| LSS81325 | REAR BROOM SHAFT SPACER | LSS89602 | ROLLER W/BRONZE BEARING | LSW800826A | M9 WATER TANK, STEEL |
| LSS813425 | RETAINING WASHER | LSS89602A | ROLLER W/O BEARING | LSW800838A | M8 WATER TANK, 4-YD. |
| LSS81346 | SPROCKET, 18 TEETH, 1-1/2 BORE | LSS89603 | OILITE BRONZE BUSHING | LSW801017 | M9 LH LOWER ELEVATOR PLATE |
| LSS814192 | MAIN BROOM LIFT ARM | LSS89611 | LOWER ROLLER SHAFT | LSW801018 | M9 RH LOWER ELEVATOR PLATE |
| LSS81514 | SPRAY NOZZLE | LSS89655 | DOOR LATCH | LSW801108 | COVER, ELEVATOR, FLUSHER |
| LSS81671 | SHAFT | LSS89770 | SPACER | LSW801563 | ELEVATOR FLAP SUPPORT |
| LSS82635 | ELEVATOR SPROCKET PLATE | | | LSW801583 | LOWER LIFT CYLINDER HANGER |
| LSS82876 | SPACER | | | LSW801588 | HANGER "C" |
| LSS82949 | WASHER | | | LSW801590 | HANGER "D" |
| LSS83189 | CLAMP CENTER DEFLECTOR | | | LSW801596 | CYLINDER HANGER WELD. PIN |
| LSS83308 | GUTTER BROOM PLATE, 7-SEG. | | | LSW801609 | LOWER LIFT CYLINDER HANGER |
| LSS83358 | REAR BROOM SHAFT SPACER | | | LSW801611 | UPPER LIFT CYLINDER HANGER |
| LSS83416 | REAR BROOM SHAFT SPACER | | | LSW801896 | LH BROOM STRUT |
| LSS83443 | PIN | | | LSW801897 | RH BROOM STRUT |
| LSS83467 | SPACER | | | LSW801899 | MOTOR BRACKET |
| LSS83712 | GATE TRACK SHOE | | | LSW80190A | RH END SPRAY PIPE |
| LSS83742 | SHIM | | | LSW801912 | UPPER ELEVATOR SHAFT |
| LSS83744 | SHIM | | | LSW801940 | DBL. ROW CARB RUNNER SET |
| LSS83749 | RH SEAL BAR | | | LSW801943 | RH LOWER ELEV. PANEL, M9 SPRING |
| LSS83750 | LH SEAL BAR | | | LSW801944 | LH LOWER ELEV. PANEL, M9 SPRING |
| LSS83816 | AIR TUBE | | | LSW80199 | SPRAY BAR |
| LSS83824 | CABLE | | | LSW802447 | UPPER GUTTER BROOM LIFT LINK |
| LSS84269 | T-PLATE RETAINER | | | LSW802448 | UPPER LIFT LINK |
| LSS84399 | HOPPER GATE HINGE | | | LSW802516 | INSIDE ADJ SCREW |
| LSS84750 | DEFLECTOR PLATE | | | LSW802518 | OUTSIDE ADJ SCREW |
| LSS84755 | SPACER | | | LSW802967 | PIVOT BRACKET |
| LSS84756 | WASHER PLATE | | | LSW802991 | TOPGUN DRAPE BAR W/GUSSETS |
| LSS84792 | SHIM | | | LSW803002 | LH BEARING SLIDE PLATE |
| LSS84998 | COVER | | | LSW803116 | SCISSORS REAR CROSSMEMBER |
| LSS85320 | RH HOPPER GATE TRACK ANGLE | | | LSW803118 | FRONT CROSSMEMBER, 4-STAGE |
| LSS85321 | LH HOPPER GATE TRACK ANGLE | | | LSW803119 | FRONT CROSSMEMBER, SCISSORS |
| LSS85485 | REAR BROOM SHAFT SPACER | | | LSW803136 | LOWER HOPPER GATE |
| LSS85486 | REAR BROOM SHAFT SPACER | | | LSW803193 | LH FRONT BUMPER |
| LSS85643 | WATER PUMP DRIVE PULLEY | | | LSW803194 | RH FRONT BUMPER |
| LSS85845 | VALVE HANDLE | | | LSW803305 | UPPER ELEVATOR SHAFT |
| LSS85901 | ELEVATOR SHIM, 1/4 | | | LSW803311 | LOWER ELEVATOR SHAFT |
| LSS85902 | ELEVATOR SHIM, 3/16 | | | LSW803325 | RH BUMPER TIE |
| LSS85903 | ELEVATOR SHIM, 11 GA | | | LSW803406 | RH REAR FENDER |
| LSS86138 | GUTTER BROOM TILT PIVOT BLOCK | | | LSW803501 | RH SLIDE PLATE |
| LSS87469 | BROOM LIFT CHAIN | | | LSW803521 | LH LIGHTFOOT FRAME END PANEL |
| LSS87586 | WASHER STRIP | | | | |

WAIT... I DON'T SEE THE PART I NEED!
 Call 800.543.6161 to access our entire inventory of parts.
 This catalog is only a portion of the quality replacement parts that Lcal Equipment offers!

CONTACT US TODAY VIA PHONE 800.543.6161 or EMAIL SALES@LACAL.COM

ALL PARTS ARE GUARANTEED TO MEET WITH YOUR APPROVAL. Lcal Equipment, Inc. offers after-market parts for road and highway maintenance equipment. All original equipment manufacturer's names, drawings, colors and part numbers are used for identification purposes only. Lcal is in no way implying that any of our products are original equipment parts.

THESE ARE JUST SOME OF OUR MOST REQUESTED PRODUCTS...

MOBIL

| | |
|--------------|--------------------------------------|
| LSW803522 | RH M9A ELEV. LOWER PANEL, 5-YD. |
| LSW80368 | M8 DRAPE BAR W/GUSSET |
| LSW80373 | SPRAY BAR |
| LSW80380 | RH ADJUSTER PLATE |
| LSW80381 | LH ADJUSTER PLATE |
| LSW80387 | LOWER ELEV. SHAFT |
| LSW80387ASSY | LOWER ELEVATOR SHAFT ASSY. |
| LSW80406 | FLIGHT ANGLE |
| LSW80412 | RH DIRT SHOE PLATE |
| LSW80413 | LH DIRT SHOE PLATE |
| LSW804394 | LOWER ELEVATOR PANEL, RH SPRING SHOE |
| LSW804395 | M8A STD. ELEV. FRAME, 4-YD. |
| LSW804396 | LH M8A FRAME END PLATE, 4-YD. |
| LSW804397 | RH M8A FRAME END PLATE, 4-YD. |
| LSW804401 | M8A ELEV FRAME, SPRING, 4-YD. |
| LSW80446 | RH REAR FENDER |
| LSW80449 | LH REAR FENDER |
| LSW804595 | LH GUTTER BROOM STEP |
| LSW804596 | RH GUTTER BROOM STEP |
| LSW80470 | LH UPPER LIFT LINK |
| LSW80471 | RH UPPER LIFT LINK |
| LSW80480 | LH LOWER LIFT LEVER |
| LSW80481 | RH GUTTER BROOM LIFT LINK |
| LSW804998 | LH BRAKE DUST SHIELD |
| LSW804999 | RH BRAKE DUST SHIELD |
| LSW80505 | LH PIVOT BRACKET |
| LSW805056 | ELEVATOR LIFT LINK |
| LSW80517A | ADJUSTING SCREW |
| LSW80568 | RH PIVOT BRACKET |
| LSW806066 | BULKHEAD |
| LSW806433 | REAR BROOM COVER POCKET |
| LSW806561 | BASE PLATE |
| LSW806801 | LIMB GUARD |
| LSW807064 | LH MAIN BROOM STRUT |
| LSW807065 | RH BROOM STRUT |
| LSW80710A | DEFLECTOR PLATE WELDMENT |
| LSW807125 | WATER TANK ENCLOSURE |
| LSW807240 | RH REAR FENDER (X-WIDE) |
| LSW807540 | OVER CENTER BRACKET |
| LSW807577 | BRUSH DIRT DEFLECTOR |
| LSW807579 | PLATE BRUSH DEFLECTOR |
| LSW807610 | PARKING BRAKE MOUNT |
| LSW807762 | REAR SPRAY BAR |
| LSW807771 | M9B HOPPER GATE, 1-PC. STYLE |
| LSW807896 | ELEVATOR CROSSBRACE |
| LSW80815 | BROOM SHAFT END SPACER |
| LSW808174 | LOWER ELEVATOR SHAFT |
| LSW808176 | UPPER ELEVATOR SHAFT |
| LSW80820B | M8 RH BROOM STRUT |
| LSW80867 | STEEL BROOM COVER |
| LSW808930 | LH FENDER WELD. W/GRIP TREAD |
| LSW808931 | RH FENDER WELD. W/GRIP TREAD |
| LSW809048 | LH DIRT SHOE PLATE, H.S. |
| LSW809049 | RH DIRT SHOE PLATE, H.S. |
| LSW80917 | LOCK PIN |
| LSW80917B | CHAIN |
| LSW809995 | DIRT HOPPER, 1-PC. GATE TYPE |

MOBIL

| | |
|-------------|---------------------------------|
| LSW810260 | LH DRAG SHOE TOP |
| LSW810261 | RH DRAG SHOE TOP |
| LSW810924 | LH MAIN BROOM STRUT |
| LSW810925 | RH MAIN BROOM STRUT |
| LSW810930 | LH DIRT SHOE PLATE |
| LSW810930HD | HD LH DIRT SHOE PLATE |
| LSW810931 | RH DIRT SHOE PLATE |
| LSW810931HD | HD RH DIRT SHOE PLATE |
| LSW810939 | LH LOWER ELEVATOR PANEL |
| LSW810940 | RH LOWER ELEVATOR PANEL |
| LSW811198 | M9D DIRT HOPPER, NO WINDOWS |
| LSW811199 | M9D HOPPER GATE |
| LSW811200 | INSPECTION DOOR |
| LSW81140 | DRAG SHOE |
| LSW81140HS | HARD SURFACE DRAG SHOE |
| LSW811421 | M9D DIRT HOPPER, WINDOW OPENING |
| LSW811882 | SHIFTER, 2-SPEED |
| LSW812679 | ELEVATOR COVER |
| LSW812772 | M9E LH FENDER |
| LSW812773 | M9E RH FENDER |
| LSW812994 | RH LIFT WELDMENT |
| LSW813152 | M9E DIRT HOPPER GATE |

LACAL REBUILDS STREET SWEEPERS

See pages 18-21 to discover what our Street Sweeper Rebuilding Service can do for you, then call **800.543.6161** for more info.

| | |
|-----------|----------------------------|
| LSW813232 | M9E HOPPER INSPECTION DOOR |
| LSW813529 | LH REAR TILT BRACKET |
| LSW813530 | RH REAR TILT BRACKET |
| LSW81356 | UPPER LIFT LEVER PIVOT |
| LSW82634 | UPPER ELEVATOR SHAFT |
| LSW82909A | GUTTER BROOM HUB |
| LSW83059 | END PLATE |
| LSW83445 | PILLOW BLOCK WELDMENT |
| LSW83488U | UNIVERSAL BROOM STRUT STOP |
| LSW83499 | RH LIFT LEVER |
| LSW83746 | SUPPORT BRACE |
| LSW83752 | M8 DIRT HOPPER |
| LSW84275 | H10 FIBER GUARD |
| LSW84288 | SHAFT |
| LSW84330 | DIRT SHOE PLATE |
| LSW84331 | DIRT SHOE PLATE |
| LSW84884 | PIN |
| LSW85740 | LH ENGINE SUPPORT |
| LSW85744 | RH ENGINE SUPPORT |
| LSW86134 | ADJUSTING BOLT |
| LSW86236 | RH FRONT TILT BRACKET |
| LSW86238 | RH REAR TILT BRACKET |
| LSW86254 | LH FRONT TILT BRACKET |
| LSW86957 | LEVER |

MOBIL

| | |
|-----------|---------------------------------|
| LSW87111 | LH BEARING ADJUSTER |
| LSW87112 | RH BEARING ADJUSTER |
| LSW87961 | LH ELEVATOR REPAIR PANEL |
| LSW88027 | BOTTOM LINK CONNECTOR |
| LSW88061 | TOP OUTSIDE LINK |
| LSW88086 | CENTER OUTSIDE LINK |
| LSW88254 | M9 DRAPE BAR WELD W/GUSSETS |
| LSW88668 | LH REAR FENDER |
| LSW88749 | HINGE |
| LSW88787A | M9 RH BROOM STRUT |
| LSW88788A | M9 LH BROOM STRUT |
| LSW88947 | LH REAR COMPARTMENT DOOR |
| LSW88954 | UPPER LINER PLATE |
| LSW88974 | SPRAY BAR |
| LSW88981 | REAR UPPER GATE HINGE |
| LSW88982 | FRONT UPPER GATE HINGE |
| LSW88998 | ELEVATOR COVER |
| LSW89028 | CLEVIS WELDMENT, 1" -8 THD |
| LSW89028A | CLEVIS WELDMENT, 1-1/8" -12 THD |
| LSW89591 | LH SPRAY BAR |
| LSW89592 | RH SPRAY BAR |
| LSW89638 | HOPPER INSPECTION DOOR |
| LSW89754 | BEARING SUPPORT WELDMENT |
| LSW89761 | HOPPER PIVOT PIN WELDMENT |
| LSW89843 | LOWER LIFT HANGER |
| LSW89902 | LH LIFT LEVER |
| LSW89929 | BRACKET |
| LSW89933 | ADJUSTING BOLT |

MURPHY

SEE SCHWARZE, PAGE 63

NITEHAWK

| | |
|-------------|--------------------------|
| LSBT1854 | HALF MOTOR COUPLER, 5/8" |
| LSCB1000 | CURB BROOM ARM |
| LSCT1276 | CONTROL PANEL |
| LSDP1000 | DUAL WHEEL FENDER |
| LSDR1073 | REAR DOOR KIT |
| LSDR1100 | HINGE |
| LSDR1750 | DOOR LIFT HANDLE |
| LSIP0200 | WHALE TAIL |
| LSNH6X76 | FLAP |
| LSNH6X86 | CENTER FLAP |
| LSNH7X10 | FLAP W/HOLES |
| LSNH7X102.5 | FLAP W/HOLES |
| LSNH7X12 | FLAP W/HOLES |
| LSNH7X126 | FLAP |
| LSNH7X126SP | FLAP, 1/2" |
| LSNH7X136 | REAR FLAP |
| LSNH81X9 | FLAP |
| LSNH8X62 | FLAP |
| LSNH8X62SP | FLAP, 1/2" |
| LSNH8X72 | FRONT FLAP |
| LSNH91X9 | FLAP |
| LSPU0212 | SKID PLATE |
| LSPU1006W | PICK UP HEAD WELDMENT |
| LSPU1707 | DRAG BAR |
| LSPU1750 | DRAG BAR SHIM |

LACAL HAS MANY MORE ITEMS AVAILABLE – JUST ASK!



NITEHAWK

| | |
|--------------|------------------------------|
| LSPU1872 | DRAG BAR MOUNT |
| LSPU1905 | COMPLETE FLAP SET, OSPREY II |
| LSPU1950 | FLAP HARDWARE KIT |
| LSPUH0001 | CURTAIN SET |
| LSPUH0001SP | CURTAIN SET, 1/2" |
| LSSPUH0001SP | CURTAIN SET, 1/2" |
| LSTL1001 | TOOL TRAY |
| LSUS1554 | UPSTOP |
| LSWA1200 | WATER TANK STRAP |

SCHWARZE

| | |
|----------|---|
| LB523 | A7000 POLY MAIN BROOM |
| LS100053 | FLAP KIT, PUNCHED, W/HDW. |
| LS100088 | 347 PICKUP HEAD ASSEMBLY W/ FLAP, SKIDS |
| LS100538 | CURTAIN SET, PUNCHED |
| LS100684 | LOCK LINK |
| LS100763 | DRAPE ASSEMBLY |
| LS1019 | RETRACT SPRING |
| LS1020 | BUSHING |
| LS1149 | SQUARE KEY, 5/8" X 5" |
| LS1266 | FIBER GUARD |
| LS130285 | CURTAIN SET, W/O HARDWARE |
| LS130445 | CURTAIN SET, PUNCHED W/O HDWE |
| LS200239 | S348I HOPPER ASSY COMPLETE |
| LS20096 | STUB SHAFT FAN ASSY BEARING |
| LS20110 | SIGHT LEVEL GAUGE, 5" W/ TEMP |
| LS20202 | SEAL MATERIAL, 25-FT. ROLL |
| LS20218 | PULLEY BLOCK FIXED EYE |
| LS203644 | DELUGE KIT |
| LS203729 | A4000 FAN HOUSING KIT |
| LS203738 | A4 HEAD, FLAPPED W/WATER & SKID |
| LS20238 | COUPLING, 1/4", TYPE 304 |
| LS203875 | HOPPER SCREEN CHAIN KIT |
| LS203999 | COMPLETE PICKUP HEAD ASSY |
| LS203B30 | A7000 PICKUP HEAD ASSY, ABO |
| LS203C98 | SPRAY TIP, 1/4 MPT |
| LS203D18 | HYD. MOTOR ELEVATOR DRIVE ASSY |

SCHWARZE

| | |
|-----------|---------------------------------|
| LS203D30 | RH M.B. FLOAT ASSY AIR CYLINDER |
| LS203D32 | LEAF LIFT AIR REGULATOR ASSY |
| LS203D34 | ELEVATOR SPRAYBAR ASSEMBLY |
| LS203D38 | LOWER ELEVATOR SHAFT ASSY |
| LS203D44 | ELEVATOR LOWER DRAPE ASSY |
| LS203D44A | MOUNTING BAR WELDMENT |
| LS203D44C | DRAPE RUBBER ONLY |
| LS203D47 | LH MAIN BROOM ARM ASSEMBLY |
| LS203D48 | RH MAIN BROOM ARM ASSEMBLY |
| LS203D50 | RH GUTTER BROOM ASSEMBLY |
| LS203D53 | RH G.BROOM HEAD ASSEMBLY |
| LS203D58 | LH G.BROOM HEAD ASSEMBLY |
| LS203D86 | LH ROAD SHOE ASSEMBLY |
| LS203D87 | RH ROAD SHOE ASSEMBLY |
| LS203E37 | STRAP ASSEMBLY |
| LS203E88 | G.BROOM HEAD LIFT CAM ASSY |
| LS203F36 | M6000 ELEV. FRAME W/LINERS |
| LS203F37 | M6000 COMPLETE ELEVATOR ASSY |
| LS203G15 | ELEVATOR UPPER SHAFT ASSY |
| LS203G30 | A7000 STANDARD HOPPER ASSY |
| LS203G43 | A7000 STD HOPPER INSTALL |
| LS203G49 | DROP DOWN SCREEN ASSEMBLY |
| LS203G50 | DROP DOWN SCREEN ASSY, SS |
| LS203H03 | RH GUTTER BROOM ASSEMBLY |
| LS203H04 | G.B. LOWER LINK W/BUSHINGS |
| LS203H05 | RH UPPER LINK W/BUSHINGS |
| LS203H06 | GUTTER BROOM HEAD ASSEMBLY |
| LS203H07 | LH GUTTER BROOM ASSEMBLY |
| LS203H08 | LH UPPER LINK W/BUSHINGS |
| LS203H09 | LH HEAD ASSEMBLY |
| LS203H15 | FLIGHT ASSEMBLY |
| LS203J10 | BLAST ORIFICE W/RUBBER CURTAIN |
| LS203J10W | BLAST ORIFICE WELDMENT ONLY |
| LS203L01 | A7000 POWERHOOD, ASSEMBLED |
| LS203M69 | PICKUP HEAD ASSY, ADJ. ORIFICE |
| LS203M691 | P.U. HEAD ASSY W/RUBBER ABO |
| LS203M89 | RH GEO ASSEMBLY |
| LS203M90 | LH GEO, WIDER GUTTER BROOM |

SCHWARZE

| | |
|-----------------|---------------------------------|
| LS203M92 | RH GUTTER BROOM ASSEMBLY |
| LS203M93 | LH GUTTER BROOM ASSEMBLY |
| LS203Q01 | HEAD ASSY, ADJ RUBBER ORIFICE |
| LS203Q37 | WATER PUMP KIT |
| LS203U49 | LH D/S, BREAKAWAY |
| LS203V92 | A4000 HEAD ASSEMBLY |
| LS20406 | BRASS SPRAY TIP |
| LS20407 | WATER FILTER 100-MESH STRAINER |
| LS20408 | MALE INLET, 1/4 MPT |
| LS20439 | S333 SE CURTAIN SET W/HDWE |
| LS20441 | BRASS SPRAY TIP |
| LS20452 | 7" GRAB HANDLE |
| LS20463 | DOUBLE SWIVEL PVC SPRAY TIP |
| LS20464 | SPRAY TIP RETAINER NUT, PVC |
| LS20476 | BUSHING, 2-1/4" |
| LS20478 | IMPELLER BUSHING |
| LS20492 | PILLOW BLOCK BEARING, 1-11/16" |
| LS20494 | IMPELLER SHAFT BEARING |
| LS20495 | QD BUSHING |
| LS204E78 | FLIGHT ASSEMBLY |
| LS204E79 | CONV. LOWER DRAPE ASSY, 50" |
| LS204E79HD | HD CONV. LOWER DRAPE ASSY, 50" |
| LS204P35 | A7 PICKUP HEAD |
| LS20514SCHWARZE | REGULATOR, 1/8 MODULAR DUAL |
| LS20600 | V-BELT, BANDED, COGGED, 4 BANDS |
| LS20603 | V-BELT, BANDED, COGGED, 5 BANDS |
| LS20814 | CHAIN, 1/4" (PER FOOT) |
| LS20814024 | CHAIN, 1/4" CHAIN X 20 LINKS |
| LS20815 | CHAIN, 3/16" (PER FOOT) |
| LS20815014 | CHAIN, 3/16", 14 LINKS |
| LS2081512 | CHAIN, 3/16", 12 LINKS |
| LS20816 | CHAIN, 5/16" (PER FOOT) |
| LS20816018 | CHAIN, 5/16", 10 LINKS |
| LS20851 | LOCKING COLLAR, 1.5" W/SS |
| LS20928 | CYLINDER, 1-1/2" X 6-1/2" |

DON'T MISS OUR HUGE SELECTION OF BROOMS BEGINNING ON PAGE 32.

BEFORE BUYING ELSEWHERE, GET AN ABSOLUTELY FREE QUOTE FROM LACAL!

ALL PARTS ARE GUARANTEED TO MEET WITH YOUR APPROVAL. Local Equipment, Inc. offers after-market parts for road and highway maintenance equipment. All original equipment manufacturer's names, drawings, colors and part numbers are used for identification purposes only. Local is in no way implying that any of our products are original equipment parts.

CONTACT US TODAY VIA PHONE 800.543.6161 or EMAIL SALES@LACAL.COM

ALL PARTS ARE GUARANTEED TO MEET WITH YOUR APPROVAL. Local Equipment, Inc. offers after-market parts for road and highway maintenance equipment. All original equipment manufacturer's names, drawings, colors and part numbers are used for identification purposes only. Local is in no way implying that any of our products are original equipment parts.

THESE ARE JUST SOME OF OUR MOST REQUESTED PRODUCTS...

SCHWARZE

| | |
|------------|-------------------------------------|
| LS20947 | ELBOW, 45-DEG., 1/2" |
| LS20972 | ELBOW, 90-DEG., 1/2" NPT BRASS STR |
| LS21000 | OIL PRESSURE GAUGE |
| LS21033HD | HOSE, 12" DIA. X 24" W/3" CUFFS |
| LS21034 | HYDRANT HOSE, 25-FT, FTG.(1) END |
| LS21035 | LIGHT HOSE, 10" X 28", NO CUFFS |
| LS21035HD | HD HOSE, 10" X 28" W/2" CUFFS |
| LS210389 | FLIGHT ASSEMBLY |
| LS21048 | HOSE, 14" DIA. X 26" W/3" CUFFS |
| LS21049 | HOSE, 14" DIA. X 38" W/LG. 3" CUFFS |
| LS2123G | GALVANIZED PIPE COUPLING |
| LS21437 | INTAKE SEAL |
| LS21428030 | SEAL MATERIAL, 1/4 X 1-1/4, 30" |
| LS21475 | PICK-UP HEAD SPRING |
| LS21478 | SPRING, 2" X 12" X .375" |
| LS21506 | LIMIT SWITCH |
| LS21550 | VINYL TRIM W/ RUBBER SEAL |
| LS21699018 | UPSTOP PAD |
| LS21699090 | MIDDLE FLAP PUNCHED |
| LS21699092 | PUNCHED FLAP |
| LS21699102 | S333 PUNCHED REAR FLAP |
| LS21699110 | FLAP, REAR, PUNCHED |
| LS21702 | RUBBER, 1/4 X 6-1/2, NO HOLES |
| LS21702084 | S333 FRONT/MID FLAP, PUNCHED |
| LS21702090 | FRONT FLAP, PUNCHED |
| LS21702092 | FRONT FLAP, PUNCHED |
| LS21705060 | CURTAIN |
| LS21706081 | A4000 FRONT CURTAIN |
| LS21706090 | PUNCHED CURTAIN |
| LS21707 | FLAP, 3/8" X 9-1/2", PER FT |
| LS21707064 | CENTER DEFLECTOR CURTAIN, PUNCHED |
| LS21707081 | A4000 MIDDLE CURTAIN |
| LS21707117 | BLOWER HOUSING LINER, NO PUNCH |
| LS21707170 | A7000 BLOWER HOUSING LINER |
| LS21708025 | CURTAIN |
| LS21708090 | FRONT OUTER CURTAIN, PUNCHED |
| LS21709081 | REAR CURTAIN |
| LS21715 | INTAKE SEAL, 1-1/2" THICK |
| LS21930 | PLUG, 1/4" NPT VENTED PIPE |
| LS22034 | FILTER, 1-1/4" RETURN W/HEAD |
| LS22040 | DIRECT. VALVE |
| LS22184 | SEAL MTL., 3/8" X 1-1/4" W/ADH. |
| LS22189 | VINYL TRIM W/ RUBBER SEAL |
| LS22189070 | SIDE TRIM SEAL |
| LS22267 | RETAINING RING, E CLIP, 3/4" |
| LS22429 | SPRAY TIP, KJET BRASS |
| LS22431 | THREADED NOZZLE HOLDER |
| LS22440 | BANDED V-BELT, 5-BANDS |
| LS22542 | YELLOW SPRAY TIP |
| LS22641 | SWITCH, LEVEL LIQUID 7000 |
| LS22662 | WATER BOX CAP, 4" |
| LS22842 | SPLIT TAPER BUSHING |
| LS22842KEY | KEY FOR LS22842 BUSHING |
| LS22940 | PICKUP HEAD SPRING |
| LS22974 | GROMMET, 2" UNISEAL PIPE |
| LS23099 | BUMPER, ROUND, BLACK, 1-1/4" |

SCHWARZE

| | |
|------------|---------------------------------|
| LS23103 | ELEVATOR CHAIN, 10-FLT. |
| LS23107 | ELEVATOR MOTOR |
| LS23113 | SPRING, GAS 6" KIT |
| LS23130 | CONTROL CABLE, 132" |
| LS23131 | CONTROL CABLE, 144" |
| LS23151081 | CURTAIN |
| LS23158 | BEARING |
| LS23169 | SPLIT TAPER BUSHING |
| LS23275 | SKIRT |
| LS23285090 | PUNCHED CURTAIN |
| LS23313 | CLEVIS PIN W/ HAIRPIN |
| LS23450 | SHACKLE W/BOLT & NUT |
| LS23455 | ALUMINUM HAND KNOB |
| LS23681 | 2 WAY WATER VALVE, NC, 12VDC |
| LS23724 | SWITCH, 3 PRONG |
| LS23736 | BROOM ARBOR |
| LS23883 | SEAL MTL., 3/4" X 1-1/2" W/ADH. |
| LS23892 | NYLON LOCKNUT SS, 10-24 |
| LS23949 | SPRAY TIP RETAINING NUT |
| LS23964 | VALVE |
| LS23965 | VALVE |
| LS24006 | EXTENSION SPRING, 31/32" X 6" |

ASSEMBLIES SAVE YOU TIME & MONEY

Let Lecal Give You a Head Start!

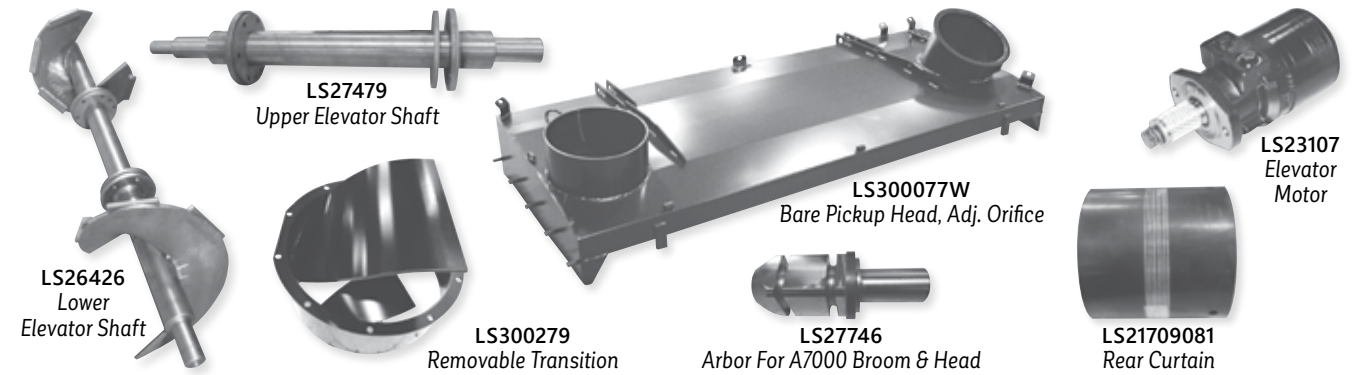
Instead of individual parts, order whole completed machine sections. Look for the word "ASSEMBLY" (or "ASSY") in our product listings or just ask!

| | |
|------------|---------------------------------|
| LS24007 | COMPRESSION SPRING |
| LS24044 | STAINLESS HOSE CLAMP |
| LS24046 | INTAKE SEAL |
| LS24049 | STAINLESS STEEL HOSE CLAMP |
| LS24117 | ELEVATOR CHAIN, 11-FLT. |
| LS24139 | ACTUATOR, 6", BALL SCREW |
| LS24222 | QUICK DISCONNECT CLAMP, 14-3/4" |
| LS24288 | ROLLER HYPRO PUMP |
| LS24308 | MOLDED DIN CONNECT, 2 REQ'D |
| LS25012 | STRIP BRUSH, 5" X 6.5" X 46" |
| LS25013 | STRIP BRUSH, 5" X 5.25" X 39" |
| LS25048 | BRASS SPRAY NOZZLE, 1/4" |
| LS25088 | KEYED SHAFT |
| LS25098 | CASTER ASSEMBLY W/SPRINGS |
| LS25151 | U-JOINT ASSEMBLY |
| LS25248 | SPLIT COUPLING, 3 PIECE |
| LS25667 | INTAKE SCROLL |
| LS25947 | GASKET SEAL, D-SHAPED |
| LS25947078 | INSPECTION DOOR SEAL |
| LS25947097 | SEAL MATERIAL |
| LS26098 | SWITCH |
| LS26099 | SWITCH |
| LS26100 | SWITCH |
| LS26252 | SEAL, "L" SHAPED |

SCHWARZE

| | |
|--------------|------------------------------------|
| LS26252100 | SEAL, 9-FT. LENGTH |
| LS26418 | ELEVATOR CHAIN, 14-FLT. |
| LS26418A | ELEVATOR CHAIN W/FLIGHT ASSY |
| LS26426 | LOWER ELEVATOR SHAFT |
| LS26455 | CORDED RUBBER, PER FT |
| LS26456 | PADDLE LOCKING LATCH |
| LS26457 | NON-LOCKING PADDLE LATCH |
| LS26486 | SPRING TORSION SS M5000 |
| LS26490 | POLY BROOM STRIP, 58" X 8-1/2" |
| LS26518 | OFFSET LINK |
| LS26519 | LINK PIN W/COTTER |
| LS26632015 | HOSE, 3/8", 250 PSI PUSHLOK |
| LS26632016 | HOSE, 3/8", 250 PSI PUSHLOK |
| LS26632076 | HOSE, 3/8", 250 PSI PUSHLOK |
| LS26669 | FAN SEAL |
| LS26747 | PRESET PRESSURE SWITCH, 2000PSI |
| LS26945 | ELBOW, 90-DEG. 1/4 FLARE X 1/4 FNP |
| LS27245 | MAIN BROOM UP-DOWN ACTUATOR SWITCH |
| LS27247 | ACTUATOR ELEV. SPIN SWITCH |
| LS27262 | ROCKER SWITCH |
| LS27413 | FLIGHT RUBBER |
| LS27479 | UPPER ELEVATOR SHAFT |
| LS27479ASSY | UPPER ELEVATOR SHAFT ASSY |
| LS27479B | SLIDING FLANGE, 3/8" THICK |
| LS27746 | ARBOR FOR A7000 BROOM & HEAD |
| LS27981 | CASTER ASSY, 10" X 3" W/1-1/4 AXLE |
| LS27982 | WHEEL ONLY, 10" X 3" X 1-1/4" |
| LS28445 | V CLAMP, 16-1/8 |
| LS28482 | HOPPER INLET SEAL |
| LS28537 | CASTER AXLE KIT |
| LS28537SHAFT | SHAFT WELDMENT |
| LS28562 | TORQUE MOTOR |
| LS28578 | AIR CYLINDER |
| LS28594 | CYLINDER, TAKE UP TEMP #EX-0178 |
| LS28608 | BEARING |
| LS28609 | BEARING |
| LS28611 | BEARING, DU 2" I.D. X 1-1/2" LG |
| LS28632 | FLIGHT RUBBER |
| LS28636 | ELEVATOR SHAFT BEARING, 2-BOLT |
| LS28636P | ELEVATOR SHAFT BEARING, 2-BOLT |
| LS28649 | BROOM ARBOR ASSEMBLY |
| LS28649W | BROOM ARBOR WELDMENT |
| LS28671 | HARDENED SPROCKET, 21 TOOTH |
| LS28708 | HARDENED SPROCKET, 30 TOOTH |
| LS28726 | SS SNAP RETAINER, (SAFETY) |
| LS28840 | BEARING, 1 1/4" X 3/4" |
| LS29102 | E-STYLE EXTERNAL RET. RING, 1" |
| LS29114 | HARDENED SPROCKET, 24T |
| LS29116 | HYDRAULIC MOTOR |
| LS29133 | SS PIANO HINGE, 2.5" X 48" |
| LS29135 | SS PIANO HINGE, 2.5" X 28" |
| LS29138 | T-HANDLE LATCH |
| LS29145 | M6000 M.BROOM DRIVE CHAIN |
| LS29146 | ELEVATOR DRIVE CHAIN |

LACAL HAS MANY MORE ITEMS AVAILABLE – JUST ASK!



SCHWARZE

| | |
|-----------|---------------------------------|
| LS29153 | PNEUMATIC CYLINDER, 2" X 15.75" |
| LS29226 | MAIN BROOM COVER HINGE, SS |
| LS29233 | EYE BOLT |
| LS29252 | BALL ROD END JOINT, 1/2-20 |
| LS29273 | WATER TANK |
| LS29279 | LONG ALUMINUM DOOR HINGE |
| LS29320 | CURTAIN SET W/HARDWARE |
| LS29321 | 347/348 FAN HOUSE LINER KIT |
| LS29322 | GAS SPRING, 7" |
| LS29333 | 347/348 CURTAIN SET W/HDW. |
| LS29336 | PUNCHED CURTAIN SET W/HDW. |
| LS29337 | A4000 BLOWER HSG. LINER KIT |
| LS29337A | BLOWER HOUSING LINER ONLY |
| LS29338 | POWER HEAD CURTAIN SET W/HDW. |
| LS29339 | BLOWER HOUSING LINER KIT |
| LS29342 | A7/A8/A9 HEAD STOP FLAP |
| LS29367 | A7 CENTER FLAP, GMC, STERLING |
| LS29408 | GAS SHOCK |
| LS29444 | SQUEEGEE |
| LS29494 | RUBBER SEAL (BOLT IN TUBE) |
| LS29923 | INTAKE SEAL, 10" |
| LS29986 | ACTUATOR, 4", 1200 LB. |
| LS300077 | PICKUP HEAD ASSY, ADJ. ORFICE |
| LS300077W | BARE PICKUP HEAD, ADJ. ORFICE |
| LS3001137 | FAN SHAFT, JD 140 ENG. |
| LS300152 | ADJ BLAST ORFICE BRACKET |
| LS300216 | COUNTERBALANCE SLEEVE WELD. |
| LS300217 | COUNTERBALANCE JACKSCREW |
| LS300279 | REMOVEABLE TRANSITION |
| LS313440 | RH PARKING BRAKE CABLE ASSY |
| LS32112 | CLEVIS PIN, 5/8" X 2-1/2" |
| LS32132 | BUTTON SOCKET, SS, 10-24 X 1/2 |
| LS344I | MODEL 344I KIT |
| LS346IKIT | MODEL 346I KIT |
| LS352409 | LEFT HAND ARM WELDMENT |
| LS41201 | LH GUTTER BROOM MOUNT |
| LS41203 | LH GUTTER BROOM PIVOT |
| LS41205 | LH LINKAGE MOUNT |
| LS41207 | LH MOTOR BRACKET |
| LS41211 | PIN |
| LS41215 | SPRING BELL CRANK |
| LS41221 | LINK |
| LS41401 | PIN |
| LS41407 | RH LIFT BELL CRANK |

SCHWARZE

| | |
|-----------|--------------------------------|
| LS41411 | RH MAIN BROOM LIFT ARM |
| LS41413 | MAIN BROOM ROCK SHAFT |
| LS41415 | PRES. CONTROL ROCK SHAFT |
| LS41421 | MAIN BROOM LIFT STRAP |
| LS41423 | LH PRESSURE CONTROL ARM |
| LS41425 | RH PRESSURE CONTROL ARM |
| LS41433 | LH DIRT SHOE PLATE |
| LS41435 | RH DIRT SHOE PLATE |
| LS41441 | CONVEYOR PIN |
| LS41441C | MAIN BROOM ARM TUBE |
| LS41503 | LH & RH REAR CANOPY FRONT DOOR |
| LS41612 | LH REAR COVER BACK DOOR |
| LS41726 | RUBBER FLIGHT |
| LS41738 | SHAFT SPACER |
| LS41740 | LOCK PLATE |
| LS41764 | CONVEYOR SWIVEL SHAFT |
| LS41766 | CONVEYOR LIFT ARM |
| LS41768 | PIVOT SHAFT MOUNT |
| LS41770 | CONVEYOR LIFT STRAP |
| LS41771 | REST TUBE |
| LS41772 | BOTTOM RUBBER |
| LS41776 | RUBBER SEAL |
| LS42067 | RUBBER DIRT DEFLECTOR |
| LS42132 | HOPPER SAFETY MOUNT |
| LS42201 | SPRAY BAR |
| LS42883 | KEY, 5/16" X 5/16" X 2" |
| LS42901 | HOPPER |
| LS42907 | HOPPER DOOR |
| LS42915 | RUBBER FLASHING |
| LS42917 | UPRIGHT FLASHING |
| LS43107 | SEPARATOR |
| LS43109 | LOWER SHAFT |
| LS43113 | UPPER SHAFT |
| LS43115 | CONVEYOR SPACER |
| LS43121 | CANOPY |
| LS43127 | CONVEYOR ADJUSTMENT ANGLE |
| LS43129 | ELEVATOR CENTER RING BUSHING |
| LS43133 | BUSHING |
| LS43134 | CONVEYOR CHAIN GUARD |
| LS5200087 | SUCTION CURTAIN |
| LS520014 | A7000 P.U. HEAD, FIXED ORFICE |
| LS5200140 | HOSE HOLDER |
| LS520019 | A7000 STD. FAN HOUSING |
| LS520019H | BLEEDER DOOR, SS |

SCHWARZE

| | |
|--------------|------------------------------|
| LS520019I | BLEEDER DOOR VANE, SS |
| LS520029 | LH DRAG ARM, NON ADJUSTABLE |
| LS520030 | CENTER DEFLECTOR BRACKET |
| LS5200439 | CLAMP |
| LS5200701 | PIVOT BAR |
| LS5201794 | DUMP DOOR HINGE PIN |
| LS5202023 | CURTAIN CLAMP |
| LS5202581 | FAN SHAFT |
| LS520310 | LOWER HOPPER SUCTION TUBE |
| LS520311 | HOPPER HINGE PIN |
| LS5203726 | FRONT & MIDDLE CURTAIN CLAMP |
| LS5203727 | REAR CURTAIN CLAMP |
| LS5203926 | HOSE BRACKET |
| LS520396 | A7000 HOPPER INSPECTION DOOR |
| LS5204003 | SHAFT |
| LS520425 | PLATE & SKID SHOE, 1-PC. |
| LS5204418 | DOOR CYLINDER PIN |
| LS5204419 | H/H COVER DOOR |
| LS520463 | DEFLECTOR FLAP MOUNT |
| LS520479 | DOOR PROP WELDMENT |
| LS5204856 | BROOM DRIVE HUB |
| LS5204931 | RH SPRING HANGER |
| LS5204932 | LH SPRING HANGER |
| LS5206371 | ATTACHING RING, 8" |
| LS5206385 | FAN SEAL |
| LS520644 | HOPPER INTAKE TUBE |
| LS520673 | A7000 IMPELLER |
| LS520684 | HAND HOSE COVER PLATE |
| LS520695 | RH DRAG ARM, NON ADJUSTABLE |
| LS5207095 | IDLER ARBOR |
| LS5207160 | ROD END, DRILLED & TAPPED |
| LS5207211 | ACTUATOR PIN |
| LS5207229BAH | BLAST ORFICE SHIM, BAH |
| LS5207233 | MOTOR ARM |
| LS5207250 | CURTAIN BACKING STRIP |
| LS5207254 | SELF-ALIGNING SLIDE NUT |
| LS5207259 | TOWER POWERHEAD BOOT |
| LS5207450 | HOPPER ROOF DOOR |
| LS5207458 | CURTAIN CLAMP |
| LS5207976 | A4000 FAN SHAFT KEY |
| LS520804 | BLOWER WHEEL, 28" STD. |
| LS520823 | MOUNTING PLATE, 5" HAND HOSE |
| LS520824 | CAP DOOR WELDMENT |
| LS520829 | DIRT HOPPER |

BEFORE BUYING ELSEWHERE, GET AN ABSOLUTELY FREE QUOTE FROM LACAL!

ALL PARTS ARE GUARANTEED TO MEET WITH YOUR APPROVAL. Lecal Equipment, Inc. offers after-market parts for road and highway maintenance equipment. All original equipment manufacturer's names, drawings, colors and part numbers are used for identification purposes only. Lecal is in no way implying that any of our products are original equipment parts.

CONTACT US TODAY VIA PHONE 800.543.6161 or EMAIL SALES@LACAL.COM

ALL PARTS ARE GUARANTEED TO MEET WITH YOUR APPROVAL. Lecal Equipment, Inc. offers after-market parts for road and highway maintenance equipment. All original equipment manufacturer's names, drawings, colors and part numbers are used for identification purposes only. Lecal is in no way implying that any of our products are original equipment parts.

THESE ARE JUST SOME OF OUR MOST REQUESTED PRODUCTS...

SCHWARZE

| | |
|--------------|--------------------------------|
| LS520829 | ASSY HOPPER ASSEMBLY |
| LS520831 | HAND HOSE DOOR |
| LS520845 | HOPPER INSPECTION DOOR |
| LS520845SS | HOPPER INSPECTION DOOR, SS |
| LS520846 | DUMP DOOR |
| LS520846SS | HOPPER DUMP DOOR, SS |
| LS520940 | PICKUP HEAD |
| LS520940F | INLET TUBE |
| LS520941 | BROOM TURNBUCKLE |
| LS520966 | HAND HOSE, 8" HANDLE |
| LS5210301 | BLOWER SHAFT |
| LS5210400 | FLAP |
| LS521063 | SR SKID SHOE W/PLATE |
| LS521079 | HAND HOSE, 8" TRANSITION PLATE |
| LS5210847 | FRONT BIH CURTAIN STIFFENER |
| LS521089 | LONG BROOM TIE ROD |
| LS521093 | BROOM INNER CYLINDER, 2 X 5 |
| LS5210936 | A4000 P.U.H. DEFLECTOR (STEEL) |
| LS5211063 | HINGE PLATE |
| LS5211436 | PUNCHED KICKER FLAP |
| LS5211447 | DIVIDER BACKING STRIP |
| LS5211455 | PUNCHED DIVIDER FLAP |
| LS5211456 | KICKER BACKING STRIP |
| LS521158 | ENGINE LEG-REAR PREP |
| LS5211827 | BLAST ORIFICE FLAP |
| LS521189B | DR CARBIDE SHOE W/PLATE |
| LS521189BA | BOLT-ON SHOE ONLY |
| LS521189BB | PLATE ONLY |
| LS5211908 | A4000 FAN SHAFT |
| LS521197 | FRAME TRANSITION TUBE |
| LS5212242 | 347/348 FAN SHAFT |
| LS5212667 | FAN BEARING SPACER |
| LS5212813 | DRAIN COVER PLATE |
| LS5213212 | SHIM ADJ BLAST ORFICE |
| LS521328 | 340/347/348 STD IMPELLER, 30" |
| LS5213487 | OUTRIGGER SENSOR BRACKET |
| LS5214167 | 347/348 FAN HOUSING LINER |
| LS5214182 | WATER POD TRAY |
| LS5214617 | FAN HOUSING DOOR LINER |
| LS5214707 | FRONT FLAP |
| LS5214708 | REAR FLAP |
| LS5214857 | FAN SHAFT, 1-11/16" X 39" |
| LS521495 | DR CARBIDE SHOE W/PLATE, 24" |
| LS5215512 | CURTAIN |
| LS521645 | POWERHOOD WELDMENT |
| LS521645ASSY | A8000 PICKUP HEAD ASSEMBLY |
| LS521647 | D.R. CARBIDE SKID SHOE W/PLATE |
| LS521649 | 7000 BAH ACTUATOR TOWER |
| LS521654 | ADJUSTABLE BLAST ORIFICE, BAH |
| LS521655 | JACKSCREW, HEAD (POWER) 7000 |
| LS521703 | INSPECTION DOOR LATCH |
| LS521824 | DRAG ARM |
| LS521850 | LH GUTTER BROOM ARM |
| LS521851 | RH GUTTER BROOM ARM |
| LS521852 | LH TILT LEVER PIVOT |
| LS521853 | RH TILT LEVER PIVOT |
| LS521885 | SUCTION TUBE & FLANGE WELD. |

SCHWARZE

| | |
|--------------|----------------------------------|
| LS521948 | PICKUP HEAD |
| LS521948J | SUCTION RECT-TO-ROUND |
| LS521948K1 | SUCTION TUBE |
| LS521951 | A3000/347/348 IMPELLER |
| LS522053 | LH BAH UPSTOP |
| LS522054 | RH BAH UPSTOP |
| LS522104 | LH G.BROOM MOTOR BRACKET |
| LS522105 | RH G.BROOM MOTOR BRACKET |
| LS522131 | CASTER AXLE, 1-1/4" DIA. |
| LS522146 | ACTUATOR MOUNT |
| LS522190 | OUTRIGGER |
| LS522191 | OUTRIGGER FOOT |
| LS522209 | GUTTER BROOM T-PIN WELDMENT |
| LS5222326 | UPSTOP |
| LS522257 | CASTER ASSY, 10" X 3", 3/4" AXLE |
| LS522317 | A7000 BLOWER HOUSING |
| LS522319 | REVERSE CURVE FAN W/BUSH., 30" |
| LS522320 | FAN HOUSING BACK PLATE |
| LS522325 | A4000 SHROUD WELDMENT |
| LS522325-328 | A4000 HOPPER & SHROUD WELD. |
| LS522325KIT | A4000 SHROUD KIT |
| LS522326 | HOPPER SCREEN |
| LS522328 | DIRT HOPPER WELDMENT |
| LS522328-325 | A4000 HOPPER & SHROUD WELD. |
| LS522328ASSY | A4000 HOPPER ASSEMBLY |
| LS522329 | SEPARATOR DOOR |
| LS522337 | FAN HOUSING CENTER PLATE |
| LS522339T | A7000 IMPELLER W/BUSHING |
| LS522346 | BLOWER HOUSING |
| LS522355 | STD. SWEEPING HEAD LIFT CHAIN |
| LS522360 | A4000 BLOWER HOUSING WELD. |
| LS522361 | FAN COVER PLATE WELDMENT |
| LS522364 | TRANSITION WELDMENT |
| LS522366 | DRAG LINK, BAH, NON-ADJ. |
| LS522369 | LH SIDE HEADSTOP |
| LS522370 | RH SIDE HEADSTOP |
| LS522372 | REVERSE-CURVE FAN, 28", 3" WIDE |
| LS522373 | BEARING PORT COVER |
| LS522374 | TURNBUCKLE |
| LS522375 | SIDE INSPECTION DOOR W/LATCH |
| LS522390 | DRAG ARM WELDMENT |
| LS522399 | LH DUMP DOOR HINGE |
| LS522400 | RH DUMP DOOR HINGE |
| LS522421 | STOP/SHIM-GUTTER BROOM |
| LS522464 | LH HEAD STOP WELDMENT |
| LS522465 | RH HEAD STOP WELDMENT |
| LS522482 | A8000 REAR SCREEN |
| LS522483 | A8000 FRONT SCREEN |
| LS522484 | A8000 UPPER DOOR |
| LS522517 | LH UPSTOP |
| LS522518 | RH UPSTOP |
| LS522595 | S347/348 DIRT HOPPER |
| LS522599 | S348 HOPPER DUMP DOOR |
| LS522600 | S348 HOPPER ROOF DOOR |
| LS522601 | S348I HOPPER SCREEN |
| LS522604 | DUMP DOOR HINGE |
| LS522605 | SEPARATOR DOOR |
| LS522628 | SEPARATOR DOOR WELDMENT |

SCHWARZE

| | |
|-----------------|------------------------------------|
| LS522629 | SEPARATOR DOOR WELDMENT, SS |
| LS522660 | UPPER QUICK ATTACH |
| LS522709 | PICKUP HEAD WELD., ADJ. ORIFICE |
| LS522709ASSY | PICKUP HEAD WELDMENT, ASSY |
| LS522711 | LH DP BROOM MOTOR BRACKET |
| LS522712 | RH DP BROOM MOTOR BRACKET |
| LS522718 | P.U. HEAD, QD FLANGE, ABO-STYLE |
| LS5227181 | STD. PICKUP HEAD, ASSEMBLED |
| LS5227182 | P.U. HEAD WELD., QD, W/RUBBER |
| LS522735 | LH ADJUSTABLE DRAG ARM |
| LS522736 | RH ADJUSTABLE DRAG ARM |
| LS522737 | RH ADJUSTABLE DRAG ARM |
| LS522737A | RH DRAG ARM BRACKET |
| LS522738 | LH ADJUSTABLE DRAG ARM |
| LS522738A | LH DRAG ARM BRACKET |
| LS522760 | A7000 RH HOPPER SCREEN |
| LS522761 | A7000 LH HOPPER SCREEN |
| LS522762 | RH HOPPER SCREEN, SS |
| LS522763 | LH HOPPER SCREEN, SS |
| LS522804 | QUICK DISCONNECT |
| LS522833 | REAR DROP DOWN SCREEN |
| LS522840 | A7000 DRAIN SCREEN WELDMENT |
| LS522853 | HANGER STRAP, 150-GAL. WATER TANK |
| LS522860 | HOPPER W/WELD IN SUCTION TUBE |
| LS522860WOS | A7000 HOPPER W/O SHROUD |
| LS522867 | CENTER MOUNT PULLEY, REMOTE SCREEN |
| LS522878 | REAR SCREEN, SS |
| LS522891 | RH BENT SECTION |
| LS522891/523822 | LH DRAG ARM ASSEMBLY |
| LS522892 | LH BENT SECTION |
| LS522892/523823 | RH DRAG ARM ASSEMBLY |
| LS522902 | LHS HEAD STOP |
| LS522903 | RHS HEAD STOP |
| LS522945 | WATER FILL ASSEMBLY |
| LS522983 | ACTUATOR BASE PLATE WELDMENT |
| LS523057 | WATER TANK STRAP BRACKET |
| LS523058 | FILL HOSE RACK |
| LS523064 | ADJUSTABLE BLAST ORIFICE |
| LS523103 | INTAKE TUBE |
| LS523106 | FAN HOUSING ASSEMBLY |
| LS523151 | FRAME WELDMENT, D/D SCREEN |
| LS523152 | FRONT DROP DOWN SCREEN |
| LS523153 | BOLT-IN SUCT. TUBE TYPE HOPPER |
| LS523153WOS | HOPPER WELDMENT W/O SHROUD |
| LS523153YA | SEPARATOR RING |
| LS523154 | DUMP DOOR |
| LS523155 | INSPECTION DOOR |
| LS523156 | HOPPER INTAKE TUBE WELDMENT |
| LS523159 | HOPPER TOOLBOX DOOR |
| LS523167 | FRONT SCREEN, SS |
| LS523169 | TRANSITION TUBE MOUNT BRACKET |
| LS523170 | TRANSITION TUBE WELDMENT |
| LS523171 | DUMP DOOR, SS |
| LS523172 | A7000 HOPPER, SS |
| LS523214 | S333-SE IMPELLER, 28" |
| LS523282 | LIMB GUARD |

LACAL HAS MANY MORE ITEMS AVAILABLE – JUST ASK!

SCHWARZE

| | |
|------------|---|
| LS523314 | IMPELLER REVERSE CURVE, 32.75 X 5 |
| LS523353 | 30" FAN 5 3/8" WHISPERWHEEL |
| LS523432 | HIGH U-JOINT ASSEMBLY, 3-3/8" |
| LS523440 | LH GUTTER BROOM ARM |
| LS523441 | RH GUTTER BROOM ARM WELD |
| LS523487 | RH WIDER GUTTER BROOM TUBE |
| LS523488 | LH WIDER GUTTER BROOM TUBE |
| LS523656 | INTAKE TUBE, HOPPER |
| LS523707 | A7000 IMPELLER, 32.75" X 5" |
| LS523822 | LH DRAG LINK |
| LS523823 | RH DRAG LINK |
| LS524023 | SWEEPING HEAD |
| LS524065 | HOPPER SCREEN |
| LS524242 | PICKUP HEAD, 82" |
| LS524278 | FLAP MOUNT WELDMENT |
| LS524975 | DBL. CIRC DISC BROOM WELD. |
| LS525166 | LHD HOPPER INTAKE TUBE, A4T |
| LS525358 | DRAG ARM |
| LS525423 | BOLT-ON WELD. OUTLET TUBE |
| LS525425 | A7000 HEAD WELDMENT ONLY |
| LS54310 | INTAKE FOAM SEAL |
| LS55004 | SOLENOID DIRECTIONAL CARTRIDGE |
| LS59256090 | PUNCHED CURTAIN |
| LS59572 | PULLEY, 8/3V690 SKLS59573 PULLEY, 8/3V530 SK |
| LS59574 | 3VX BANDED COGGED BELT, 8 BANDS |
| LS60024 | AHH NOZ & STOB ASSEMBLY |
| LS60188 | CONNECTOR, 3/4 AIR X 1/2 NPT |
| LS60589 | CHAIN W/COTTER PIN |
| LS60735 | 5 STAGE DIAPHRAGM PUMP |
| LS61031 | ADAPTER, 1/2 MORFS X 5/8 MORB |
| LS6200089 | PIVOT ARM |
| LS620012 | DRAPE HINGE |
| LS6200127 | OUTRIGGER PIN CYLINDER |
| LS6200145 | WEAR PAD |
| LS6200146 | FRAME SPACER PLATE |
| LS620016 | LOWER BEARING CAGE |
| LS620018 | ELEVATOR DEFLECTOR DOOR |
| LS620020 | DEFLECTOR DOOR |
| LS6200206 | CLAMP |
| LS6200343 | THIN BRIDGE SPACER |
| LS6200344 | MEDIUM BRIDGE SPACER |
| LS620036 | LOWER GUTTER BROOM ARM |
| LS620037 | UPPER GUTTER BROOM ARM |
| LS620039 | GUTTER BROOM ARM ASSEMBLY |
| LS620055 | MAIN BROOM TOW BAR WELD. |
| LS6200571 | 9.6 DUMP PIVOT PIN |
| LS620063 | HOPPER CYLINDER PIN |
| LS6200704 | UPPER SEAL BACKER STRIP |
| LS6200705 | BOTTOM FLAP BACKING STRIP |
| LS6200706 | FLIGHT BACKING BAR |
| LS6200742 | CLAMP |
| LS6200757 | UPPER SHAFT ADJUSTER |
| LS6200761 | ELEVATOR FLOOR, 87.25" |
| LS6200764 | ELEVATOR SHAFT DUST COVER |
| LS6200780 | SIDE UPPER SEAL FLAP |
| LS6200781 | TOP SEAL ELEVATOR FLAP |

SCHWARZE

| | |
|----------------|---------------------------------|
| LS6200782 | BOTTOM SEAL ELEVATOR FLAP |
| LS6200783 | FLIGHT SQUEEGE |
| LS6200784 | DRAPE RUBBER ONLY |
| LS6200800 | LONG FLOOR PLATE, 101" |
| LS6200815 | M5000 FLIGHT ANGLE WELDMENT |
| LS6200815ASSY | M5000 FLIGHT ASSEMBLY |
| LS620099 | BROOM WAFER CORE |
| LS6201052 | M.BROOM END PLATE, TUFT CORE |
| LS6201061 | MAIN BROOM SHAFT |
| LS620110 | BROOM FRAME |
| LS6201127 | SPACER |
| LS6201258 | ROD |
| LS620146 | TORQUE ARM CATCHER |
| LS6202069 | MAIN BROOM PIVOT EAR |
| LS6202071 | LINK |
| LS6202168 | LH REAR CARTRIDGE ANCHOR |
| LS6202169 | REAR CARTRIDGE ANCHOR |
| LS6202226 | ELEVATOR HOUSING ADJ. SLEEVE |
| LS6202229 | ELEVATOR FLOOR PLATE, AR |
| LS6202261 | CASTER WHEEL SPACER |
| LS6202314 | REAR MAIN BROOM FLAP |
| LS6202315 | MAIN BROOM FRONT FLAP |
| LS6202339 | ELEVATOR DRAPE BACKING STRIP |
| LS6202347 | REAR FLAP BACKING STRIP |
| LS6202372 | ELEVATOR SEAL BACKING STRIP |
| LS6202386 | CORNER RUBBER FLAP |
| LS6202407 | DIRT DEFLECTOR |
| LS6202408 | MAIN BROOM SKIRT |
| LS6202415 | FOOT OUTRIGGER PIN |
| LS6202503 | AUGER SHAFT BEARING DIRT SHIELD |
| LS620418 | LONG ELEVATOR FRAME |
| LS620441 | MAIN BROOM FRAME CONNECTOR |
| LS620441538539 | MAIN BROOM FRAME ASSY |
| LS620446 | LH OUTER BRUSH CLAMP |
| LS620447 | RH OUTER BRUSH CLAMP |
| LS620449 | BROOM COVER UPPER |
| LS620453 | MAIN BROOM ADJ. |
| LS620538 | LH MAIN BROOM SIDE PLATE |
| LS620539 | RH MAIN BROOM SIDE PLATE |
| LS620557 | BROOM STABILIZER SHOCK |
| LS620582 | MAIN BROOM WAFER CORE |
| LS620588 | LH G.BROOM MOUNT BRACKET |
| LS620589 | RH G.BROOM MOUNT BRACKET |
| LS620857 | TOW RAIL WELDMENT |
| LS620858 | MAIN BROOM FRAME |

SCHWARZE

| | |
|-----------|-----------------------------------|
| LS620860 | TORQUE ARM WELDMENT |
| LS620862 | M. BROOM BEARING W/ADJUSTER |
| LS620863 | LHS M.B. ELEVATOR LIFT HOOK |
| LS620864 | RHS M.B. ELEVATOR LIFT HOOK |
| LS620865 | M.BROOM ELEVATOR LIFT WELD |
| LS620867 | LHS M.BROOM LIFT BROOM HOOK |
| LS620868 | RHS M.BROOM LIFT BROOM HOOK |
| LS620869 | M5000 DIRT HOPPER, RH DUMP |
| LS620870 | LH HOPPER DUMP DOOR |
| LS620871 | RH HOPPER DUMP DOOR |
| LS620883 | ELEVATOR CUP |
| LS620887 | ELEVATOR JACKSCREW |
| LS620888 | SHAFT ADJ. ELEV. JACKSCREW |
| LS620889 | ARM SHAFT MOTOR MOUNT |
| LS620890 | ANCHOR CAP ELEVATOR HOUSING |
| LS620893 | SEAL PLATE |
| LS620899 | BROOM DISC WELDMENT |
| LS620899E | HUB |
| LS620902 | TOW RAIL HITCH |
| LS620904 | LH BOTTOM ELEVATOR ADJUST |
| LS620905 | RH BOTTOM ELEVATOR ADJUST |
| LS620906 | ADJUSTER SLEEVE |
| LS620907 | MAIN BROOM COVER |
| LS620908 | TOP TIE ROD |
| LS620909 | BOTTOM TIE ROD |
| LS620925 | LH BRUSH RAIL TRACK |
| LS620926 | RH BRUSH RAIL TRACK |
| LS620927 | MAIN BROOM DEFLECTOR |
| LS620933 | CENTER DEFLECTOR WELDMENT |
| LS620937 | MAIN BROOM MOTOR COVER |
| LS620945 | TORQUE ARM |
| LS620966 | DOWN PRESSURE ASSEMBLY |
| LS62418 | GAS SHOCK |
| LS62907 | ACCESS DOOR |
| LS64022 | ROLLER ASSEMBLY |
| LS64027 | UPPER ROLLER ASSEMBLY |
| LS64210 | POLY GUTTER BROOM, 2-SEGMENT |
| LS64236 | LOWER BROOM ARM PIN, M6AV |
| LS64242 | U-JOINT BROOM ARM PIN |
| LS64243 | POLYGON BEARING COMPOSITE, M6 |
| LS64245 | LOWER CONVEYOR SHAFT WELD. |
| LS64246 | UPPER CONVEYOR SHAFT WELD. |
| LS64247 | ELEVATOR FLIGHT RUBBER |
| LS64249 | ELEVATOR DRAG SKIRT |
| LS64249HD | HD ELEVATOR DRAG SKIRT |
| LS64250 | MAIN BROOM ARBOR |
| LS64251 | LOCK COLLAR, 2.75 ID X 4 OD, 2-PC |
| LS64252 | MAIN BROOM SHAFT COUPLER |
| LS64258 | DRAG SHOE ATTACHING RUBBER |
| LS64268 | RAKE TINE, 1.125" I.D. |
| LS64270 | M6 MAIN BROOM SKIRT |
| LS64272 | THRUST WASHER, 2" OD X 1.27" ID |
| LS64287 | HOPPER INLET FLAP, RIGHT |
| LS64303 | CONVEYOR SIDE DEFLECTOR |
| LS64415 | BENT RUBBER DRAG SHOE |
| LS64440 | CYLINDER |
| LS64447 | G.B. MOTOR MOUNT PIVOT PIN, 2 |
| LS64511 | DORSAL FIN, M6AV MB DRAG SHOES |

**WAIT... I DON'T SEE
THE PART I NEED!**

Call 800.543.6161 to access our
entire inventory of parts.
This catalog is only a portion of
the quality replacement parts that
Lacal Equipment offers!

BEFORE BUYING ELSEWHERE, GET AN ABSOLUTELY FREE QUOTE FROM LACAL!

ALL PARTS ARE GUARANTEED TO MEET WITH YOUR APPROVAL. Lacal Equipment, Inc. offers after-market parts for road and highway maintenance equipment. All original equipment manufacturer's names, drawings, colors and part numbers are used for identification purposes only. Lacal is in no way implying that any of our products are original equipment parts.

CONTACT US TODAY VIA PHONE 800.543.6161 or EMAIL SALES@LACAL.COM

ALL PARTS ARE GUARANTEED TO MEET WITH YOUR APPROVAL. Lacal Equipment, Inc. offers after-market parts for road and highway maintenance equipment. All original equipment manufacturer's names, drawings, colors and part numbers are used for identification purposes only. Lacal is in no way implying that any of our products are original equipment parts.

THESE ARE JUST SOME OF OUR MOST REQUESTED PRODUCTS...

SCHWARZE

| | |
|---------------|--------------------------------|
| LS64903 | GUTTER BROOM MOTOR |
| LS6500213 | RH DRAG SHOE RETAINER PLATE |
| LS6500214 | LH DRAG SHOE RETAINER PLATE |
| LS6500268 | MAIN BROOM CHAIN GUARD |
| LS6500338 | SPACER |
| LS6500358 | HINGE |
| LS6500359 | HINGE |
| LS650036 | CHAIN TENSION PLATE WELDMENT |
| LS6500391ASSY | LOWER SIDE PLATE |
| LS6500391SP | M6000 RH LOWER SIDE PLATE |
| LS6500392ASSY | LH LOWER SIDE PLATE |
| LS6500392SP | M6000 LH LOWER SIDE PLATE |
| LS6500394 | INNER PANEL |
| LS650040 | RH DRAG SHOE PLATE |
| LS650041 | LH DRAG SHOE PLATE |
| LS650043 | ELEVATOR MOTOR MOUNT WELD. |
| LS6500483 | SHORT PIVOT PIN |
| LS6500485 | LONG PIVOT PIN |
| LS650054 | SCISSOR BASE FRAME |
| LS650055 | LOWER SCISSOR ARM |
| LS650061 | HOPPER PIVOT PIN W/ZERK |
| LS650063 | HINGE PIN |
| LS650064 | PIN |
| LS650067 | UPPER LIFT FRAME WELDMENT |
| LS650068 | SCISSOR ARM |
| LS6500680 | ELEVATOR BEARING DUST COVER |
| LS6500702 | G.BROOM DISC, 4- OR 5-SEGMENT |
| LS650072 | M6000 DIRT HOPPER, 5-YD. |
| LS650072ASSY | M6000 HOPPER ASSEMBLY |
| LS650072L | DRILLED SET COLLAR |
| LS650072M | DRILLED SET COLLAR |
| LS650073 | M6000 HOPPER DUMP DOOR |
| LS650076 | UPPER HOPPER DUMP CYL. PIN |
| LS6500770 | BROOM ARM PIVOT PIN |
| LS6500771 | LOWER ELEVATOR LINK PIVOT PIN |
| LS6500772 | ELEVATOR LINK UPPER PIVOT PIN |
| LS650078 | LOWER SCISSOR WELDMENT |
| LS6500780 | ELEVATOR DRAPE HINGE ROD |
| LS650079 | UPPER SCISSOR ASSEMBLY |
| LS650081 | RH MAIN BROOM ARM |
| LS650082 | LH MAIN BROOM ARM |
| LS6500821 | BROOM SPACER |
| LS650087 | ELEVATOR LINK PIN |
| LS6500879 | HOPPER FLOOR DOOR |
| LS6500937 | PIN |
| LS650095 | G.B. LOWER LINK W/O BUSHINGS |
| LS6500950 | PIN |
| LS650096 | RH GUTTER BROOM BASE WELD. |
| LS650097 | RH HEAD MOUNT |
| LS6500985 | FLOOR JOINT |
| LS650099 | RH HEAD PIVOT WELDMENT |
| LS6501009 | LIFT CYLINDER PIN RETAINER |
| LS650104 | LINK PIVOT PIN |
| LS650105 | HEAD PIVOT PIN |
| LS650106 | HEAD STOP |
| LS6501072 | HOPPER DUMP DOOR CYL. PIN |
| LS650108 | LIFT CAM |
| LS6501096 | RUBBER DR. SHOE SEAL, NEOPRENE |

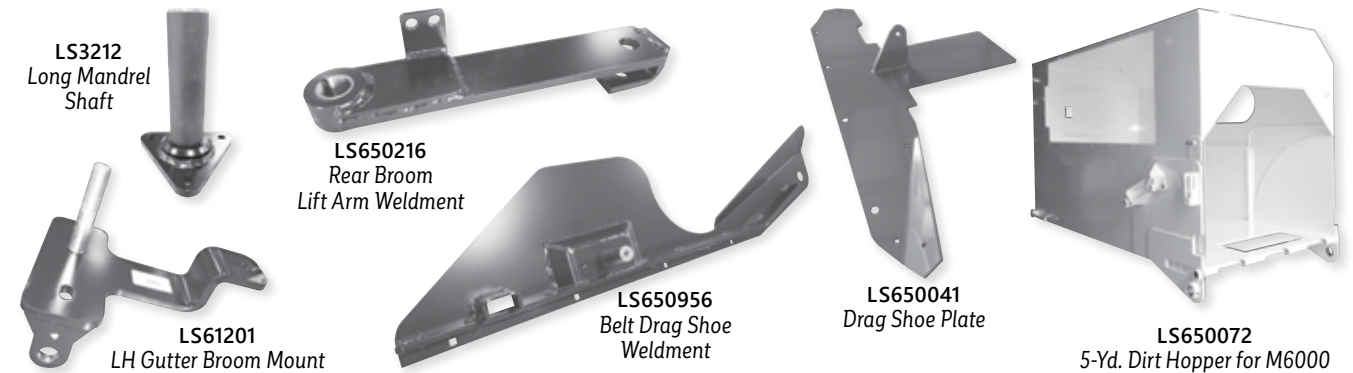
SCHWARZE

| | |
|------------|-----------------------------------|
| LS6501096B | RUBBER DRAG SHOE SEAL, REINFORCED |
| LS6501146 | LEAF LIFT LINK |
| LS6501183 | ELEVATOR DRAG SKIRT |
| LS650121 | SLIDE BLOCK |
| LS6501280 | TOP HOPPER INLET FLAP |
| LS6501281 | BOTTOM HOPPER INLET FLAP |
| LS6501282 | LEFT HOPPER INLET FLAP |
| LS6501283 | RIGHT HOPPER INLET FLAP |
| LS6501293 | G.BROOM RAISE WEAR PAD PLATE |
| LS650130 | LH G.BROOM BASE WELDMENT |
| LS6501329 | ELEVATOR DUST COVER |
| LS6501330 | ELEVATOR UPPER LINER |
| LS6501331 | ELEVATOR LOWER LINER |
| LS650136 | LH HEAD PIVOT WELDMENT |
| LS6501384 | HOSE TRAY SIDES |
| LS6501385 | HOSE SHELF |
| LS650140 | UPPER ELEVATOR SHAFT WELD. |
| LS6501417 | INSPECTION DOOR |
| LS6501422 | ELEVATOR BEARING DUST COVER |
| LS6501432 | ANGLE HOPPER SEAL BRACKET |
| LS650144 | LOWER ELEVATOR SHAFT WELD. |
| LS6501484 | SLIDING FLANGE |
| LS650150 | GUTTER BROOM HUB WELDMENT |
| LS6501585 | ELEVATOR WASHER PIPE |
| LS6501600 | MAIN BROOM SPACER |
| LS6501606 | GUTTER BROOM PLATE |
| LS6501703 | FLIGHT CLAMP |
| LS6501706 | ELEVATOR WEAR PLATE |
| LS6501719 | M6000 LH FENDER SKIRT PANEL |
| LS6501747 | M.BROOM COVER SIDES SPACER |
| LS6501752 | LH M.B. CORNER BRACE WELD. |
| LS6501753 | RH M.B. CORNER BRACE WELD. |
| LS650203 | RH LEAF LIFT ASSEMBLY |
| LS650210 | ELEVATOR LIFT LINK W/BUSHINGS |
| LS650213 | CYLINDER ARM WELDMENT |
| LS650216 | LH REAR BROOM LIFTARM WELD. |
| LS650222 | R/L SHAFT WELD. REAR BROOM |
| LS650224 | RH REAR BROOM LIFTARM WELD. |
| LS6502284 | LIFT CAM WEAR PLATE |
| LS650234 | HOPPER DUMP DOOR PIN |
| LS650238 | LH ROAD SHOE ASSEMBLY |
| LS650239 | RH ROAD SHOE ASSEMBLY |
| LS6502466 | CONVEYOR FLOOR LOWER PLATE |
| LS6502467 | CONVEYOR FLOOR UPPER PLATE |
| LS6502477 | CONVEYOR FLOOR JOINT |
| LS6502478 | ELEVATOR FLIGHT CLAMP |
| LS6502496 | MAIN BROOM CROSS BAR |
| LS650253 | MAIN BROOM COVER ASSEMBLY |
| LS6502547 | RETAINER PLATE |
| LS650258 | DIRT DEFLECTOR ASSEMBLY |
| LS650258W | DEFLECTOR WELDMENT |
| LS6502634 | DRAG SHOE ARM PIN |
| LS6502677 | DRAPE SHAFT |
| LS6502685 | UPPER HOPPER INLET CLAMP |
| LS650271 | HOPPER SAFETY PROP |
| LS6502772 | HOPPER CORNER GUARD |
| LS6502773 | CONVEYOR LOWER BEARING COVER |

SCHWARZE

| | |
|-------------|---------------------------------|
| LS6502820 | MAIN BROOM COUPLER GUARD |
| LS6502845 | BROOM PIN WASHER |
| LS6502880 | CONVEYOR SPRAYBAR BRACKET |
| LS6502882 | RH LOWER CONVEYOR SHROUD |
| LS6502883 | LH LOWER CONVEYOR SHROUD |
| LS6502945 | LOWER CONV. RUBBER BACKING |
| LS650295 | ELEVATOR CHAIN COVER |
| LS650318 | H.P. SPRAYBAR FRONT |
| LS650320 | G.BROOM MOTOR PIVOT END CAP |
| LS650322 | HIGH PRESSURE SPRAY TIP |
| LS6503208 | CONVEYOR MOTOR MOUNT SPACER |
| LS6503210 | CONVEYOR MOTOR MOUNT WASHER |
| LS6503231 | UPPER FLOOR, 1/4" |
| LS6503232 | LOWER FLOOR, 1/4" |
| LS6503253 | REAR DRAPE ROD ADJUSTER PLATE |
| LS650335 | SLIDE PAD ASSEMBLY |
| LS650342 | LOWER SHAFT WELDMENT |
| LS650352 | DIRT DEFLECTOR MAIN BROOM |
| LS650355 | RH FENDER WELDMENT |
| LS650357 | ELEVATOR PIVOT WELDMENT |
| LS650402 | LH M.BROOM COVER END PLATE |
| LS650403 | RH M.BROOM COVER END PLATE |
| LS650414 | OFFSET CHAIN PLATE |
| LS650427 | LH WELDMENT FENDER |
| LS650456 | FLIGHT ANGLE |
| LS650457 | M6000 ELEVATOR FRAME WELD. |
| LS650457YAW | DRAPE BAR WELDMENT |
| LS650463 | G.B. AIR CYL. LOWER MOUNT BRKT. |
| LS650468 | RH GUTTER BROOM BASE WELD. |
| LS650471 | RH GUTTER BROOM HEAD MOUNT |
| LS650473 | LH GUTTER BROOM BASE WELD. |
| LS650475 | LH GUTTER BROOM HEAD MOUNT |
| LS650477 | FLIGHT ANGLE WELDMENT |
| LS650797 | DRAG SHOE ARM WELD, M6AV |
| LS650798 | MAIN BROOM SKIRT SUPPORT ARM |
| LS650817 | M6 AVALANCHE HOPPER DOOR |
| LS650825 | CONVEYOR FLIGHT WELDMENT |
| LS650828 | CONV. DRAPE BRACKET WELD., 50" |
| LS650840 | MAIN BROOM TORQUE ARM WELD. |
| LS650841 | LH MAIN BROOM ARM WELDMENT |
| LS650842 | RH MAIN BROOM ARM WELDMENT |
| LS650956 | WELD, DRAG SHOE, LH BELT |
| LS650957 | WELD, DRAG SHOE, RH BELT |
| LS650972 | HOPPER SEAL BRACKET WELD. |
| LS651003 | RH ROLLER PLATE WELDMENT |
| LS651004 | LH ROLLER PLATE WELDMENT |
| LS651043 | LH DRAG SHOE WELD/SHORT PYRAM |
| LS651044 | RH DRAG SHOE WELD/SHORT PYRAM |
| LS651049 | REAR DRAPE ROD ADJUSTER |
| LS65597 | HD EYEBOLT, 1/2 X 6" T3" |
| LS65621 | MAIN BROOM HYDRAULIC MOTOR |
| LS65622 | ELEVATOR HYDRAULIC MOTOR |
| LS65623 | CONVEYOR HYDRAULIC MOTOR |
| LS65977 | CINCH STRAP, 20" BUCKLE |
| LS66083 | FILTER HSG./SCREEN, 1" WATER |
| LS66665 | CURTAIN SET |

LACAL HAS MANY MORE ITEMS AVAILABLE – JUST ASK!



SCHWARZE

| | |
|--------------------|------------------------------|
| LS7000ADJKIT | 7000 ADJ. BLAST ORIFICE |
| LS7000STD | 7000 STD. HEAD KIT |
| LS7000STD1 | A7000 STD. HEAD KIT |
| LS7000STD1ASSY | A7000 STD. HEAD ASSEMBLY |
| LSA4000 | A4000 PICKUP ASSEMBLY |
| LSA40001 | A4000 PICKUP ASSY., NO HOSE |
| LSM50001 | MINI KIT |
| LSM5000MAXIKIT | M5000 MAXI KIT |
| LSM5000MINIKIT | M5000 MINI KIT |
| LSM6000MAXIKIT1 | M6000 ELEVATOR KIT |
| LSP807076 | ROLLER CHAIN |
| LSPUHS348I | S347i/S348i PICKUP HEAD KIT |
| LSSA115L | LH ADJUSTMENT BRACKET |
| LSSA115R | RH ADJUSTMENT BRACKET |
| LSSA1196L | TAPER-LOCK COUPLING ASSEMBLY |
| LSSA1621 | DRAPE ASSEMBLY |
| LSSA1622HD | DRAPE PAD |
| LSSA1623 | DRAPE HINGE |
| LSSA1631 | FLIGHT ANGLE |
| LSSA163C | FLIGHT ASSEMBLY |
| LSSA1711 | STRIP BRUSH HOLDER |
| LSSB5826M | POLYTUBE BROOM, 58" |
| LSSCHM4000 | SCHWARZE MINI KIT |
| LSSCHM5ELASSEMBLYU | M5000 ELEV. ASSY |
| LSSCHM5ELASSY | M5000 COMPLETE ELEV. ASSY |
| LSSK1434 | PICKUP HEAD SPRAY WATER KIT |

STEWART-AMOS

| | |
|-------------|---|
| LS32133 | SHORT MANDREL SHAFT |
| LS32134 | STUB SHAFT, 1-3/4" |
| LS3243 | HYDRAULIC MOTOR |
| LS3243LAC | HYD. MOTOR, HIGH PRESSURE SHAFT SEAL, NO CASE DRAIN |
| LS41201 | LH GUTTER BROOM MOUNT |
| LS41203 | LH GUTTER BROOM PIVOT |
| LS41205 | LH LINKAGE MOUNT |
| LS41207 | LH MOTOR BRACKET |
| LS41209 | DRIVE HUB |
| LS41211 | PIN |
| LS41213 | PIN |
| LS41215 | SPRING BELL CRANK |
| LS41221 | LINK |
| LS41230 | EXTEND SPRING MOUNT |
| LS41316 | RH LINKAGE MOUNT |
| LS41401 | PIN |
| LS41405 | LH LIFT BELL CRANK |
| LS41407 | RH LIFT BELL CRANK |
| LS41411 | RH MAIN BROOM LIFT ARM |
| LS41413 | MAIN BROOM ROCK SHAFT |
| LS41415 | PRES. CONTROL ROCK SHAFT |
| LS41417 | LIFT PIN |
| LS41421 | MAIN BROOM LIFT STRAP |
| LS41423 | LH PRESSURE CONTROL ARM |
| LS41425 | RH PRESSURE CONTROL ARM |
| LS41429 | DRAG LINK |
| LS41431 | BACKING PLATE |
| LS41433 | LH DIRT SHOE PLATE |
| LS41435 | RH DIRT SHOE PLATE |
| LS41437 | DRAG SHOE LIFT CHAIN |
| LS41441 | CONVEYOR PIN |
| LS414411C | MAIN BROOM ARM TUBE |
| LS41503 | LH/RH REAR CANOPY FRONT DOOR |
| LS41612 | LH REAR COVER BACK DOOR |
| LS41710 | HOLD DOWN |
| LS41726 | RUBBER FLIGHT |
| LS41728 | FLIGHT ANGLE |
| LS41728ASSY | FLIGHT ASSEMBLY |
| LS41738 | SHAFT SPACER |
| LS41740 | LOCK PLATE |
| LS41744 | END STRAP |
| LS41764 | CONVEYOR SWIVEL SHAFT |
| LS41766 | CONVEYOR LIFT ARM |

STEWART-AMOS

| | |
|---------|--------------------------------|
| LS41768 | PIVOT SHAFT MOUNT |
| LS41770 | CONVEYOR LIFT STRAP |
| LS41771 | RESTTUBE |
| LS41772 | BOTTOM RUBBER |
| LS41776 | RUBBER SEAL |
| LS42067 | RUBBER DIRT DEFLECTOR |
| LS42132 | HOPPER SAFETY MOUNT |
| LS42201 | SPRAY BAR |
| LS42901 | HOPPER |
| LS42907 | HOPPER DOOR |
| LS42909 | PIN |
| LS42915 | RUBBER FLASHING |
| LS42917 | UPRIGHT FLASHING |
| LS43103 | ELEVATOR FRAME W/LINERS |
| LS43105 | BOTTOM LINER |
| LS43107 | SEPARATOR |
| LS43109 | LOWER SHAFT |
| LS43111 | TOP LINER |
| LS43113 | UPPER SHAFT |
| LS43115 | CONVEYOR SPACER |
| LS43121 | CANOPY |
| LS43123 | CONVEYOR GUIDE |
| LS43125 | SLIDE |
| LS43127 | CONVEYOR ADJUSTMENT ANGLE |
| LS43129 | ELEVATOR CENTER RING BUSHING |
| LS43131 | CANOPY EXTENSION |
| LS43133 | BUSHING |
| LS43134 | CONVEYOR CHAIN GUARD |
| LS61201 | LH GUTTER BROOM MOUNT |
| LS61203 | LH GUTTER BROOM PIVOT |
| LS61213 | PIN WELDMENT |
| LS61235 | LH RETRACT PLATE |
| LS61301 | RH GUTTER BROOM MOUNT |
| LS61303 | RH GUTTER BROOM PIVOT |
| LS61309 | RH RETRACT PLATE |
| LS62907 | ACCESS DOOR |
| LS80129 | MAIN BROOM COUPLER |
| LS80141 | ELEVATOR CHAIN |
| LS9194 | BUSHING, 1-1/4" SHAFT |
| LSS1185 | BUSHING, NOM. 1-1/4" X 1" X 1" |

PART NOT LISTED? WE HAVE HUNDREDS OF ADDITIONAL PARTS AVAILABLE FOR YOUR MACHINE. CALL 800.543-6161 TODAY!

BEFORE BUYING ELSEWHERE, GET AN ABSOLUTELY FREE QUOTE FROM LACAL!

ALL PARTS ARE GUARANTEED TO MEET WITH YOUR APPROVAL. Local Equipment, Inc. offers after-market parts for road and highway maintenance equipment. All original equipment manufacturer's names, drawings, colors and part numbers are used for identification purposes only. Local is in no way implying that any of our products are original equipment parts.

CONTACT US TODAY VIA PHONE 800.543.6161 or EMAIL SALES@LACAL.COM

ALL PARTS ARE GUARANTEED TO MEET WITH YOUR APPROVAL. Local Equipment, Inc. offers after-market parts for road and highway maintenance equipment. All original equipment manufacturer's names, drawings, colors and part numbers are used for identification purposes only. Local is in no way implying that any of our products are original equipment parts.

THESE ARE JUST SOME OF OUR MOST REQUESTED PRODUCTS...

SWEEPRITE

| | |
|---------------|----------------------------|
| 620-0050 | HYDRAULIC MOTOR |
| LB440 | STRIP BROOM SET, 40" |
| LS01050200018 | REAR BROOM LIFT ARM |
| LS1000342 | GUTTER BROOM DR PLATE |
| LS1001981 | MAIN BROOM ARM PIN |
| LS5102751 | BUSHING |
| LS5110261 | BIMETAL BUSHING |
| LS5110533 | DIRT DEFLECTOR |
| LS5111522 | CONVEYOR BELT |
| LS6200936W | CONVEYOR DRIVE TOOTH |
| LS6200937 | CONVEYOR DRIVE TOOTH |
| LS6203203 | CONVEYOR SKIRT BRD. RUBBER |
| LS6203272 | DIRT DEFLECTOR |
| LS6203468 | CONVEYOR BELT |
| LS6206825 | MAIN BROOM ARM PIN |
| LSG451100 | MAIN BROOM ARM PIN |
| LSG451700SP | FIBER GUARD |
| LSG453600SP | LH STUB SHAFT |
| LSG453700SP | RH STUB SHAFT |
| LSH1511 | BACK SKIRT RUBBER |
| LSH2002A | RETAINER BAR |
| LSH2003 | SQUEEGEE |
| LSH251000 | ELEVATOR CHAIN |
| LSH400100 | CENTER DRAG WELDMENT |
| LSH4517 | DRAG SHOE RUBBER INSERT |
| LSH451800 | MAIN BROOM DRAG LINK |

TENNANT

| | |
|-------------|------------------------------|
| LS1009483 | BRUSH SKIRT |
| LS12962TENN | FILTER |
| LS2457 | REAR SQUEEGEE BLADE KIT |
| LS2460 | SIDE SQUEEGEE BLADE KIT |
| LS394279 | SHIELD DRAG STRIP |
| LS394280 | RETAINER STRIP |
| LS394302 | FLAT SCREW |
| LS394307 | DRAG SHOE BAR |
| LS395100F | LH DIRT SHOE, FABRICATED |
| LS395100FHS | LH DIRT SHOE, HARDSURFACE |
| LS395101F | RH DIRT SHOE, FABRICATED |
| LS395101FHS | RH DIRT SHOE, HARDSURFACE |
| LS395106 | RETAINER STRIP |
| LS395535 | SKIRT HINGE PLATE |
| LS395536 | HINGE BAR |
| LS395761 | DUST FRONT SKIRT |
| LS395938 | LH ACCESS PANEL |
| LS396297 | POLY TUBE BROOM, 68" |
| LS396428 | MOUNTING BRACKET SKIRT |
| LS396497 | BELT SPLICE STRIP |
| LS46077 | WEAR PLATE |
| LS46080 | BACKING |
| LS48060 | RUBBER LIP STRIP |
| LS51021N | NYLON SIDE BRUSH, 18" |
| LS53137 | SKIRT |
| LS760749 | FLIGHT RUBBER |
| LS760785 | SEAL, BULB, STR |
| LS760786 | SEAL, BULB, STR |
| LS761126 | SENTINEL 830 POLY TUBE BROOM |
| LS761211 | 830 POLY/WIRE GUTTER BROOM |

TYMCO

| | |
|-----------|-------------------------------------|
| LS10107 | SCREW, 10-24 X 1/2, P.P.H., TAPTITE |
| LS10159 | SLOTTED SCREW, HWH |
| LS10163 | ZINC ROD END |
| LS10165 | BOLT EYE |
| LS10224 | U-CLIP SPEED NUT |
| LS10234 | NUT, 1-1/2-18, SLOTTED JAM, PLAIN |
| LS10264 | NUT, HEX SLOTTED JAM, ZINC |
| LS10291 | HEX JAM NUT, BRASS |
| LS10302 | SEALING WASHER, 5/16" |
| LS10347 | FENDER WASHER, ZINC, 3/8 X 1-1/2 |
| LS1035937 | PVC PIPE, 1.50 X 2.38 |
| LS10361 | BRASS WASHER |
| LS10378 | WASHER, .531 X 1-3/4 |
| LS10405 | CLEVIS PIN, .75 X 2.25 OAL |
| LS10412 | PIN & CLEVIS |
| LS10434 | RUE RING LOCK COTTER-3/4" Z/P |
| LS10440 | CLEVIS PIN WITH HAIR PIN |
| LS10581 | RUBBER DOOR BUMPER |
| LS10589 | BLACK BUMPER WITH WASHER |
| LS10595 | HAND HOSE, 8" X 10-FT. X 5" |
| LS10597 | INSPECTION DOOR SEAL (PER FT.) |
| LS1072351 | SEAL CLAMP |
| LS10837 | BRASS FAN NOZZLE STRAINER |

LACAL REBUILDS STREET SWEEPERS

See pages 18-21 to discover what our Street Sweeper Rebuilding Service can do for you, then call **800.543.6161** for more info.

| | |
|-----------|------------------------------------|
| LS10838 | BRASS FAN NOZZLE CAP |
| LS10857 | BRASS SPRAY NOZZLE W/TIP |
| LS10881 | BRASS SPRAY TIP |
| LS11001 | BEARING |
| LS11002 | BEARING |
| LS11017 | BEARING |
| LS11021 | FLANGE BUSHING |
| LS11101 | TAPER LOCK SHEAVE |
| LS11108 | TAPER LOCK BUSHING |
| LS11112 | TAPER LOCK SHEAVE |
| LS11118 | 2517 TAPER LOCK SHEAVE |
| LS11134 | TAPER LOCK BUSHING (QUIET PKG) |
| LS11137 | BUSHING, QD X 1-1/2 |
| LS11144 | DRIVE SHEAVE |
| LS11164 | TAPER LOCK DRIVE SHEAVE, 9.25 |
| LS11166 | TAPER LOCK SHEAVE, 8.0" |
| LS11201 | BANDED, COGGED V-BELT, 3 BANDS |
| LS11209 | HYDRAULIC PUMP V-BELT, COGGED |
| LS11212 | BANDED COGGED BELT, 3 BANDS, 85" |
| LS11216 | BANDED COGGED V-BELT, 3 BANDS |
| LS11220 | HI/LOW, WATER PUMP V-BELT, JD |
| LS11221 | BANDED COGGED V-BELT, 3 BANDS, 90" |
| LS1122187 | AIR CYLINDER |

TYMCO

| | |
|---------|--------------------------------------|
| LS11227 | BANDED COGGED V-BELT, 2 BANDS |
| LS11228 | BELT |
| LS11233 | BANDED COGGED V-BELT, 3 BANDS |
| LS11240 | 210/435 BELT, KUBOTA-2003MT |
| LS11241 | 210/435 BELT, KUBOTA, SRE |
| LS11302 | HD MUFFLER CLAMP, 2" |
| LS11304 | CLAMP, 12" HOSE |
| LS11305 | CLAMP, 14" HOSE |
| LS11312 | CLAMP, 6" HOSE, SS |
| LS11325 | LEAF BLEEDER/MAG. CLAMP SHIM |
| LS11340 | HD HOSE CLAMP |
| LS11342 | HOSE CLAMP, 10", ALL SS |
| LS11344 | HAND HOSE CLAMP |
| LS11348 | HD MUFFLER CLAMP |
| LS11349 | HYD. TUBE CLAMP ASSY., 2-PCS. |
| LS11351 | CLAMP- 8" QUICK COUPLER HAND HS |
| LS11353 | DIPPED CLAMP, 2" |
| LS11354 | HD CLAMP |
| LS11358 | HD MUFFLER CLAMP, 4-1/2 |
| LS11370 | HOSE CLAMP, 14-1/2" TO 17-7/16" |
| LS11589 | AMBER CLEARANCE LAMP |
| LS11590 | RED CLEARANCE LAMP |
| LS11747 | LIQUID LEVEL CONTROL MODULE |
| LS11748 | LIQUID LEVEL SENSOR |
| LS11844 | BYPASS COIL W/DEUTSCH |
| LS11890 | DUMP DOOR SWITCH, IN-CAB |
| LS12001 | HINGE PIN SET COLLAR |
| LS12036 | REFLECTOR RED |
| LS12041 | AIR VENT FITTING |
| LS12106 | IGNITION SWITCH |
| LS12107 | SEALED DUMP SWITCH |
| LS12191 | DUMP SWITCH |
| LS12281 | SWIVEL EYE PULLEY |
| LS12282 | S-HOOK |
| LS12295 | BALL JOINT END |
| LS12334 | TACKY TAPE, 3/32" X 1/2" |
| LS12356 | SIGHT GAUGE, HYDRAULIC TANK W/THERM. |
| LS12362 | CYLINDER CLEVIS |
| LS12415 | SEAL ADHESIVE |
| LS12467 | CYLINDER O-RING |
| LS12468 | CYLINDER BACK-UP RING |
| LS12469 | DISCHARGE MANIFOLD, CAT 290 |
| LS12549 | MUFFLER |
| LS12551 | EXHAUST RAIN CAP |
| LS12589 | LOCK VALVE |
| LS12592 | LOCK VALVE COIL, 12VDC |
| LS12734 | FILTER ELEMENT (ONE FILTER) |
| LS12753 | PRIMARY FILTER |
| LS12754 | SAFETY FILTER |
| LS12771 | BLOWER CAULK |
| LS12777 | TOOL BOX DOOR LATCH W/O LOCK |
| LS12778 | LATCH SEALED LEVER W/ LOCK |
| LS12899 | U VEEJET NOZZLE, 1-1/4", 15-DEG. |
| LS12901 | U VEEJET NOZZLE, 1-1/4", 50-DEG. |
| LS12905 | SUCTION INLET LINER |
| LS12908 | PVC SPIRALJET NOZZLE, 3/4", 170-DEG. |

LACAL HAS MANY MORE ITEMS AVAILABLE – JUST ASK!



TYMCO

| | |
|----------------|-------------------------------------|
| LS12910 | G.BROOM LOCK VALVE ASSEMBLY |
| LS12912 | G.BROOM LOCK VALVE COIL |
| LS12915 | G.BROOM FLOW CONTROL VALVE |
| LS12920 | G.BROOM LOCK VALVE CARTRIDGE |
| LS12921 | G.BROOM COIL, NUT ONLY |
| LS12941 | NYLON COATED LANYARD, 6" |
| LS12955 | GAS SPRING-GULL WING DOOR |
| LS12962 | SINGLE VALVE ASSEMBLY |
| LS12972 | EXTERNAL LOCK VALVE W/DEUTCH |
| LS13170 | PICKUP HEAD SWITCH |
| LS20520 | HD SUCTION HOSE, 10" X 20" X 3" |
| LS20533 | HOPPER WALL LINER, 24" X 40" |
| LS20577 | SANDWICH FLEXBOLT |
| LS20809 | BRASS TIP |
| LS20810 | DOUBLE FAN NOZZLE W/ TIPS |
| LS20811 | FAN NOZZLE W/11002 TIP |
| LS20859 | BRASS WHIRLJET NOZZLE |
| LS21425 | MULTI ALARM IV MODULE |
| LS21427 | OIL PRESSURE SWITCH |
| LS22088 | T MOTOR HP SEAL KIT |
| LS22153 | PADDLE HANDLE LATCH W/LOCK |
| LS22157 | BLOWER DRIVE COVER, 500X/210H |
| LS22158 | BLOWER DRIVE COVER, 500X/210H |
| LS22179 | HYD. SYS. LEVEL & TEMP SWITCH |
| LS22330 | ANTI-V1BE PAD, 2.5" X 5/8-11 |
| LS22419 | OIL PRESSURE SENDING UNIT |
| LS22502 | SOLENOID VALVE, 1/4" FPT, 125 PSI |
| LS30112 | GUTTER BROOM HUB STUD |
| LS30826 | FITTING, 1/4" NPT WALL MOUNT NOZZLE |
| LS500022501297 | SEPARATOR/BLOWER ASSY |
| LS500022KIT | SEPARATOR KIT |
| LS500024 | HOPPER DOOR |
| LS500029 | CLEVIS MOUNT LINK |
| LS500031 | DOOR/PICKUP HEAD CYLINDER |
| LS500033 | TRANSITION |
| LS500037 | LH UPSTOP |
| LS500039 | SUCTION INLET WELDMENT |
| LS500045 | 210 HOPPER SCREEN |
| LS500050 | RH UPSTOP |
| LS500056 | 210 DIRT HOPPER |
| LS500063 | DUMP CYLINDER |
| LS500101 | CROSS TO REAR SIDE NOZZLE HOSE |
| LS500116 | LIFT CHAIN ASSEMBLY |

TYMCO

| | |
|-------------|---------------------------------|
| LS500142 | 210 DUMP DOOR SEAL |
| LS500157 | 600 PICKUP HEAD DRAG LINK |
| LS500161 | 210 PICKUP HEAD DRAG LINK |
| LS500164 | STD HOPPER SCREEN WELDMENT |
| LS500168 | INSPECTION DOOR |
| LS500172 | 600 RAKER PLATE WELDMENT |
| LS500191 | HOSE ASSY, 1/4" X 18" HYD |
| LS500212 | HOSE ASSY, 1/4" X 34" HYD |
| LS500235 | 600 BLOWER ASSEMBLY |
| LS500275 | LH G.BROOM MOUNTING WELD. |
| LS500276 | RH G.BROOM MOUNTING WELD. |
| LS500320 | IMPELLER SHAFT |
| LS500336 | LH WATER HOSE ASSY., 1/4", 25" |
| LS500338 | RH WATER HOSE ASSY., 1/4", 62" |
| LS500360 | HOPPER TRANSITION SEAL |
| LS500362 | INSPECTION DOOR SEAL, 7-FT. |
| LS500386 | WATER TANK STRAP |
| LS500443 | 300/350 DUMP DOOR WELDMENT |
| LS500452 | SEPARATOR SEAL |
| LS500453 | HOPPER TRANSITION SEAL |
| LS500464 | CURTAIN SET W/HARDWARE |
| LS500506 | FASTENER KIT |
| LS500506BAH | 600 BAH CURTAINS FASTENER KIT |
| LS500508 | BEARING SPACER KIT |
| LS500607 | HAND HOSE DOOR WELDMENT |
| LS500619 | CURTAIN SET W/HARDWARE |
| LS500620 | CURTAIN SET W/HARDWARE |
| LS500677A | 210 FENDER, NEW STYLE |
| LS500677S | 210 FENDER, EARLY STYLE |
| LS500712 | BLOWER HOUSING COVER |
| LS500764 | 600 BLOWER HUB/BEARING ASSY. |
| LS500765 | PLAIN BLOWER KIT, UNASSEMBLED |
| LS500765A | PLAIN BLOWER KIT, ASSEMBLED |
| LS500780 | TRANSITION & SEAL ASSEMBLY |
| LS500781 | SEAL & DUMP DOOR ASSEMBLY |
| LS500782 | SEAL/SEPARATOR |
| LS500785 | SHEAVE/BUSHING-BLOWER DRIVE |
| LS500787 | POLY WAFER OPTION ASSEMBLY |
| LS500793 | FAN HOUSING COVER |
| LS500794 | TRANSITION W/SEAL, NO LEAF DOOR |
| LS500795 | TRANSITION W/LEAF DOOR & SEAL |
| LS500797 | SHEAVE ASSEMBLY W/BUSHING |
| LS500798 | SHEAVE & BUSHING-HYD. PUMP DR. |
| LS500860 | DUMP DOOR HINGE WELDMENT |

TYMCO

| | |
|-----------------|----------------------------------|
| LS500862 | CHAIN, 1/4" X 11 LINKS |
| LS500895 | TRANSITION W/LEAF DOOR, NO SEAL |
| LS500896 | TRANSITION, NO LEAF DOOR OR SEAL |
| LS500902 | DUMP DOOR SEAL |
| LS5010062 | SEPARATOR MOUNT RAILS |
| LS5010075 | IMPELLER SHAFT |
| LS5010095-TYMCO | G.BROOM TOP DISC, POLY |
| LS5010128 | 210 LIFT ARM BEARING BLOCK |
| LS501013179 | SUCTION BAFFLE |
| LS5010149 | ADJ. SUCTION TRANSITION PLATE |
| LS5010150 | HINGE PIN |
| LS501016 | DUMP DOOR KIT |
| LS5010180 | 210 SEPARATOR BELT-SEAL |
| LS5010181 | BELT SEAL SEP. TOP CLAMP |
| LS5010196 | G.BROOM YOKE CYLINDER FLANGE |
| LS501020 | 600 CURTAIN SET W/HARDWARE |
| LS5010206 | 210 UNCOATED 5-FIN IMPELLER |
| LS5010220 | BLAST ORIFICE CURTAIN |
| LS5010221 | REAR CURTAIN |
| LS5010222 | SUCTION BAFFLE |
| LS5010226 | REAR EXTENSION SPRING LINKS |
| LS5010228 | G.B. JOURNAL/BRG. KIT CYLINDER |
| LS5010229 | JOURNAL/BEARING KIT |
| LS5010230 | ROD END BEARING |
| LS5010232 | PICKUP HEAD/G.BROOM SPRING |
| LS5010246 | BLOWER COVER SEAL, 100" |
| LS5010265 | LH SKID SHOE |
| LS5010266 | RH SKID SHOE |
| LS5010378 | HOSE, 12" X 30", NO CUFFS |
| LS501057 | SPLINED FLEX COUPLING - JD |
| LS5010584 | BLAST ORIFICE CURTAIN |
| LS5010588 | REAR CURTAIN |
| LS5010616 | SMALL INSPECTION DOOR CAM |
| LS5010617 | INSPECTION DOOR LATCH |
| LS5010634 | RAKER PLATE LINK |
| LS5010666 | CLAMP |
| LS5010727 | SEPARATOR INLET SCROLL |
| LS501076 | PUMP ELECT. HYD. W/HARDWARE |
| LS5010785 | SEPARATOR LINER |
| LS5010817 | FRONT CURTAIN LIGHT |
| LS5010818 | FRONT CURTAIN HEAVY |
| LS5010819 | REAR CURTAIN |
| LS5010820 | BLAST ORIFICE CURTAIN |
| LS5010821 | HOSE, 6" X 10-FT., NO CUFFS |

BEFORE BUYING ELSEWHERE, GET AN ABSOLUTELY FREE QUOTE FROM LACAL!

ALL PARTS ARE GUARANTEED TO MEET WITH YOUR APPROVAL. Local Equipment, Inc. offers after-market parts for road and highway maintenance equipment. All original equipment manufacturer's names, drawings, colors and part numbers are used for identification purposes only. Local is in no way implying that any of our products are original equipment parts.

CONTACT US TODAY VIA PHONE 800.543.6161 or EMAIL SALES@LACAL.COM

ALL PARTS ARE GUARANTEED TO MEET WITH YOUR APPROVAL. Local Equipment, Inc. offers after-market parts for road and highway maintenance equipment. All original equipment manufacturer's names, drawings, colors and part numbers are used for identification purposes only. Local is in no way implying that any of our products are original equipment parts.

THESE ARE JUST SOME OF OUR MOST REQUESTED PRODUCTS...

| | |
|-------------|---------------------------------|
| LS5010832 | SUCTION BAFFLE |
| LS5010833 | FR. CURTAIN RUBBER RETAINER |
| LS501083728 | HOSE, 14" X 28", NO CUFFS |
| LS501083736 | HOSE, 14" X 36", NO CUFFS |
| LS5010839 | PICK-UP HEAD SPRING, ZINC |
| LS5010840 | PICKUP HEAD SPRING |
| LS5010841 | CHAIN, 1/4" X 10 LINKS |
| LS5010878 | INSPECTION DOOR KEEPER |
| LS5010933 | 600 UNCOATED IMPELLER, 6-FIN |
| LS5010936 | IMPELLER BEARING HOUSING |
| LS5010937 | BLOWER HOUSING SEAL |
| LS5010952 | GUTTER BROOM FLANGE YOKE |
| LS5010958 | RAKER LINK BUSHING |
| LS5010960 | GUTTER BROOM SPRING |
| LS5010973 | LEAF BLEEDER CABLE, 108" |
| LS5011012 | P.T.O. SHAFT |
| LS5011023 | VANE |
| LS5011024 | VANE |
| LS5011025 | VANE |
| LS5011026 | VANE |
| LS5011143 | FRONT LIGHT CURTAIN |
| LS5011144 | FRONT HEAVY CURTAIN |
| LS5011165 | 210 UNCOATED IMPELLER, 6-FIN |
| LS5011376 | CENTER CURTAIN |
| LS5011380 | RETAINER PLATE |
| LS5011381 | BLOWER SHAFT FELT SEAL |
| LS501150 | SUCTION NOZZLE LINER KIT |
| LS5011562 | DOOR HAND HOSE LATCH, 210/300 |
| LS5011571 | RUBBER COATED SEPARATOR DOOR |
| LS5011572 | SEPARATOR DOOR HINGE |
| LS5011573 | INNER HINGE |
| LS5011574 | CENTER SCREEN MOUNT |
| LS5011625 | 600 COATED IMPELLER, 6-FIN |
| LS5011626 | 210 COATED IMPELLER, 6-FIN |
| LS5011627 | 210 COATED IMPELLER, 5-FIN |
| LS501163 | GUTTER BROOM CYLINDER |
| LS5011631 | HAND HOSE COVER PLATE |
| LS501164 | PICKUP HEAD CYLINDER |
| LS5011668 | CHAIN, 24 LINKS |
| LS5011671 | SUCTION HOSE, 14" X 36" X 3" |
| LS5011699 | HYD. PUMP SHEAVE, 2-GROOVE |
| LS5011857 | MAGNETIC SWITCH RELAY |
| LS5011922 | HD HOSE CLAMP |
| LS5012050 | CONE-INLET BLOWER |
| LS5012179 | SPACER DOOR ARM LINK |
| LS5012255 | 600 SUCTION HEAD TUBE |
| LS5012262 | SUCTION BAFFLE |
| LS5012264 | LH HOPPER 600 SCREEN FILLER |
| LS5012361 | WELD-ON BRACKET |
| LS5012494 | RH 600 HOPPER CYL. PIN RETAINER |
| LS5012495 | LH 600 HOPPER CYL. PIN RETAINER |
| LS5012496 | RUBBER LIP BLOWER SCROLL |
| LS5012504 | GUTTER BROOM NUT COVER |
| LS5012584 | GUTTER BROOM HUB |
| LS5012624 | HAND HOSE, 6" DIA. X 12-FT. |
| LS5012665 | CHAIN, 1/4" X 9 LINKS |
| LS5012666 | CHAIN, 1/4" X 16 LINKS |
| LS5012761 | 600 SUCTION NOZZLE LINER |

| | |
|-----------|----------------------------------|
| LS5012771 | G.B., P.U.H. CYLINDER SEAL KIT |
| LS5012801 | HOSE, 12" X 30" WITH 3" CUFFS |
| LS5012807 | THROTTLE CABLE, 120" |
| LS501281 | HOPPER MILLING SCREEN |
| LS501281F | WIRE SCREEN |
| LS5012824 | CHAIN, 1/4" X 4 LINKS |
| LS5012827 | REAR SCREEN SUPPORT |
| LS5012830 | BLOWER HOUSING LINER |
| LS501287 | 210 BLOWER HOUSING, 5-FIN |
| LS501288 | TRANSITION W/O LEAF DOOR |
| LS501288B | CYLINDER |
| LS5012903 | HYDRAULIC RESERVOIR GASKET |
| LS5012914 | HOPPER DRAIN HOSE, 4" DIA. X 36" |
| LS5012926 | KEY SWITCH KIT STD.- KUBOTA |
| LS5012965 | SPRING ATTACHMENT PLATE |
| LS501297 | 210 BLOWER ASSEMBLY |
| LS5013001 | HOPPER DRAIN SCREEN PLATE |
| LS5013012 | RH HOPPER DRAIN END PIECE |
| LS5013013 | LH HOPPER DRAIN END PIECE |
| LS5013022 | BLOWER LINER, EARLY 210 |
| LS5013035 | BLOWER LINER, LATE 210 |
| LS5013037 | HD PRESSURE TUBE SEAL, 10-FT. |
| LS501304 | 600 DUMP DOOR DRAIN ASSY. |

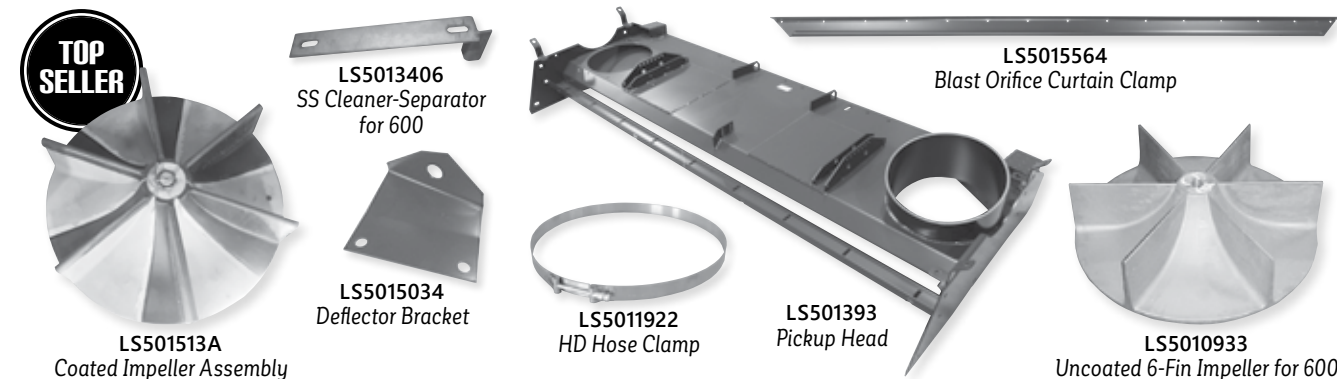
EXPERIENCE THE LACAL DIFFERENCE

Since 1982, we have distinguished ourselves from the competition by providing reliable parts and great service at affordable prices.

| | |
|-----------|-------------------------------|
| LS501306 | HOPPER DRAIN HOSE MTG. WELD. |
| LS501307 | HOPPER DRAIN SCREEN WELD. |
| LS5013084 | HAND HOSE TUBE KNOB |
| LS5013085 | BLOWER HOUSING BRACE |
| LS5013091 | 210 PIN-BALL JOINT BOOM |
| LS5013092 | GUTTER BROOM SOCKET-SPACER |
| LS5013129 | HAND HOSE STRAP, 32" |
| LS5013140 | CURTAIN RETAINING ANGLE |
| LS5013146 | HOSE |
| LS5013167 | 210 BOTTOM DISC-CLAMP |
| LS5013169 | 600 CABLE ACCEL |
| LS5013179 | SUCTION BAFFLE CURTAIN, 5/16" |
| LS5013181 | MOUNT |
| LS5013190 | JD EXHAUST CLAMP (HALF SET) |
| LS5013193 | HOPPER SPRAY NOZZLE, .093" |
| LS5013197 | SEAL KIT |
| LS5013198 | SEAL KIT |
| LS5013201 | SHAFT COUPLING |
| LS5013231 | BRAKE CABLE |
| LS5013281 | 210 CONTROL PANEL, FINISHED |
| LS501329 | 210 MAIN HARNESS, KUBOTA |
| LS5013294 | FRONT CURTAIN CHANNEL |
| LS5013307 | MOUNTING UPSTOP ANGLE |
| LS5013363 | TURN & HAZARD SWITCH |

| | |
|------------|----------------------------------|
| LS5013368 | HORN CONTACT |
| LS5013372 | HORN RETAINER |
| LS5013378 | HSP EXTENSION STRUT, 10" |
| LS5013379 | HSP BLAST ORIFICE CURTAIN |
| LS5013382 | CURTAIN |
| LS501339 | WATER HOSE ASSY. 1/4 X 25" |
| LS5013406 | 600 CLEANER-SEPARATOR, SS |
| LS5013436 | 600 P.T.O. HOUSING, MACHINED |
| LS5013440 | RADIATOR J.D.4039, NON-TURBO |
| LS5013441 | UPPER HOSE-RADIATOR, JD4039D |
| LS5013458 | WIRE/HOSE REAR HOPPER GUARD |
| LS5013461 | SEAL-HAND HOSE DOOR FRAME |
| LS5013466 | HOSE W/YELLOW HELIX, 8" X 10-FT. |
| LS5013468 | TUBE, 8" X 52" |
| LS5013471 | HALF RING, BOOM 8" HAND HOSE |
| LS5013491 | CHAIN, 1/4" X 18 LINKS |
| LS5013521 | HOPPER DRAIN BRACKET |
| LS5013525 | HOPPER DRAIN HOSE 3" X 18" |
| LS5013553 | TOP G.BROOM DISC 210 STEEL |
| LS5013554 | HYD. FILTER MANIFOLD HEAD |
| LS501357 | 210 HYDRAULIC PUMP |
| LS5013579 | 210 THROTTLE CABLE, 192" |
| LS501358 | MOTOR |
| LS5013599 | 210 G.BROOM LOCKING-BOLT |
| LS501360 | 210 G.BROOM BOOM WELDMENT |
| LS5013625 | LOWER RADIATOR HOSE, JD4039D |
| LS5013691 | BYPASS VALVE CARTRIDGE |
| LS5013697 | DISC HUB |
| LS5013707 | GUTTER BROOM SPRING BRACKET |
| LS5013710 | CABLE |
| LS5013715 | COIL |
| LS5013720 | ELECTRIC SOLENOID VALVE COIL |
| LS5013728 | HYDRAULIC MOTOR SHAFT |
| LS5013730 | BEARING |
| LS5013745 | SKIMMER-LIP/CURTAIN MOUNT |
| LS5013767 | WATER PUMP FLANGE, CAT 290 |
| LS5013768 | CLUTCH MAGNET, MACHINED C290 6" |
| LS5013769 | BUSHING SPACER-CAT 290 W/PUMP |
| LS5013793 | WATERMAN VALVE STUD NUT |
| LS5013794 | WATERMAN VALVE STUD |
| LS5013796 | AIR CLEANER CUP ASSEMBLY |
| LS5013886 | CHAIN, 1/4" X 12 LINKS |
| LS5013909 | DRIVE SHEAVE |
| LS5013918 | BIDIRECTIONAL VALVE STRAP |
| LS501393 | PICKUP HEAD |
| LS5013932 | MANIFOLD |
| LS5013939 | CUP KIT |
| LS501393CL | LH END PLATE |
| LS501393H | SUCTION TUBE |
| LS501394 | BLAST ORIFICE |
| LS5013940 | SLEEVE & SEAL KIT |
| LS5013941 | VALVE KIT |
| LS5013942 | SHUT DOWN SOLENOID-ONLY |
| LS5013943 | RH END PLATE |
| LS5013944 | SKIMMER HOOD |
| LS5013945 | CLIP ANGLE |
| LS5013946 | CURTAIN |
| LS5013948 | CURTAIN |

LACAL HAS MANY MORE ITEMS AVAILABLE – JUST ASK!



| | |
|-----------|-------------------------------|
| LS5013959 | FLOATING END PLATE |
| LS5013960 | LH END PLATE |
| LS5013975 | OUTER BEARING/BUSHING |
| LS5013976 | TORQ MOTOR SEAL KIT |
| LS5013982 | HOSE CLAMP BRACKET |
| LS5013986 | SEPARATOR DOOR CATCH |
| LS501399 | 600 KIT SEPARATOR LINER ASSY. |
| LS5013991 | HANGER PLATE |
| LS5014056 | TANK FRAME MOUNTING ANGLE |
| LS5014088 | ROD THROTTLE LINK-JD/KUBOTA |
| LS5014089 | COUPLING-ACTUATOR JD/KUBOTA |
| LS5014092 | THROTTLE ACTUATOR, 2" STROKE |
| LS5014113 | LOCK/CHECK VALVE CARTRIDGE |
| LS5014127 | TRANSITION FLANGE |
| LS5014131 | STAND OFF-IH/MACK DS |
| LS5014160 | HORN BUTTON IH |
| LS5014239 | SKID PLATES SEAL, 1" X 38-FT. |
| LS5014240 | INLET SCROLL |
| LS5014244 | DUMP CYLINDER SEAL KIT |
| LS5014268 | WORK LIGHT |
| LS5014315 | ACTUATOR, 4" STROKE |
| LS5014316 | LATCH FOR URETHANE TRANS. |
| LS5014387 | CURTAIN |
| LS5014398 | G.B. SPRING MOUNTING BRACKET |
| LS5014399 | FUEL SENDING UNIT |
| LS5014405 | 210 REAR BUMPER-GMC/FORD |
| LS5014410 | BRAKE LIGHT - MOUNT BRACKET |
| LS5014434 | STROBE LIGHT GUARD |
| LS501445 | SUCTION TRANSITION WELDMENT |
| LS5014451 | DIAPHRAGM KIT W/PISTON |
| LS5014455 | CLIP ANGLE |
| LS5014456 | FRONT DEFLECTOR CURTAIN |
| LS5014457 | CURTAIN MOUNTING BRACKET |
| LS5014512 | MUD FLAP EXTENSION |
| LS501460 | BUTTON |
| LS5014605 | PLATE |
| LS5014609 | BLAST ORIFICE CURTAIN CLAMP |
| LS5014610 | CURTAIN |
| LS5014611 | BAH MOTOR HUB |
| LS5014616 | LH GASKET PLATE, BAH |
| LS5014617 | RH GASKET PLATE, BAH |
| LS5014618 | LH ARM GASKET, BAH |
| LS5014619 | RH ARM GASKET, BAH |
| LS5014623 | MOTOR END WASHER |

| | |
|-------------|----------------------------------|
| LS5014631 | REAR CURTAIN CLAMP, BAH |
| LS5014635 | CURTAIN |
| LS5014638 | PILLOW BLOCK, PAIR, BAH |
| LS5014642 | BROOM WIPER CURTAIN CLAMP |
| LS5014646 | HYD. HOSE BOLT-ON BRACKET, BAH |
| LS5014650 | SPINDLE |
| LS5014651 | 600 CONTROL ARM BUSHING, BAH |
| LS501467 | HOSE, 1" X 44" 10916 16RLB |
| LS501468 | HOSE ASSY, 1/4" X 140" HYD |
| LS5014697 | 210 G.BROOM HUB, TAPERED BORE |
| LS5014701 | TAPERED COUPLING SHAFT |
| LS5014708 | 120 TERMINAL BLOCK COVER |
| LS5014713 | GUTTER BROOM U-JOINT SHIM |
| LS5014752 | FRONT CURTAIN STIFFENER |
| LS5014893 | 12 VDC SOLENOID SWITCH |
| LS5014940 | 210 WATER TANK, POLY |
| LS5014951 | EXHAUST ELBOW, J.D. TURBO |
| LS5014956 | BOTTOM RADIATOR HOSE, J.D. TURBO |
| LS5015001 | PICKUP HEAD CURTAIN CLAMP |
| LS5015001SS | CURTAIN CLAMP, SS |
| LS5015031 | BAH BRONZE BEARING HUB |
| LS5015032 | RH DEFLECTOR BRACKET |
| LS5015033 | CENTER DEFLECTOR BRACKET |
| LS5015034 | LH DEFLECTOR BRACKET |
| LS5015035 | RH DEFLECTOR BRACKET |
| LS5015049 | HALF RING |
| LS5015065 | HOPPER DOOR SCREEN KEEPER |
| LS5015066 | AIR CLEANER CUP BAFFLE |
| LS5015081 | HUB |
| LS5015129 | THROTTLE MOUNTING BRACKET |
| LS501513 | COATED BLOWER KIT, UNASSEMBLED |
| LS501513A | 600 COATED IMPELLER ASSEMBLY |
| LS5015147 | HOPPER SCREEN BAFFLE CURTAIN |
| LS5015148 | HOPPER BAFFLE SCREEN MOUNT |
| LS5015150 | HEAD WEAR STRIP REAR SECTION |
| LS5015151 | WEAR PAD, BELOW PRESS. NOZZLE |
| LS5015185 | UPSTOP FOOT |
| LS5015188 | RH CONTROL ARM WEAR WASHER |
| LS5015213 | 600 STEP-CONV. CAB IH/FL70 |
| LS5015236 | TERMINAL BLOCK PLATE |
| LS5015278 | CABLE, 108" L.P.B W/SIL. BOOT |
| LS5015286 | FRONT WATER TANK, LLDPE R.F.U. |
| LS5015287 | REAR WATER TANK, LLDPE R.F.U. |
| LS5015295 | BLAST ORIFICE STIFFENER CLAMP |

| | |
|-------------|----------------------------------|
| LS5015295SS | BLAST ORIFICE CLAMP, SS |
| LS5015298 | TURN SWITCH ASSY. 98 CARGO |
| LS5015301 | LOWER CROSSMEMBER/RETAINER |
| LS5015308 | HOSE, 3/4" X 36" |
| LS5015309 | 600 ADAPTER PLATE-FILLER |
| LS5015310 | WATER HOSE, 1-1/4" X 7" |
| LS5015312 | HOSE, 2" X 12" |
| LS5015314 | ELEMENT FOR LS503130 STRAINER |
| LS5015315 | GASKET FOR LS503130 STRAINER |
| LS5015316 | BOWL FOR LS503130 STRAINER |
| LS5015317 | CLEAR VINYL TUBE, 1/2" X 20.50" |
| LS5015318 | LIQ. LEV. SW./PLUMBING GUARD |
| LS5015326 | PILLOW BLOCK STRAP |
| LS5015327 | 600 PLATE-VENT WATER TANK |
| LS501534 | PRESSURE CHAMBER WELDMENT |
| LS501536 | UPSTOP WELDMENT |
| LS5015365 | SUCTION HOSE |
| LS5015367 | ALIGNMENT PIN |
| LS501537 | DRAG LINK WELDMENT |
| LS5015378 | STRAINER ASSEMBLY MOUNT |
| LS5015401 | 600 WATER TANK HOLD DOWN |
| LS5015406 | WATER PRESS. SWITCH W/WIRES |
| LS5015431 | 600 RETAINER WATER TANK MOUNT |
| LS5015435 | REAR TANK PLATFORM, STD. HEAD 60 |
| LS5015475 | HOSE, 2" X 5" |
| LS5015476 | HOSE, 2" X 14" |
| LS5015477 | HOSE, 1-1/4" X 9" |
| LS5015479 | SUCTION INLET LINER |
| LS5015480 | SUCTION TRANSITION LINER, 2-PC. |
| LS5015481 | 210 HOPPER DEFLECTOR LINER |
| LS5015485 | CLAMP ANGLE-LOWER GATE LAN |
| LS5015488 | FRONT CURTAIN |
| LS5015491 | SHIFT CABLE L-TRK. W/CUM. ENG. |
| LS5015509 | WEAR STRIP |
| LS5015511 | 210 SUCTION NOZZLE HEAD LINER |
| LS5015513 | LINER-SUCTION TRANSITION |
| LS5015514 | 210 LOW PROFILE EXHAUST ELBOW |
| LS5015517 | PRESSURE BLEEDER CABLE, 144" |
| LS5015538 | BLOWER SHAFT |
| LS5015539 | MOTOR ONLY, 5-GPM, 12DC W/PUMP |
| LS5015555 | HOSE |
| LS5015563 | BLOWER HOUSING LIP, SS |
| LS5015564 | BLAST ORIFICE CURTAIN CLAMP |
| LS5015565 | HANDHOSE DOOR LATCH HANDLE |

BEFORE BUYING ELSEWHERE, GET AN ABSOLUTELY FREE QUOTE FROM LACAL!

ALL PARTS ARE GUARANTEED TO MEET WITH YOUR APPROVAL. Local Equipment, Inc. offers after-market parts for road and highway maintenance equipment. All original equipment manufacturer's names, drawings, colors and part numbers are used for identification purposes only. Local is in no way implying that any of our products are original equipment parts.

CONTACT US TODAY VIA PHONE 800.543.6161 or EMAIL SALES@LACAL.COM

ALL PARTS ARE GUARANTEED TO MEET WITH YOUR APPROVAL. Local Equipment, Inc. offers after-market parts for road and highway maintenance equipment. All original equipment manufacturer's names, drawings, colors and part numbers are used for identification purposes only. Local is in no way implying that any of our products are original equipment parts.

THESE ARE JUST SOME OF OUR MOST REQUESTED PRODUCTS...

| | |
|-----------|---|
| LS5015570 | RELIEF VALVE |
| LS5015571 | RELIEF VALVE, 55PSI PRE-SET |
| LS5015585 | 600 D.D./HYDRAULIC PUMP SWITCH PLATE |
| LS5015595 | RELIEF VALVE, 30PSI PRE-SET |
| LS5015622 | LATCH MOUNT-SCREEN SIDE |
| LS5015628 | 600 SWITCH GUARD, SS |
| LS5015712 | TOP PIVOT BRACKET |
| LS5015713 | PIVOT BROOM BRACKET |
| LS5015714 | 600 HOPPER HOSE PROTECTOR |
| LS501579 | CARBIDE SKID SHOE W/PLATE |
| LS501579B | MOUNTING PLATE |
| LS5015817 | MODEL PLATE |
| LS5015904 | THROTTLE CABLE BRACKET |
| LS5015924 | ACTUATOR BRACKET |
| LS5015933 | RETAINER-CYL. DUMP DOOR '95' |
| LS5015935 | DC SHUTTER SPINDLE END |
| LS5015939 | DST4 BLOWER HOUSING LINER |
| LS5015940 | 210 DC BLEEDER SHUTTER PLATE |
| LS5015943 | 210 DC AIR BLEEDER SEAL |
| LS5015944 | ACTUATOR ARM |
| LS5015960 | SPRING BOOM HANDHOSE REAR BRACKET |
| LS501597 | 210 DUMP PIN WELDMENT, Z.P. |
| LS5016063 | TOP G.BROOM DISC, SPUN 15-DEG. |
| LS5016076 | 600 WASHDOWN SWITCH PLATE |
| LS5016102 | DELUGE HOLE COVER SEAL |
| LS5016105 | HAND HOSE SEAL, 6" & 8" INSPECTION DOOR |
| LS5016106 | HAND HOSE SEAL |
| LS5016134 | CABLE, 183" (1995.5 ISUZU) |
| LS5016175 | DELUGE HOLE COVER PLATE |
| LS5016195 | DUMP DOOR SAFETY STOP |
| LS5016210 | CABOVER CABLE CLAMP |
| LS501624 | QD NOZZLE ADAPTER |
| LS501625 | ADPT. ASSEMBLY MALE END-8" HAND HOSE |
| LS501626 | ADPT. ASSEMBLY FEMALE END-8" HAND HOSE |
| LS501627 | REAR MOUNTING BRACKET |
| LS501628 | FRONT TILT BRACKET |
| LS501630 | RH GUTTER BROOM ARM WELD. |
| LS5016335 | HOPPER SPRAY NOZZLE, .063" |
| LS501634 | LH GUTTER BROOM ARM WELD. |
| LS5016372 | SPRING HANGER |
| LS501640 | FUEL PUMP |
| LS5016424 | WATER HOSE, 1"-3" |
| LS501650 | HOPPER DRAIN OUTLET WELD |
| LS5016507 | SPACER |
| LS501651 | HOPPER DRAIN WELD. SCREEN |
| LS5016525 | 8" CATCH BASIN NOTCHED ADAPTER |
| LS501653 | GUTTER BROOM MOTOR MOUNT |
| LS5016543 | SUCTION INLET LINER |
| LS501664 | 210 HOPPER DRAIN ASSEMBLY |
| LS5016659 | ACCESS COVER, BAH |
| LS5016680 | TOOL BOX DOOR HINGE, SS |
| LS5016681 | TOOL BOX LARGE DOOR, 96 |
| LS5016683 | TOOL BOX DOORSEAL KIT |
| LS501670 | 6-STATION, 4-VALVE ASSEMBLY |

| | |
|-----------|-------------------------------|
| LS5016703 | ACTUATOR SHORT ARM-HEAD |
| LS5016714 | ACCESS/HOPPER DRAIN SEAL |
| LS5016731 | AIR CLEANER BASE, ISUZU |
| LS5016788 | FITTING, BAH RETROFIT |
| LS5016796 | CHAIN, 1/4" X 2 LINKS |
| LS5016857 | LOWER RADIATOR HOSE |
| LS5016861 | AIR INTAKE TUBE |
| LS501687 | CYLINDER MOUNTING PLATE |
| LS5016916 | AIR CLEANER MOUNT |
| LS5016922 | EXTENSION EXHAUST MANIFOLD |
| LS5016923 | 210 PICKUP HEAD SPRING |
| LS5016931 | BEARING PLATE |
| LS5016933 | BEARING GUARD |
| LS5016934 | IMPELLER SHAFT |
| LS5016940 | TOOL BOX SMALL DOOR |
| LS5016944 | CABLE, 122" W/SIL. BOOT |
| LS5016945 | ACTUATOR COUPLING |
| LS5016986 | DROP DOWN REAR ACCESS DOOR |
| LS5016987 | REAR RUBBER BUMPER MOUNT |
| LS5016989 | CABLE MOUNT.-PRESSURE LID HSP |
| LS5017006 | VANE |
| LS5017007 | VANE |

WAIT... I DON'T SEE THE PART I NEED!

Call **800.543.6161** to access our entire inventory of parts. This catalog is only a portion of the quality replacement parts that Local Equipment offers!

| | |
|---------------|--|
| LS5017008 | VANE |
| LS5017097 | MOUNT CHANNEL, 4-NOZZLE |
| LS501711 | WATER FILL HOSE ASSEMBLY |
| LS5017144 | EXHAUST PIPE |
| LS5017153 | LENS |
| LS5017175 | 210 LEAF PRESS BLDR. WEAR PAD |
| LS5017207 | 600 SPLIT SCREEN TAB |
| LS5017208 | 600 SPLIT SCREEN LINK |
| LS501721 | TYMCO PICKUP HEAD KIT |
| LS501721ASSY | 600 PICKUP HEAD KIT ASSEMBLY |
| LS5017213 | PICKUP HEAD WATER SYSTEM KIT |
| LS5017214 | 600 PICKUP HEAD KIT, LESS HOSES |
| LS5017214ASSY | 600 PICKUP HEAD KIT, LESS HOSES, ASSEMBLED |
| LS5017220 | HOSE |
| LS5017256 | 210/435 COATED SRE IMPELLER |
| LS50172561 | COATED SRE IMPELLER ASSY. |
| LS5017278 | G.B. SPACER-600 STYLE ON 210 |
| LS5017279 | BRACKET -SPRING 600 STYLE G.B. 210 |
| LS5017328 | MOUNT BI-DIRECTIONAL VALVE 210 |
| LS5017329 | SKIMMER PLATE |
| LS5017330 | RUBBER COATED SKIMMER PLATE |
| LS5017332 | 210 SEPARATOR LINER |

| | |
|-------------|-------------------------------|
| LS5017333 | 210 SEPARATOR FILLER TAB |
| LS5017334 | UPPER FLAP SEAL CURTAIN |
| LS5017335 | LOWER FLAP SEAL CURTAIN |
| LS5017353 | HOSE, 8" I.D. X 36", DST |
| LS5017363 | EXHAUST PIPE |
| LS5017365 | HANGER |
| LS5017366 | HANGER |
| LS5017380 | HOSE, 1-1/2" X 46" TRANSFER |
| LS5017381 | LOWER CURTAIN CLAMP |
| LS5017382 | DUAL FRONT CURTAIN MOUNT |
| LS5017398 | FLAT CURTAIN CLAMP |
| LS5017399 | SS BLAST ORIFICE, BAH |
| LS5017410 | HOSE, 11.75" X 23" X 2" |
| LS5017450 | HYD. PUMP GUARD, KUBOTA |
| LS5017453 | MUFFLER MOUNT, JD4045NA |
| LS5017474 | TOP GUARD, HYD. PUMP, KUBOTA |
| LS5017481 | SS SCREEN, VACUUM MANIFOLD |
| LS5017489 | SHUTTER PLATE |
| LS5017490 | SKIMMER PLATE |
| LS5017498 | SKID PLATE SEAL, BAH-LH |
| LS5017499 | 350/600 PUH INLET SEAL |
| LS5017554 | BEARING, HOPPER PIVOT |
| LS5017555 | HOPPER HINGE SHAFT |
| LS5017562 | REAR DOOR |
| LS5017608 | DEFLECTOR SHIELD, SS |
| LS5017609 | DEFLECTOR SPACER |
| LS5017610 | LH SCREEN HANGER BRACKET |
| LS5017611 | SCREEN ROLLER BRACKET STRAP |
| LS5017612 | SCREEN ROLLER |
| LS5017618 | PIVOT SCREEN HANDLE BRACKET |
| LS5017623 | REAR STORAGE DOOR |
| LS5017623SS | REAR STORAGE DOOR, SS |
| LS5017634 | SUCTION ADAPTER MNTG. BRKT. |
| LS5017636 | HOPPER DRAIN SCREEN |
| LS5017638 | 435 FUEL TANK GUARD |
| LS5017651 | VACUATOR MANIFOLD SEAL |
| LS501771 | 600 PTO HSG./BEARING ASSY. |
| LS5017716 | RH DST SKID PLATE SEAL, BAH |
| LS501773 | OIL COOLER |
| LS5017758 | RH SCREEN SIDEBOARD |
| LS5017759 | LH SCREEN SIDEBOARD |
| LS5017761 | RH SCREEN HANGER BRACKET |
| LS5017763 | SCREEN SHAFT SEAL PLATE |
| LS5017764 | SCREEN SHAFT SEAL |
| LS5017786 | RUBBER LINED DOOR, SS NOTCHED |
| LS5017787 | RUBBER LINED DUST SEP., SS |
| LS5017789 | CLAMP BKT. HI-VOL. DELUGE 60 |
| LS5017815 | FORGED & MACHINED BLOWER LIP |
| LS5017817 | DUAL FRONT CURTAIN MOUNT |
| LS5017818 | FLAT CURTAIN CLAMP |
| LS5017833 | DST VACUATION HOSE-FLEX 64 |
| LS5017838 | HINGE |
| LS5017839 | CURTAIN, SEPARATOR, MID. SLOT |
| LS501784 | HOSE WASH DOWN ASSEMBLY |
| LS501785 | GUTTER BROOM HUB PULLER 600 |
| LS5017874 | INLET CONE |
| LS5017938 | BLOWER HOUSING BRACE |
| LS5017973 | COVER PLATE - HOPPER DRAIN |

LACAL HAS MANY MORE ITEMS AVAILABLE – JUST ASK!



| | |
|-----------|-----------------------------------|
| LS5017980 | SHIM - CENTERING HOPPER/FRAME |
| LS5018021 | HOPPER DRAIN HOSE, 4" ID X 20" |
| LS5018025 | SEAL - COVER PLATE |
| LS501803 | CYLINDER, DUMP DOOR |
| LS5018065 | CLAMP-DRIP EDGE EXTENSION |
| LS5018066 | DRIP EDGE EXTENSION |
| LS5018086 | ALIGNMENT STRIP |
| LS5018135 | 600 BBH CUTTING TEMPLATE |
| LS5018143 | EXHAUST PIPE |
| LS5018181 | HOPPER DRAIN HOSE SLEEVE, 4" O.D. |
| LS5018261 | 435 TOOLBOX REAR DOOR |
| LS5018275 | STRAP |
| LS5018291 | RH STD SKID PLATE HEAD SEAL |
| LS5018292 | LH STD SKID PLATE HEAD SEAL |
| LS5018305 | BOLT-ON DRAG LINK BRACKET |
| LS5018320 | PLATE |
| LS5018340 | DST-4 SS DIVERTER VANE |
| LS5018352 | DST-4 SHORT TRANSFER TUBE, 26.5" |
| LS5018379 | HOSE 1.50" X 24 |
| LS501838 | RELIEF VALVE-CAT 290 |
| LS5018386 | PRESSURE TUBE INLET SEAL |
| LS5018387 | SEPARATOR DUST SHIELD |
| LS5018395 | BLAST ORIFICE FLANGE SEAL |
| LS5018397 | TRANSITION SEAL |
| LS5018422 | BKT. RESTRAINT CHAIN MAGNET IH |
| LS5018455 | BLAST ORIFICE CHANNEL |
| LS5018456 | CURTAIN MOUNTING ANGLE |
| LS5018501 | G.B. BUSHING SPACER, 1/2" -5/8" |
| LS5018502 | BAH TORQ MOTOR SHIM |
| LS5018574 | EXTENSION PLATE |
| LS5018654 | LH MOUNTING PAD |
| LS5018655 | RH MOUNTING PAD |
| LS5018662 | EXTRA HEAVY FRONT CURTAIN |
| LS5018701 | SCREEN SEAL CURTAIN |
| LS5018702 | 500X SKIMMER HOOD CURTAIN |
| LS5018703 | BLAST ORIFICE BACKUP PLATE |
| LS5018880 | 500X SCREEN RETAINER |
| LS5018902 | 500XDUMP DOOR TOP/BOTTOM SEAL |
| LS5018903 | 500X DUMP DOOR SEAL, LH/RH |
| LS5018952 | SEPARATOR LINER |
| LS5018954 | 500X INLET SCROLL |
| LS5018961 | UPPER SCROLL, RUBBER COATED |
| LS5018962 | SKIMMER HOOD LOWER SCROLL |
| LS5018963 | 500X CURTAIN WIPE SEP. CLAMP |

| | |
|-----------|-----------------------------------|
| LS5018966 | SCREEN SEAL CURTAIN CLAMP |
| LS5018973 | 500X DEFLECTOR SHIELD, SS |
| LS501899 | SHUT DOWN KIT, KUBOTA |
| LS5019003 | 500X OUTRIGGER BASE END PIN |
| LS5019004 | 500X OUTRIGGER ROD END PIN |
| LS5019028 | 500X MUD FLAP HANGER |
| LS5019053 | 500X BLOWER NUT LOCK PLATE |
| LS5019058 | PILOT PLATE |
| LS5019060 | LIFTING LUG |
| LS5019061 | MOTOR PLATE |
| LS5019062 | RH SIDE PLATE |
| LS5019063 | LH SIDE PLATE |
| LS5019064 | 500X SUCTION SEAL |
| LS5019065 | RETAINER PL. -BLOWER INLET SEAL |
| LS501912 | INSPECTION DOOR ASSEMBLY |
| LS5019214 | MOUNT ANGLE SUCTION TRANSITION |
| LS5019229 | OUTERWALL LINER-SUCT CHAMBER |
| LS5019230 | EXT. LINER SIDE WALL-SUCTION SIDE |
| LS5019255 | LINER SUCTION-HOPPER, 3/8" |
| LS5019256 | LINER SUCTION SIDE-HOPPER |
| LS5019308 | 600 BKT. -HAND HOSE EXT. |
| LS5019311 | EXT. BKT. TAIL LIGHT-HAND HOSE FC |
| LS5019315 | STIFFENER |
| LS5019348 | FRONT CURTAIN BRACKET |
| LS5019375 | 600/DST-6 SPRING BKT. SHORT |
| LS5019410 | BRACKET |
| LS5019485 | GUTTER BROOM DISC |
| LS5019489 | PORT COVER, BLOWER HOUSING |
| LS5019501 | SEQUENCE VALVE MOUNT |
| LS5019538 | STUD BOLT - TILT CYLINDER |
| LS5019546 | BRACKET, BULKHEAD FTG 1/4" JIC |
| LS5019553 | RH HOPPER DOOR SKIN |
| LS5019554 | LH HOPPER DOOR SKIN |
| LS5019571 | HOPPER SCREEN SUPPRT CHANNEL |
| LS5019572 | HOPPER SCREEN HANGER |
| LS5019573 | HOPPER SCREEN REAR MOUNT |
| LS5019574 | LH HOPPER SIDE BOARD SCREEN |
| LS5019575 | HOPPER MID. HANGER SCREEN |
| LS5019576 | RH HOPPER SIDE BOARD SCREEN |
| LS5019577 | HOPPER STOP ANGLE SCREEN |
| LS5019581 | HOPPER CENTER STOP SCREEN |
| LS5019582 | HOPPER FRONT SCROLL INLET |
| LS5019583 | HOPPER STOP/CATCH-INLET LINER |

| | |
|-----------|------------------------------------|
| LS5019584 | REAR RETAINER-INLET LINER |
| LS5019627 | CYLINDER MOUNT - CURTAIN LIFTER |
| LS5019628 | ROLLER CURTAIN LIFTER |
| LS5019632 | ROLLER CURTAIN |
| LS5019635 | LINER INNER WALL-HOP. SUCTION UHMW |
| LS5019636 | LINER REAR WALL-HOP. SUCTION UHMW |
| LS5019638 | FILLER |
| LS5019670 | SPACER, CURTAIN LIFT CYLINDER |
| LS501971 | WATER PUMP ASSY. W/OIL-CAT 290 |
| LS5019718 | SPACER |
| LS5019719 | TONE RING |
| LS5019725 | DRAG LINK MNT. PLATE-PUH ITEC |
| LS5019726 | 500X RH DRAG LINK MNT. -ITEC T3 |
| LS5019727 | 500X LH DRAG LINK MNT-ITEC T3 |
| LS5019733 | DIFFUSER HANGER |
| LS5019735 | DRAG LINK BRACKET, 4.25" OFFSET |
| LS5019738 | GUTTER BROOM EXT. PLATE-ITEC T3 |
| LS501980 | C290 WATER PUMP/CLUTCH ASSY |
| LS5019838 | WIRING COVER |
| LS5019852 | 210/435 UPSTOP LEG-T3 ISUZU |
| LS5019853 | 210/435 UPSTOP FOOT T3 ISUZU |
| LS5019854 | CENTER DIRT DEFLECTOR MOUNT |
| LS5019895 | 435 FENDER |
| LS5019911 | LH OUTSIDE WALL REAR TOOL BOX |
| LS5019918 | RH OUTSIDE WALL REAR TOOL BOX |
| LS5019928 | G.BROOM EXTENSION PLATE |
| LS5019947 | 500X MANIFOLD COVER, BLK ABS |
| LS5019977 | CURTAIN LIFT SPACER |
| LS5020019 | ACTUATOR ARM EXT. |
| LS5020047 | 500X SUCTION NOZZLE LINER |
| LS5020049 | 500X SUCTION TRANS. LINER |
| LS502008 | HSP CURTAIN SET W/HARDWARE |
| LS5020133 | SUCTION TUBE LINER |
| LS5020145 | LINER-BOLT ON SUCTION INLET UHMW |
| LS5020146 | LINER-BOLT ON SUCTION INLET UHMW |
| LS5020173 | NOZZLE BRACKET |
| LS5020193 | LINER SUCTION SIDE |
| LS5020194 | SUCTION LINER |
| LS502025 | 600 HOPPER SUCTION SIDE KIT |
| LS5020335 | ACTUATOR MOUNT BRACKET |
| LS5020358 | SWITCH |

BEFORE BUYING ELSEWHERE, GET AN ABSOLUTELY FREE QUOTE FROM LACAL!

CONTACT US TODAY VIA PHONE 800.543.6161 or EMAIL SALES@LACAL.COM

THESE ARE JUST SOME OF OUR MOST REQUESTED PRODUCTS...

| | |
|--------------|------------------------------------|
| LS5020359 | SWITCH |
| LS5020386 | 600 LED MOUNT BRACKET |
| LS5020397 | BASE MOUNT |
| LS5020398 | MOUNT BASE, CABLE |
| LS5020407 | HINGE, SS |
| LS502041 | SEPARATOR DOOR/INLET KIT |
| LS5020418 | CURTAIN, SUCTION BAFFLE |
| LS5020422 | COVER - DEF TANK |
| LS502043 | SEP. DOOR STRIKE, BOLT-ON STYLE |
| LS5020441 | HCDS HANGER PLATE |
| LS5020442 | HCDS SKIMMER PLATE |
| LS5020457 | LEAF BLEEDER CABLE |
| LS5020499 | LATCH |
| LS5020530 | ACTUATOR |
| LS5020548 | HOPPER DRIP EDGE EXT CLAMP |
| LS5020549 | HOPPER DRIP EDGE MNTG. BRKT. |
| LS5020552 | LEAF BLEEDER CABLE |
| LS5020577 | ROLLER FRONT CURTAIN CLAMP |
| LS5020617 | BASE MOUNT, LPB CABLE |
| LS5020618 | BASE MOUNT |
| LS5020658 | OUTSIDE WALL SUCTION LINER |
| LS502096 | ACTUATOR/LEAF BLEEDER ASSY. |
| LS5021105 | CABLE BASE MOUNT |
| LS5021109 | BRACKET |
| LS502116 | TRANSITION W/SEAL & FLANGE |
| LS5021268 | ROLLER |
| LS5021367 | SCREEN |
| LS5021368 | SIDE PANEL, SCREEN ASSEMBLY |
| LS5021369 | HANGER BRACKET |
| LS5021371 | HANGER |
| LS5021377 | ROLLER BAR |
| LS5021378 | THREADED ROD |
| LS5021584 | CURTAIN LIFT CYLINDER MOUNT |
| LS502174 | SEAL ASSEMBLY, PRESSURE TRANS. HSP |
| LS502177 | DUMP DOOR CYLINDER |
| LS5021783 | BRACKET |
| LS5021784 | HANGER |
| LS502180 | HSP INLET SCROLL/DOOR ASSY. |
| LS502206 | 600 G.B. EXTENSION, 4" REACH |
| LS502231 | POLYTRANS W/O SEAL & FLANGE |
| LS502271 | PIVOT ASSEMBLY |
| LS502299 | HYD. HOSE ASSY 1/4" X 214.876" |
| LS502316 | 210 SIDE INSPECTION DOOR KIT |
| LS502333 | SKIMMER SCOOP |
| LS502346 | 210 HOPPER ASSY., CABOVER |
| LS502356 | GUTTER BROOM MOUNT |
| LS502402 | 210 PICKUP HEAD LIFT CHAIN KIT |
| LS502412 | WATER PUMP, 12VDC |
| LS502425 | FRONT DEFLECTOR ASSEMBLY |
| LS502470 | 600 BAH KIT |
| LS502470ASSY | 600 BAH KIT ASSEMBLY |
| LS502556 | 12 VDC ELECTRIC WATER PUMP |
| LS502565 | BRM-BAH (BLK) W/HUB 5015031 |
| LS502566 | BRM-BAH (RED) W/HUB 5015031 |
| LS502567 | HYDRAULIC MOTOR, BAH |
| LS502569 | DUO CARBIDE SKID W/PLATE |
| LS502569B | MOUNTING PLATE |

| | |
|-----------|--------------------------------------|
| LS502570 | DR BAH SKID SHOE & PLATE ASSY. |
| LS502570A | BAH CARBIDE RUNNER, 2-PC. SET |
| LS502570B | MOUNTING PLATE |
| LS502573 | HYDRAULIC HOSE ASSEMBLY |
| LS502574 | HYDRAULIC HOSE ASSEMBLY |
| LS502575 | HOSE ASSEMBLY |
| LS502579 | UPSTOP |
| LS502580 | MOTOR MOUNT WELDMENT |
| LS502581 | RH BAH CONTROL ARM WELDMENT |
| LS502583 | RH PIVOT SHAFT WELDMENT |
| LS502583E | STUB SHAFT MOUNT |
| LS502584 | LH PIVOT SHAFT WELDMENT |
| LS502589 | HOSE ASSEMBLY |
| LS502593 | TRANSITION W/LEAF BLEEDER |
| LS502599 | BRACKET |
| LS502601 | HYDRAULIC HOSE ASSEMBLY |
| LS502602 | HYDRAULIC HOSE ASSEMBLY |
| LS502603 | HOSE ASSEMBLY |
| LS502605 | HOSE |
| LS502606 | HOSE ASSEMBLY |
| LS502607 | HOSE ASSEMBLY |
| LS502608 | HOSE ASSEMBLY |
| LS502609 | 600 BAH CURTAIN SET W/HDW |
| LS502619 | HYD. GUTTER BROOM MOTOR |
| LS502639 | BAH P.U.H. BROOM REPLACEMENT KIT |
| LS502665 | WATER HOSE ASSY., 1/4" X 36" |
| LS502690 | 8" TUBE ASSEMBLY - HAND HOSE |
| LS502691 | 6" TUBE ASSEMBLY-HAND HOSE |
| LS502693 | 8" QD. TUBE ASSEMBLY, STD. HAND HOSE |
| LS502703 | HYD. RES. ASSY BAH, 25 GAL. |
| LS502752 | 210 BACKPACK BLOWER BOX ASSY. |
| LS502810 | PTO HSG/BEAR. ASSEMBLY-BAH GAS |
| LS502851 | SHEAVE ASSEMBLY W/BSH (QUIET PKG) |
| LS502852 | MUFFLER-JD4039T & 4045T |
| LS502883 | BLAST ORFICE WELDMENT |
| LS502913 | 210 HOPPER ASSEMBLY |
| LS502915 | CENTER DEBRIS DEFLECTOR ASSY. |
| LS502938 | DELUGE FTG. ASSEMBLY-BULKHEAD 2" NPT |
| LS502973 | WATER PUMP ONLY (CAT 290) |
| LS502984 | PRESSURE CHAMBER WEAR KIT |
| LS503001 | 600 UPSTOP KIT |
| LS503003 | SCREEN BAFFLE, SET OF 3 |
| LS503006 | HYDRAULIC PUMP |
| LS503008 | GEAR DRIVEN PUMP |
| LS503009 | BELT DRIVEN PUMP |
| LS503013 | RELIEF VALVE |
| LS503014 | CHECK VALVE |
| LS503015 | FLOW DIVIDER CARTRIDGE ONLY |
| LS503016 | BYPASS VALVE, VICKERS W/COIL |
| LS503021 | 600 UPSTOP WELDMENT |

PART NOT LISTED? WE HAVE HUNDREDS OF ADDITIONAL PARTS AVAILABLE FOR YOUR MACHINE. CALL 800.543-6161 TODAY!

| | |
|------------|--|
| LS503027 | BY PASS VALVE-VICKERS W/O COIL |
| LS503056 | HOSE ASSY. 1/2" X 70" HYD. BLUE |
| LS503084 | BLACK BOX-ASSEMBLY |
| LS503098 | LOCK VALVE, BAH BROOM |
| LS503099 | CARTRIDGE-LOCK VLV. BAH |
| LS503102 | LEAF PRESSURE BLEEDER ACTUATOR |
| LS503103 | 600 LPB SELECT GUIDE ASSEMBLY |
| LS503104 | LPB ROD WELDMENT |
| LS503111 | SUPPORT CHANNEL ASSEMBLY-HAND HOSE |
| LS503115 | HOSE |
| LS503116 | HOSE ASSEMBLY-HYDRAULIC 1/4" X 204.876 OA |
| LS503117 | HOSE ASSEMBLY 1/4" X 160.00" HYDRAULIC, 162.126 GAL. |
| LS503118 | HOSE |
| LS503122 | 600 FRONT HEADER WELDMENT |
| LS503128 | SEPARATOR MOUNT WELD. PIN |
| LS503130 | STRAINER ASSY, WATER 1" FPT |
| LS503138 | INSP/HAND HOSE DOOR WELD. |
| LS503141 | HSP TRANSITION |
| LS503142 | HSP SUCTION TUBE WELD.-HOP. |
| LS503146 | 1/4" HYDRAULIC HOSE |
| LS503154 | 600 FILLER ASSY-DELUGE OPTION |
| LS503159 | FRONT CROSS MEMBER WELD. |
| LS503192 | 10" DRAG WELDMENT |
| LS503203 | STUB SHAFT-KUBOTA V1902/V1903 |
| LS503213 | LATERAL AIRFLOW NOZZLE ASSY. |
| LS503226 | DUCT/DIVERTER WELD.-L. A. N. |
| LS503228 | KNOB ASSY.-GATE ADJUSTER LAN |
| LS503232 | HSP PICKUP HEAD ASSEMBLY |
| LS503233 | REMOVABLE PRESSURE LID ASSY. |
| LS503234 | HSP CURTAIN SET W/HARDWARE |
| LS503242 | 600 WATER FILTER ASSY., STD. |
| LS503243 | 600 WATER FILLER ASSY.-DELUGE |
| LS503256 | LPB ROD ASSEMBLY, IH HYD. BRAKES |
| LS503268 | PRESSURE CHAMBER WEAR KIT |
| LS503272 | SUCTION NOZZLE LINER KIT |
| LS503303 | VALVE |
| LS503306 | TUBE ASSEMBLY KIT |
| LS503311 | MANIFOLD ASSEMBLY |
| LS503313 | CYLINDER |
| LS503314 | 6 STATION WATER VALVE |
| LS503329 | HDW. KIT FOR MOUNTING G.B. |
| LS503332 | INSPECTOR DOOR FRAME WELD |
| LS503340 | WIRE HARNESS-SIDE CLEARANCE LT |
| LS503356 | 600 DUSTLESS P.U.H. CURTAIN SET |
| LS503357 | 210DC/DST-4 BOXED CURTAIN SET |
| LS503358 | BLOWER ASSEMBLY |
| LS503359 | BEARING SPACER ADAPTER KIT |
| LS503360 | G.B. CYLINDER ALL MODEL SAE PORT |
| LS503360SK | SEAL KIT FOR 503360 CYLINDER |
| LS503361 | GUTTER BROOM CYLINDER, |
| LS503362 | 600 P. H. LIFT CYL., SAE PORTS |
| LS503363 | CYLINDER W/FITTINGS |
| LS503364 | DUMP DOOR/P.U.H. CYLINDER, SAE PORTS |
| LS503365 | DUMP DOOR/P.U.H. CYLINDER |

LACAL HAS MANY MORE ITEMS AVAILABLE – JUST ASK!



| | |
|----------|----------------------------------|
| LS503370 | 210 CYLINDER, SAE PORTS |
| LS503372 | DUMP DOOR CYLINDER, SAE PORT |
| LS503374 | G.B. TILT CYLINDER, SAE PORTS |
| LS503383 | 210 CENTER SCREEN |
| LS503384 | 210 HOPPER SIDE SCREEN |
| LS503386 | SLIDE OUT SCREEN KIT |
| LS503391 | GUTTER BROOM MANIFOLD |
| LS503408 | LAN MAGNET SWITCH MOUNT ASSY |
| LS503411 | BAH HEAD WATER SYSTEM PARTS |
| LS503412 | HOSE |
| LS503421 | RELIEF ASSEMBLY |
| LS503432 | RH G.BROOM MOUNTING WELD. |
| LS503433 | LH G.B. SHOULDER PLATE WELD. |
| LS503434 | LH GUTTER BROOM ASSEMBLY |
| LS503435 | RH GUTTER BROOM ASSEMBLY |
| LS503441 | LOCK VALVE WITH WIRE HARNESS |
| LS503446 | VERTICAL DIGGER ASSEMBLY |
| LS503455 | HYDRAULIC HOSE ASSY., 1/4" X 27" |
| LS503467 | HAND HOSE EXT BOOM ARM ASSY. |
| LS503480 | PRESSURE TRANS. WELDMENT |
| LS503485 | HSP SUCTION TRANS SEAL, 10" |
| LS503541 | HI-VOLUME SKIMMER SCOOP |
| LS503602 | 210 MAIN WIRE HARNESS-ISUZU |
| LS503612 | 210DC AIR BLEEDER WELDMENT |
| LS503614 | 210DC BLEEDER PIVOT W/ARM |
| LS503619 | AUX HAND HOSE ASSEMBLY, 8" |
| LS503648 | 600 AUX. HAND HOSE ASSY., 6" |
| LS503651 | 210 AUX. HAND HOSE ASSY./KIT, 6" |
| LS503690 | LH 600 DRAG LINK MOUNT WELD. |
| LS503691 | RH 600 DRAG LINK MOUNT WELD. |
| LS503781 | MANIFOLD |
| LS503796 | 210 HYDRAULIC PUMP |
| LS503799 | HOSE ASSEMBLY, 1/4" X 103" |
| LS503838 | BROOM TILT SWITCH |
| LS503839 | PICKUP HEAD SWITCH |
| LS503840 | ENGINE RPM SWITCH |
| LS503841 | PRESSURE BLEEDER SWITCH |
| LS503842 | GUTTER BROOM SWITCH |
| LS503843 | BAH SWITCH |
| LS503845 | BROOM WATER SWITCH |
| LS503846 | BROOM LIGHT SWITCH |
| LS503847 | WARNING LIGHTS SWITCH |
| LS503848 | WATER SYSTEM SWITCH |
| LS503849 | HOPPER WATER SWITCH, SPST (C-H) |

| | |
|--------------|------------------------------------|
| LS503850 | SWITCH-H/O WATER, SPST |
| LS503851 | HEAD WATER SWITCH |
| LS503852 | PICK-UP HEAD SWITCH |
| LS503855 | AUXILIARY HYDRAULIC SWITCH |
| LS503856 | WORK LIGHT SWITCH |
| LS503859 | 600 DUMP SWITCH WIRE HARNESS |
| LS503878 | ROD |
| LS503884 | PICKUP HEAD DOLLY ASSEMBLY |
| LS503899 | DST-6 CURTAIN SET W/HARDWARE |
| LS503908 | SEP. CABLE/HANDLE W/CATCH, 98" |
| LS503964 | PILOT LAMP ASSEMBLY |
| LS504009 | FHD BOOM SWITCH |
| LS504035 | 210 WATER SYSTEM |
| LS504110 | 600 PICKUP HEAD TRANSITION |
| LS504120 | 210 DUMP CYLINDER (PIGGY BACK) |
| LS504139 | REAR BUMPER, ISUZU |
| LS504141 | SWEeper FRAME ASSEMBLY/CROSSMEMBER |
| LS504147 | 210 POLY WAFER OPTION, GMC |
| LS504149 | FUEL TANK STRAPS |
| LS504161 | 600 COATED BLOWER KIT |
| LS504166 | 600 PLAIN BLOWER KIT |
| LS504174 | FITTING |
| LS504177 | 210 H.D. G.BROOM NUT COVER |
| LS504185 | PIN EYE MOUNT PLATE |
| LS504212 | 1/2" HYDRAULIC HOSE ASSEMBLY |
| LS504213 | 1/2" HYDRAULIC HOSE ASSEMBLY |
| LS504214 | HOSE ASSY. 1/2" -18" HYD. BLUE |
| LS504215 | HOSE ASSY. 1/2" -18" HYD. BLUE |
| LS504217 | BAH BARE PICKUP HEAD |
| LS504217ASSY | 600 BAH PICKUP HEAD SUB- ASSY. |
| LS504235 | 600 ABRASION PROTECTION KIT |
| LS504241 | 210 BLOWER HOUSING TRANSITION |
| LS504242 | BLOWER HOUSING |
| LS5042421 | BLOWER HOUSING W/LINER ASSY. |
| LS504242KIT | BLOWER HOUSING LINER KIT |
| LS504242SS | 210/435 BLOWER HOUSING, SS |
| LS504243 | BLOWER HSG. & TRANSITION KIT |
| LS504348 | ALIGNMENT BOLT |
| LS504354 | CENTER DEFL. ASSY. W/MOUNTS |
| LS504377 | 210 G.B. HAND WELD, 600 STYLE |
| LS504381 | RH G.BROOM EXT. PLATE WELD. |
| LS504458 | MTG. BKT. WELDMENT-STEP |
| LS504459 | VICKERS COIL, 12 VDC |

| | |
|----------------|---|
| LS504471 | SAFETY PROP, UPPER |
| LS504472 | SAFETY PROP, LOWER |
| LS504473 | DEFLECTOR ASSEMBLY |
| LS504475 | RADIATOR MOUNT |
| LS504477 | FRONT COWLING MOUNT |
| LS504490 | BLOWER HOUSING COVER |
| LS504491 | 210 BLOWER KIT-COATED IMPELLER |
| LS5044911 | BLOWER HOUSING KIT, NO IMPELLER SHAFT/HUB |
| LS504491505023 | LINED BLOWER & SEPARATOR ASSEMBLY |
| LS504503 | DOUBLE DUO SKID WELD.-STD. |
| LS504523 | DOUBLE DUO SKID WELD.-BAH |
| LS504553 | SENDING UNIT, FUEL TANK FL70 |
| LS504555 | PRESSURE INLET W/BLEEDER WELD. |
| LS504559 | 210 TRANSITION W/LEAF BLEEDER |
| LS504561 | HOSE |
| LS504562 | HOSE |
| LS504622 | SINGLE CONTROL VALVE ASSEMBLY |
| LS504642 | FRONT BUMPER SPRAY BAR ASSY. |
| LS504687 | CONTROL VALVE-BAH W/DEUTSCH |
| LS504701 | EXH. TUBE WELD. V2003T 2.375" |
| LS504725 | 210 AUX. HANDHOSE ASSY. W/BOOM |
| LS504778 | 6 STATION/4 VALVE ASSY., NO TILT |
| LS504784 | 600 MAIN MANIFOLD ADD-ON SECT |
| LS504805 | 210 FENDER, 99 & UP FORD |
| LS504805SS | 210 SS FENDER, 99 & UP FORD |
| LS504806 | WASHDOWN GUN |
| LS504812 | HOSE |
| LS504833 | WIRE HARNESS, JUMPER/PIGTAIL |
| LS504860 | REAR SPLIT SCREEN WELD., STD. |
| LS504861 | FRONT SPLIT SCREEN WELD., STD. |
| LS504883 | FLEX COUPLING, WELD-GM350 |
| LS504897 | 210/435 PICKUP HEAD, SRE |
| LS504898 | COATED PRESSURE INLET, SRE |
| LS504899 | SUCTION TRANSITION, SRE COATED |
| LS504901 | 210/435 SRE PRESSURE TRANSITION |
| LS504919 | 210 WIRE HARNESS-FENDERS |
| LS504929 | 210/435 ELECT. WATER PUMP ASSY. |
| LS504949 | CONTROL VALVE AST. W/DEUTSCH |
| LS504955 | DUST BOX BOLT-ON INLET |
| LS504956 | DC PRESSURE TUBE WELD. 8" PORT |
| LS504991 | 210 SEPARATOR W/SKIMMER |
| LS504991M1 | SKIMMER PLATE MOUNT BRACKET |
| LS504992 | SEPARATOR - RUBBER LINED |

BEFORE BUYING ELSEWHERE, GET AN ABSOLUTELY FREE QUOTE FROM LACAL!

CONTACT US TODAY VIA PHONE 800.543.6161 or EMAIL SALES@LACAL.COM

ALL PARTS ARE GUARANTEED TO MEET WITH YOUR APPROVAL. Local Equipment, Inc. offers after-market parts for road and highway maintenance equipment. All original equipment manufacturer's names, drawings, colors and part numbers are used for identification purposes only. Local is in no way implying that any of our products are original equipment parts.

ALL PARTS ARE GUARANTEED TO MEET WITH YOUR APPROVAL. Local Equipment, Inc. offers after-market parts for road and highway maintenance equipment. All original equipment manufacturer's names, drawings, colors and part numbers are used for identification purposes only. Local is in no way implying that any of our products are original equipment parts.

THESE ARE JUST SOME OF OUR MOST REQUESTED PRODUCTS...

| TYMCO | | TYMCO | | TYMCO | |
|--------------|---|--------------|------------------------------------|--------------|---|
| LS504993 | 210 ABRASION PROTECTION KIT | LS505271SS | BLAST ORIFICE, SS | LS505846 | 500X HYD. BLOWER MOTOR |
| LS505007 | MUFFLER MOUNT WELDMNT | LS505275 | 600 MTG. BRACKET WELD., BBH | LS505848 | 500X HYD. PUMP, HD SER 2- W/T3 |
| LS505020 | 210/435 SEPARATOR W/SEAL | LS505282 | 6-VALVE ASSEMBLY- REMCOR | LS505875 | 500X STABILIZER CYLINDER |
| LS505021 | RUBBER LINED SEPARATOR W/SEAL | LS505312 | 435 DUMP DOOR SEAL | LS505876 | 500X PICKUP HEAD CYLINDER |
| LS505022 | SEPARATOR KIT, UNLINED | LS505313 | SUCTION TUBE SEAL | LS505889 | RAM ARM EXT WELD-DROP DOWN GUTTER BROOM |
| LS505023 | LINED SEPARATOR KIT | LS505315 | 435 AUX. HAND HOSE DOOR WELD. | LS505896 | G.B. TILT CYLINDER HARDWARE KIT |
| LS505024 | LINEAR ACTUATOR ASSEMBLY | LS505327 | STORAGE COMPARTMENT ASSY. | LS505925 | BAH PICKUP HEAD WELDMNT |
| LS505026 | BUMPER EXTENSION WELDMNT | LS505340 | HOPPER ASSY. W/BOLT-ON BLOWER | LS505929 | BLOWER SHAFT |
| LS505041 | SWITCH | LS505350 | 435 ABRASION PROTECTION KIT | LS505933 | MOUNTING ARMS |
| LS505050 | VELOCITY INTENSIFIER, COATED | LS505351 | BBH INTERFACE PANEL | LS505963 | WRAP FLEX COUPLING ASSEMBLY |
| LS505055 | DST-6 BAH PICK-UP HEAD KIT | LS505353 | 435 HOPPER DRAIN ASSEMBLY | LS505975 | FUEL TANK STRAP |
| LS505055ASSY | DST-6 BAH PICK-UP HEAD ASSY. | LS505364 | HOSE ASSY., 1/4" X 75" HYD. | LS506126 | 500X SCISSOR PROP ROD WELD. |
| LS505086 | WATER DRAIN ASSEMBLY | LS505375 | 435 SRE COATED SUCTION TUBE | LS506137 | 500X CHUTE ASSEMBLY |
| LS505107 | HOPPER DELUGE ASSY-W/TRIPLE | LS505376 | SUCTION ADAPTER, SRE COATED | LS506138 | CHUTE WELDMNT |
| LS505139 | DIRT HOPPER WELDMNT | LS505393 | MANIFOLD | LS506147 | 500X SEPARATOR DOOR WELD. |
| LS505139ZOL | LH SCREEN ROLLER TRACK | LS505394 | 4-VALVE ASSEMBLY W/PIPE | LS506150 | 500X SEP. HOOD HINGE WELD. |
| LS505139ZOR | RH SCREEN ROLLER TRACK | LS505396 | 7-VALVE ASSEMBLY | LS506151 | 500X SUCTION TUBE WELDMNT |
| LS505147 | PIN WELDMNT | LS505402 | 4-STATION WATER MANIFOLD | LS506157 | 500X BAH PICKUP HEAD ASSY. |
| LS505148 | DUMP CYLINDER | LS505403 | 6-STATION WATER MANIFOLD | LS506176 | 500X BLOWER HOUSING ASSY. |
| LS505149 | 435 SKIMMER HOOD WELDMNT | LS505407 | 3-STATION WATER VALVE | LS506177 | 500 BLOWER HOUSING WELD. |
| LS505150 | DUMP DOOR WELDMNT | LS505408 | 4-STATION WATER MANIFOLD ASSY | LS506177ASSY | 500X BLWR HSG. W/LINER ASSY. |
| LS505150SS | 435 DUMP DOOR, SS | LS505410 | BOLT-ON BLOWER HSG. W/MOUNTS | LS506178 | 500X BLOWER ASSEMBLY |
| LS505158 | RH FENDER WELDMNT | LS505410ASSY | BOLT-ON BLOWER HSG. W/LINER | LS506179 | COATED BLOWER ASSEMBLY |
| LS505159 | LH FENDER WELDMNT | LS505416 | WATER MANIFOLD WIRE HARNESS | LS506180 | CHANNEL WELDMNT |
| LS505161 | 435 SCREEN WELDMNT | LS505429 | 435 HOPPER DELUGE MNT. WELD. | LS506181 | BLOWER COVER WELDMNT |
| LS505161SS | 435 HOPPER SCREEN, SS | LS505433 | NOZZLE MOUNT WELDMNT | LS506203 | UPSTOP KIT |
| LS505162 | SCREEN ARM/SHAFT WELDMNT | LS505434 | DELUGE PLUG ASSEMBLY | LS506204 | UPSTOP SLEEVE WELDMNT |
| LS505163 | HANDLE WELDMNT, SCREEN | LS505437 | 210/435 PICKUP HEAD ASSY. | LS506205 | UPSTOP ARM WELDMNT |
| LS505164 | RH REAR STORAGE WELDMNT | LS505437SS | 210/435 PICKUP HEAD ASSY, SS | LS506226 | 500X SUCTION TUBE WELDMNT |
| LS505165 | LH REAR STORAGE WELDMNT | LS505468 | DELUGE ASSEMBLY | LS506253 | FRONT SCREEN WELD. EXPM., SS |
| LS505166 | SUCTION TUBE WELDMNT | LS505471 | WATER HOSE ASSY, 1/4" X 126" | LS506254 | REAR SCREEN WELD. EXPM., SS |
| LS505167 | SUCTION ADAPTER WELDMNT | LS505541 | CLEANOUT PLUG W/CHAIN, 6" | LS506302 | SUCTION TRANS. ADAPTER W/SEAL |
| LS505169 | FLANGE WELDMNT | LS505541A | GRIPPER PLUG, 6" | LS506368 | DST-6 STRATA DOOR SEAL |
| LS505170 | CLEANOUT DOOR, RETRO-FIT KIT | LS505574 | FUEL HOSE ASSEMBLY, 1/2" X 65" | LS506370 | DST CLEANOUT DOOR SEAL ASSY. |
| LS505171 | GRIPPER PLUG, 4" DIA. | LS505629 | FRONT CROSSMEMBER WELDMNT | LS506371 | DST ACCESS DOOR SEAL ASSY. |
| LS505172 | GUTTER BROOM SEQUENCE VALVE | LS505641 | 26" MUD FLAP GUARD ASSEMBLY-DELUGE | LS506374 | 500X STD PICKUP HEAD WELD. |
| LS505190 | WATER TANK FRAME WELDMNT | LS505648 | PRESSURE INLET, 4" CLEANOUT | LS506381 | SWITCH PACK-PUH, TILT, RH G.B. |
| LS505191 | STORAGE BOX WELDMNT | LS505661 | 435/DST-4 BLEEDER WELDMNT | LS506383 | SWITCH PACK |
| LS505202 | 210 SRE BLOWER HOUSING WELD. | LS505677 | 210 GUTTER BROOM CYLINDER | LS506385 | SWITCH PACK 500X |
| LS505203 | 435 HOPPER DRAIN WELDMNT | LS505685 | COMPRESSOR BASE | LS506389 | RHEOSTAT G.BROOM W/WIRES |
| LS505208 | 435 HOPPER ASSEMBLY | LS505687 | DST-4 BLOWER HSG. WELDMNT | LS506390 | 8" HAND HOSE BRACKET ASSY. |
| LS505211 | CONTROL VALVE RELIEF/FLOW | LS505689 | BLOWER HSG. ASSY. W/TRANS. | LS506422 | 5-VALVE ASSEMBLY- REMCOR |
| LS505213 | 600 HINGE WELDMNT, DUST SEP. | LS505690 | TUBE ASSEMBLY | LS506497 | HOSE ASSEMBLY, 1/2 X 41" HYD. |
| LS505214 | HI CAPACITY SEPARATOR ASSY. | LS505732 | PICKUP HEAD ASSEMBLY | LS506520 | GUTTER BROOM MANIFOLD |
| LS5052141 | MID SLOT SEPARATOR ASSY W/O INLET SCROLL OR LIFT CABLE ASSY | LS505737 | REMOVABLE DRAG LINK BRKT. KIT | LS506527 | RH ARM WELDMNT ASSEMBLY |
| LS5052142 | MID SLOT SEPARATOR ASSEMBLY W/O INLET SCROLL | LS505738 | 600 WATER DRAIN ASSY.-CNG | LS506528 | LH ARM WELDMNT ASSEMBLY |
| LS505215 | TUBE MANIFOLD-HI VOLUME DELUGE | LS505744 | G.B. TORQ MOTOR SUB-ASSY. | LS506529 | GUTTER BROOM WRIST, NEW TILT |
| LS505216 | SAFETY PROP WELDMNT | LS505747 | DUMP DOOR WELDMNT, 2003 | LS506534 | WRIST PIN, GUTTER BROOM TILT #2 |
| LS505244 | TOP MNT. WELD. -BLOWER SRE | LS505748 | SEAL/BUSHINGS/DUMP DOOR ASSEMBLY | LS506542 | LH GUTTER BROOM TILT SUB-ASSY. |
| LS505245 | BOTTOM MNT. WELD. -BLOWER SRE | LS505750 | RH BUMPER END CAP | LS506547 | GUTTER BROOM MANIFOLD ASSY. |
| LS505258 | 600 VERT. STIFFENER WELD., BBH | LS505751 | LH BUMPER END CAP | LS506549 | RH TILT GUTTER BROOM SUB-ASSY. |
| LS505260 | 600 BARE HOPPER SHELL | LS505779 | P.U.H. WATER SYS. COMPONENTS | LS506550 | LH TILT GUTTER BROOM SUB-ASSY. |
| LS505265 | PICKUP HEAD W/ABO BRACKET | LS505789 | HSP BLAST ORIFICE | LS506551 | RH TILT GUTTER BROOM SUB-ASSY. |
| LS505266 | FENDER SUPPORT WELDMNT | LS505793 | G.B. UNIVERSAL JOINT ASSEMBLY | LS506554 | LH 500X/600 G.BROOM TILT ASSY. |
| LS505271 | BLAST ORIFICE WELDMNT | LS505829 | T MOTOR, BAH-EATON 8 CID | LS506555 | RH 500X/600 G.BROOM TILT ASSY. |
| | | LS505838 | SHORT G.BROOM TILT CYLINDER | LS506556 | Q RELEASE HANDLE, 8" HANDHOSE |
| | | | | LS506576 | 435 BIG DUMP DOOR SEAL |

BEFORE BUYING ELSEWHERE, GET AN ABSOLUTELY FREE QUOTE FROM LACAL!

ALL PARTS ARE GUARANTEED TO MEET WITH YOUR APPROVAL. Lecal Equipment, Inc. offers after-market parts for road and highway maintenance equipment. All original equipment manufacturer's names, drawings, colors and part numbers are used for identification purposes only. Lecal is in no way implying that any of our products are original equipment parts.

LACAL HAS MANY MORE ITEMS AVAILABLE – JUST ASK!

| TYMCO | | TYMCO | | TYMCO | |
|--------------|--|-----------|---|-------------|--|
| LS506577 | DUMP DOOR | LS507399 | PUH INLET W/6" CLEANOUT PORT | LS520887 | UPSTOP |
| LS506578 | FRAME WELDMNT | LS507404 | DST-6 DUSTLESS BOX ASSEMBLY | LS521132 | SPRAY BAR, FRONT, 72" |
| LS506580 | DUMP DOOR ASSEMBLY | LS507408 | PRESSURE INLET W/ACT TAB | LS521518 | HOPPER INSPECTION DOOR |
| LS506581 | 435 HOPPER ASSEMBLY | LS507410 | RETROFIT KIT- PRESSURE INLET | LS800016 | DUMP DOOR FHD 600 BAH |
| LS506582 | HOPPER BT. SCREEN WELDMNT | LS507416 | RETROFIT KIT-PRESSURE INLET | LS800019 | DIRT HOPPER WELDMNT |
| LS506583 | 435 BIG TOP HOPPER WELDMNT | LS507430 | 210/435 G.B. HAND WELD., 5-DEG. | LS800020 | HOPPER SEAL FLANGE |
| LS506598 | 435 HOPPER UHMW INLET LINER | LS507445 | HI CAP DUST SEPARATOR WELD. | LS800025 | SEPARATOR SCREEN |
| LS506603 | 4 STATION VALVE MANIFOLD | LS507446 | MID SLOT SEPARATOR SUB-ASSY. | LS800027 | SEPARATOR WELDMNT |
| LS506604 | CURTAIN LIFTER WELD | LS507476 | 210 LOW PROFILE P.U.HEAD WELD. | LS800047 | PIN WELDMNT |
| LS506608 | INLET WEAR FLANGE ASSY W/LINER | LS507479 | 210 FORD CURTAIN SET | LS800084 | PIN WELDMNT |
| LS506609 | FLANGE WELDMNT | LS507483 | 600 HAND HOSE DOOR ASSY., 8" | LS800087 | ROD TRUNION ASSEMBLY |
| LS506631 | CURTAIN LIFTER KIT | LS507486 | INSPECTION DOOR FRAME WELD. | LS800386 | PIN WELDMNT |
| LS506632 | CURTAIN LIFTER CONTROL WIRING | LS507507 | INSPECTION DOOR WELDMNT | LS800387 | DEFLECTOR ASSEMBLY |
| LS506667 | 500X WATER PUMP ASSEMBLY | LS507508 | HAND HOSE DOOR WELDMNT | LS800388 | CENTER DIRT DEFLECTOR, CARGO |
| LS506679 | SPEED SENSOR BRACKET WELD | LS507509 | 210/435 INSPECTION DOOR ASSY. | LS800389 | BEARING MOUNT, SEPARATOR |
| LS506683 | 600 STRAIGHT DRAG LINK, ITEC | LS507510 | 210 HAND HOSE DOOR ASSY., 6" | LS800396 | TOP SCROLL WELDMNT |
| LS506684 | G.BROOM SPACER BLOCK, ITEC T3 | LS507519 | RETROFIT KIT-KUB. COOLANT REC. | LS800397 | BOTTOM SCROLL LID ASSEMBLY |
| LS506714 | COOLANT SURGE TANK | LS507562 | BLOWER LINER PRESS TOOL KIT | LS800497 | BAH DRAG LINK WELDMNT |
| LS506749 | 435 SWEEPER CONVERSION KIT | LS507563 | MOUNT BASE WELDMNT | LS800620 | STRAIGHT HOP. INLET TUBE WELD. |
| LS506750 | 600 SWEEPER REPLACEMENT KIT | LS507564 | RAM WELDMNT | LS8010035 | HOPPER CURTAIN CLAMP |
| LS506757 | DST PICKUP HEAD SUB-ASSY. | LS507592 | SWITCH PACK | LS8010036 | CURTAIN |
| LS506758 | 210/435 PICKUP HEAD SUB ASSY. | LS507668 | G.BROOM POSITIONER MOUNT WELD. UNISTRUT | LS8010150 | WEAR PAD, LIFT PAD |
| LS506759 | 435 PICKUP HEAD SUB-ASSY. | LS507669 | TAB WELD., G.BROOM UNISTRUT | LS8010313 | 600/FHD IMPELLER |
| LS506762 | 600 BAH PICKUP HEAD SUB-ASSY. | LS507679 | PRESSURE INLET WELD. W/ACT TAB | LS8010384 | MIDDLE DIRT DEFLECTOR MOUNTING BRACKET |
| LS5067621 | 600 BAH P.U. HEAD ASSY SPEC | LS507681 | RETROFIT KIT-PRESSURE INLET LPB | LS8010386 | SEAL-SIDES SEPARATOR |
| LS506763 | 600 PICKUP HEAD KIT | LS507708 | HOPPER SCREEN BAFFLES, SET /2 | LS8010387 | SPEARATOR LINER |
| LS506763ASSY | 600 PICKUP HEAD ASSEMBLY | LS507721 | FILTER | LS8010462 | BLOWER SHAFT |
| LS506772 | 500X PICKUP HEAD SUB-ASSY. STD. | LS507735 | 600 SEP. LINER PRESS TOOL KIT | LS8010502 | DUMP DOOR CURTAIN |
| LS506774 | 500X BAH PICKUP HEAD SUB ASSY. | LS507736 | REMOVABLE SUCTION TRANS. KIT ITEC | LS8010560 | GRAB HANDLE-REAR DOOR |
| LS506776 | DST-6 BAH P.U. HEAD SUB-ASSY. | LS507737 | REMOVABLE SUCTION TUBE WELD. | LS8010578 | CURTAIN MOUNTING ANGLE |
| LS506857 | STRATA PANEL HOUSING SEAL | LS507738 | BLOWER HOUSING WEDGE | LS8010579 | CURTAIN |
| LS506862 | CENTER DIRT DEF. ASSY.-132" WB | LS507812 | SUCTION ADAPTER W/SEAL ASSY. | LS8010580 | CHAIN, 1/4" X 8 LINKS |
| LS506863 | CENTER DIRT DEFLECTOR ASSY. | LS507887 | PRESSURE TRANS. W/6" CLEANOUT PORT | LS8010583 | SHEAVE GUARD |
| LS506878 | RELIEF VALVE W/MANIFOLD-SUN | LS507932 | STABILIZER MNT. WELD-MAGNET | LS8010677 | REAR PLATE SHEAVE GUARD |
| LS506904 | 6 STATION/6 VALVE CONTROL MANI | LS508026 | 600 SUCTION LINER KIT | LS8010723 | BLOWER DRIVE KEY |
| LS506909 | 435 TOOLBOX DOOR ASSEMBLY | LS508031 | RH GUTTER BROOM ARM WELD.- 3" | LS8010809 | STEEL FRONT CURTAIN STIFFENER |
| LS506954 | 500X HD SUCTION LINER ASSY. | LS508158 | PRESSURE LID W/SEAL KIT | LS8010809SS | FRONT CURTAIN STIFFENER, SS |
| LS506965 | CURTAIN LIFTER ASSEMBLY | LS508334 | LIFT WELDMNT | LS8010851 | CLAMP SPACER, MEDIUM |
| LS507058 | RH ARM WELDMNT | LS508346 | STRAINER ASSY.-WATER 1" FPT BLK | LS8010882 | THROTTLE ACTUATOR MNTG. BRKT. |
| LS507060 | LH ARM WELDMNT | LS508404 | ROLLER | LS8010955 | MOUNTING ANGLE |
| LS507081 | SUCTION NOZ. LINER ASSY. A.B.P. | LS508406 | CURTAIN LIFTER, 600 CNG NCP | LS8010958 | FHD CURTAIN MOUNTING ANGLE |
| LS507083 | SUCTION TRANS. LINER ASSY. A.B.P. | LS508407 | SCREEN ASSEMBLY | LS8010974 | BOTTOM SCROLL PIECE |
| LS507094 | 4" PLUG ASSY. - CLEANOUT PORT | LS508408 | 600 SCREEN ASSY.-HOPPER DRAIN | LS8010987 | DUMP DOOR BUSHING, 1.50" |
| LS507100 | 500X PRESSURE SWITCH-HYD. | LS508483 | HINGE WELD | LS8011215 | BLOWER HOUSING LINER |
| LS507120 | DST FILTER/SEPARATOR ASSY. | LS508603 | G.B. TORQ MOTOR, PARKER TG 17. 1 | LSKT1001 | SKIMMER HOOD KIT |
| LS507129 | SUCTION TUBE LINER ASSEMBLY-ABR. PROT. | LS508609 | SHEAVE/CLUTCH RETROFIT | LSKT1006 | 600 BLOWER HSG LINER KIT |
| LS507131 | ELECT. HYD. PUMP ASSY. W/FTGS | LS508735 | PRESSURE INLET W/LINAK | LSKT1049 | VALVE RETROFIT KIT |
| LS507132 | HYD. PUMP, 12 VDC W, ORB PORTS | LS509198 | GUTTER BROOM MOTOR | LSKT1064 | DUAL SWIVEL SKIMMER/SEP. DOOR |
| LS507157 | SKID BUMPER EXT. SET ASSY. | LS509293 | FLEX COUPLING RETROFIT - DIESEL | LSKT1092 | 600 RETROFIT BLOWER HSG. KIT |
| LS507166 | HOPPER SCREEN V | LS5203877 | DRAG ARM | LSKT1102 | BLOWER LINER & LIP KIT |
| LS507183 | HOPPER INLET LINER | LS5203978 | HEAD STOP OUTER BRACKET | LSKT1113 | FUSE PANEL RETROFIT-ALL MODELS |
| LS507184 | ABRASION PKG. W/BOLT ON SUCTION | LS5203979 | HEAD STOP INNER PLATE | LSP12734 | PALLET (4-PCS) DST FILTERS-PTFE |
| LS507187 | SEPARATOR DOOR HOOK WELD. | LS5205136 | DOOR LATCH, ROOF DOOR | LSS5020496 | SS HANDLE CATCH |
| LS507332 | OVERFLOW TANK | LS520846 | DUMP DOOR | LSS506146 | 500X SEPARATOR DOOR ASSY., SS |
| LS507370 | 500X/600 G.B. HAND WELD. 5-DEG. | LS520886 | UPSTOP | LSS506147 | SEPARATOR WELDMNT, SS |
| LS507376 | CLEANOUT PLUG HANDLE | | | LSS506150 | HINGE WELDMNT, SS |
| LS507388 | PRESSURE INLET W/ACTUATOR TAB | | | | |

CONTACT US TODAY VIA PHONE 800.543.6161 or EMAIL SALES@LACAL.COM

ALL PARTS ARE GUARANTEED TO MEET WITH YOUR APPROVAL. Lecal Equipment, Inc. offers after-market parts for road and highway maintenance equipment. All original equipment manufacturer's names, drawings, colors and part numbers are used for identification purposes only. Lecal is in no way implying that any of our products are original equipment parts.

THESE ARE JUST SOME OF OUR MOST REQUESTED PRODUCTS...

REPLACEMENT TIRES



LAMINATED

AIRCRAFT

LAMINATED TIRES

- 14" with 4-bolt mount
- 15" with 4-bolt mount
- 21" with 4-bolt mount & tread pattern
- 21" with 5-bolt mount & tread pattern
- 26" with 5-bolt mount & tread pattern

AIRCRAFT TIRES

- Used and recapped aircraft tires are perfect for your mowing needs.
- Offered in a wide variety of sizes.
- Choose air-filled or foam-filled.
- Tubes and rims are also available.

All tires sold by Lecal Equipment are for non-highway use only. All serial numbers have been removed.

Yes, We Have the Hardware for That!



Bolts, nuts, washers, pins, clevises.. we keep most connection hardware for our parts inventory in stock. So skip the delay of a trip to your local hardware store - let Lecal include everything you need right in your order.

BEFORE BUYING ELSEWHERE, GET AN ABSOLUTELY FREE QUOTE FROM LACAL!

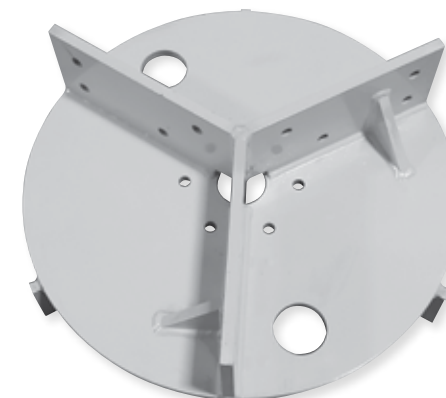
ALL PARTS ARE GUARANTEED TO MEET WITH YOUR APPROVAL. Lecal Equipment, Inc. offers after-market parts for road and highway maintenance equipment. All original equipment manufacturer's names, drawings, colors and part numbers are used for identification purposes only. Lecal is in no way implying that any of our products are original equipment parts.

LACAL HAS MANY MORE ITEMS AVAILABLE – JUST ASK!

DISH PANS, STUMP JUMPERS & DITCHER DISCS



LM06700002
Blade Dish with Hardware, 60"



LM6T7008
Ditcher Disc



LM34512
Blade Dish with 5/8" Holes, 50"

ALAMO/TERRAIN KING

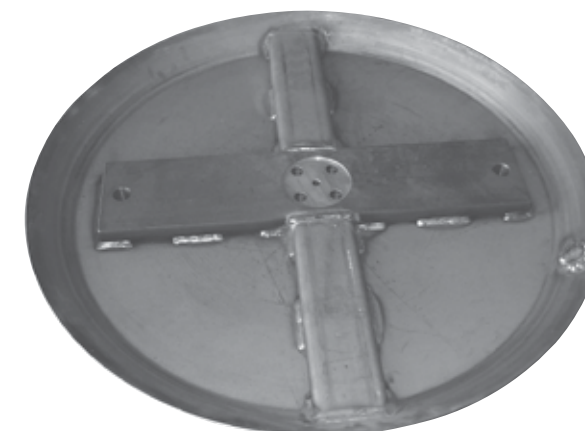
| | |
|------------|--------------------------------------|
| LM02960612 | STUMP JUMPER PAN WELDMENT, 72" |
| LM02964456 | BLADE PAN WITH BLADES & HARDWARE KIT |
| LM02964804 | BLADE PAN WITH SPIDER & HARDWARE KIT |

DIAMOND

| | |
|----------|----------------------------|
| LM240002 | NEW STYLE 50" DISH, 1-5/8" |
|----------|----------------------------|

TIGER

| | |
|-------------|---|
| LM06700001 | BLADE MOUNT DISH WITH HARDWARE, 50" |
| LM06700002 | BLADE DISH WITH HARDWARE, 60" |
| LM31325 | LIGHTENED BLADE DISH WITH 5/8" HOLES, 60" |
| LM31326 | BLADE DISH WITH 5/8" HOLES, 50" |
| LM31327 | SIDE MOUNT BLADE DISH WITH 5/8" HOLES, 60" |
| LM3132712 | BLADE DISH WITH 5/8" HOLES, 60", WITH 12 BLADE BOLT HOLES |
| LM33711 | BLADE DISH WITH 5/8" HOLES, 50" |
| LM34512 | BLADE DISH WITH 5/8" HOLES, 50" |
| LM34875 | BLADE DISH, 50" |
| LM34876 | BLADE DISH WITH HARDWARE, 60" |
| LM6T1020RD | BLADE DISH WITH 1/2" HOLES, 60" |
| LM6T1020RD5 | SIDE MOUNT BLADE DISH WITH 5/8" HOLES, 60" |
| LM6T1020TB | BLADE DISH WITH 1/2" HOLES, 50" |
| LM6T1020TB5 | BLADE DISH WITH 5/8" HOLES, 50" |
| LM6T7008 | DITCHER DISC |
| LM6T7008R | DITCHER DISC (REVERSE) |
| LMTB1109 | LIGHTENED BLADE PAN WITH 1/2" HOLES, 60" |



LM02960612
Stump Jumper Pan, 72"

CONTACT US TODAY VIA PHONE 800.543.6161 or EMAIL SALES@LACAL.COM

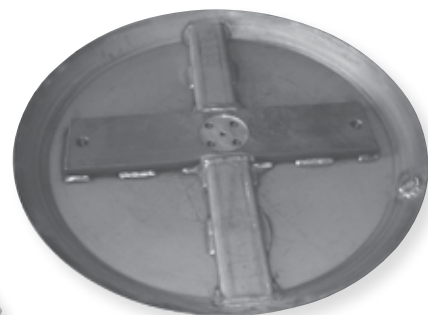
ALL PARTS ARE GUARANTEED TO MEET WITH YOUR APPROVAL. Lecal Equipment, Inc. offers after-market parts for road and highway maintenance equipment. All original equipment manufacturer's names, drawings, colors and part numbers are used for identification purposes only. Lecal is in no way implying that any of our products are original equipment parts.

THESE ARE JUST SOME OF OUR MOST REQUESTED PRODUCTS...



LM00776618
LH/RH Wing Skid Shoe

TOP
SELLER



LM02960612
Stump Jumper Pan Weldment



LM02782900K
Bolt Kit



LM02976761
Roller Bearing Bracket

TOP
SELLER

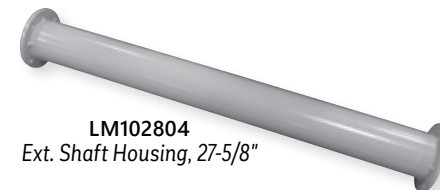
ALAMO

| | |
|-------------|---|
| LM000327 | BEARING |
| LM000399 | CUTTERSHAFT BEARING |
| LM000402 | SNAP RING |
| LM000533 | BELT |
| LM000702 | V-BELTS, 2-PIECE MATCHED SET |
| LM001007 | CYLINDER PIN W/CLIP |
| LM001450 | CROSS & BEARING KIT W/RETAINING RINGS |
| LM001461 | PTO CLUTCH |
| LM001494 | FILTER SCREEN |
| LM001719 | OUTPUT SHAFT SEAL |
| LM001767P | DRIVE BELT |
| LM002367 | SPACER |
| LM002530 | BEARING |
| LM00723892A | MOUNTING PLATE |
| LM00723892B | STIFFENER BAR |
| LM00723892C | SKID PLATE |
| LM00747900 | COLLAR LOCKNUT, GR "C", ZINC |
| LM00749486 | RETAINING RING |
| LM00750787D | BLADE |
| LM00750788D | BLADE |
| LM00752971 | BLADE SET (2 X LM00750787D) |
| LM00752972 | BLADE SET (2 X LM00750788D) |
| LM00753841 | CW BLADE |
| LM00753842 | CCW BLADE |
| LM00754093 | HYDRO 15 CENTER SEC BLADE BAR |
| LM00755021A | PULL ROD |
| LM00755031 | RH/LH RETAINING ARM |
| LM00755119 | DOUBLE REAR WING CHAINGUARD ASSEMBLY |
| LM00755556 | LEFT WING FRONT ASSEMBLY CHAIN GUARD |
| LM00755557 | RIGHT WING FRONT ASSEMBLY CHAIN GUARD |
| LM00756875 | HOLD DOWN BAR FLAP |
| LM00758833 | BUSHING WELDMENT |
| LM00759303 | LEVEL ROD SHORT WELDMENT |
| LM00776618 | LH/RH WING SKID SHOE |
| LM00778190 | LH FRONT CENTER CHAIN GUARD ASSEMBLY |
| LM00778191 | RH FRONT CENTER CHAIN GUARD ASSEMBLY |
| LM00778192 | FRONT CENTER CHAIN GUARD ASSEMBLY |
| LM00780882 | CCW FAN BLADE, 22-1/2" CTR-TIP |
| LM00785733 | FRONT CENTER GUTTER BROOM SHIELD WELDMENT |
| LM025200 | TIRE, 6" X 10" |
| LM02778200 | BEARING CUP & CONE KIT |
| LM02782300 | VERSA BOOM BLADE BAR ASSEMBLY |
| LM02782900K | BOLT KIT |
| LM02870900 | SPINDLE NUT, 1-3/4 - 12 |

ALAMO

| | |
|------------|------------------------------------|
| LM02873200 | SPACER |
| LM02885800 | REAR CLAMP BAR |
| LM02956831 | FRONT TURNING ARM ASSEMBLY |
| LM02957239 | HARDENED CLEVIS PIN |
| LM02957241 | D-RING |
| LM02957497 | WELDMENT-LINKAGE ARM |
| LM02958577 | BLADE BAR, 72" |
| LM02958644 | HITCH POST W/FITTINGS |
| LM02959089 | WELDMENT COVER HOUSING, STD. |
| LM02959282 | SQUARE KEY |
| LM02959746 | SWING STOP |
| LM02960612 | STUMP JUMPER PAN WELDMENT, 72" |
| LM02963037 | FRONT SWING BOOM STOP |
| LM02963093 | PIN WELDMENT |
| LM02964139 | PIN |
| LM02964457 | BLADE CARRIER KIT, 50" |
| LM02965214 | TEFLON BEARING |
| LM02965223 | SOLENOID VALVE & COIL ASSEMBLY |
| LM02965538 | MAIN PIN WELDMENT |
| LM02967171 | REAR TURN WELDMENT |
| LM02967775 | DOOR WELDMENT |
| LM02969232 | MIDDLE LEAF BLADE BAR |
| LM02969233 | BOTTOM LEAF BLADE BAR |
| LM02969980 | WELDMENT DIPPER PIN THREADED |
| LM02970302 | HITCH POST WELDMENT |
| LM02970537 | HUB |
| LM02971387 | TOP LEAF BLADE BAR |
| LM02971703 | PIN WELDMENT |
| LM02971963 | WELDMENT DOOR |
| LM02972723 | DOOR LOCK WELDMENT |
| LM02972726 | PIN WELDMENT |
| LM02976761 | ROLLER BEARING BRACKET |
| LM02978461 | WELDMENT PIN, 1-1/2" O.D. X 6-3/4" |
| LM02978525 | OUTER WING SKID SHOE |
| LM02978531 | ADJUSTABLE SIDE MOUNT WELDMENT |
| LM02981294 | DIPPER/LIFT WELDMENT PIN, MVB |
| LM02981420 | BUSHING, 2-1/4" X 2" X 3" |
| LM02981757 | HITCH POST PIN WELDMENT |
| LM02981802 | WEAR SLIDE, DIPPER, MAVERICK |
| LM02982913 | LEAF, BOTTOM, BLADE BAR |
| LM02982980 | CYLINDER PIN |
| LM02984572 | BLADE BOLTS, NUTS, ROLLPIN KIT |
| LM02985319 | WELDMENT, HITCH POST |
| LM02986282 | EXT. SERV, KNIFE, PACKAGE (200) |

LACAL HAS MANY MORE ITEMS AVAILABLE - JUST ASK!



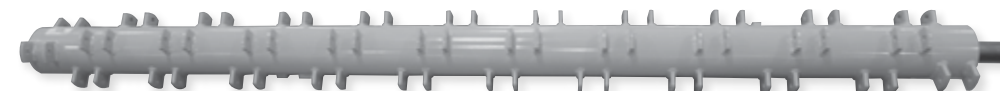
LM102804
Ext. Shaft Housing, 27-5/8"



LM100761
Flail Blade Clevis
LM102670
Hardened Clevis Pin



LM103051
Skid Shoe



LM107125
Coarse Cut Cuttershaft, 88"



LM100759FM
Coarse Cut Flail Blade

TOP
SELLER

ALAMO

| | |
|------------|------------------------------------|
| LM02986336 | BLADE KIT |
| LM02987649 | TURRET PIN WELDMENT |
| LM02991412 | TOP PIN LINK |
| LM02991620 | LH 3-PT. LINK EXT. WELDMENT |
| LM02991621 | RH 3-PT. LINK EXT. WELDMENT |
| LM02994581 | PLATE, SKID SHOE, BATTAXE |
| LM02994847 | FILTER ASSEMBLY |
| LM100010 | BEVEL WASHER |
| LM100054 | INPUT SHAFT SEAL |
| LM100055 | OUTPUT SHAFT SEAL |
| LM100247 | CHAIN, 5/16" EXT. CHAIN X 11 LINKS |
| LM100286 | EXTENSION SHAFT |
| LM100288 | EXTENSION SHAFT |
| LM100721 | EXT. SHAFT HOUSING, 36-1/8" |
| LM100724 | EXTENSION SHAFT FOR #88 |
| LM100727 | PULLEY IDLER ARM |
| LM100755 | REAR DEFLECTOR WITHOUT HARDWARE |
| LM100759FM | COARSE CUT FLAIL BLADE |
| LM100761 | FLAIL BLADE CLEVIS |
| LM100776 | EXT. SHAFT HOUSING, 29-9/16" |
| LM100783 | FLAP |
| LM101034 | CLEVIS PIN |
| LM101778 | IDLER BEARING SPACER |
| LM101780 | HD WASHER, THRU-HARDENED |
| LM101991 | D-RING |
| LM101993 | FINE-CUT FLAIL BLADE |
| LM102086 | FINE CUT FLAIL BLADE |
| LM102173 | GROUND ROLLER, 74" X 3-1/2" DIA. |
| LM102174 | GROUND ROLLER, 60" X 3-1/2" DIA. |
| LM102501 | EXTENSION SHAFT PULLEY |
| LM102565 | PULLEY |
| LM102651 | PULLEY SHIM |
| LM102658 | OVERARM ASSEMBLY WELDMENT |
| LM102670 | HARDENED CLEVIS PIN |
| LM102792 | CUTTERSHAFT BEARING |
| LM102804 | EXT. SHAFT HOUSING, 27-5/8" |
| LM102874 | EXT. SHAFT HOUSING, 21-5/8" |
| LM102988 | CUTTER SHAFT FINE CUT |
| LM103051 | SKID SHOE |
| LM103058 | MOTOR BRACKET |
| LM103065 | CUTTERSHAFT PULLEY, LESS BRAKE |
| LM103105 | IDLER PULLEY, "TRIMMED" |
| LM103117 | LH FENDER |
| LM103189SP | KEY, 1/4" X 3/8" X 2" |

ALAMO

| | |
|------------|---|
| LM103389 | RETURN HOSE |
| LM103715 | A-FRAME BAR |
| LM104298 | GROUND ROLLER, 74" X 6" DIAMETER |
| LM104299 | GROUND ROLLER, 88" X 6" DIAMETER |
| LM104682 | FLAP |
| LM104683 | EXT. SHAFT HOUSING, 22-9/16" |
| LM104844 | CHAIN, 10-3/16" LONG |
| LM104884 | FRONT PUMP BRACKET |
| LM104938 | IDLER ARM WELDMENT |
| LM105319FM | HD FLAIL BLADE |
| LM105530 | (EARLY) CUTTERSHAFT, 62" |
| LM105697 | ROLLER BRACKET |
| LM105699 | SPACER |
| LM105700 | THREADED GROUND ROLLER, 50" |
| LM105701 | THREADED GROUND ROLLER, 62" |
| LM105702 | THREADED GROUND ROLLER, 74" |
| LM105703 | THREADED GROUND ROLLER, 88" |
| LM105760 | CUTTERSHAFT, 60" |
| LM105761 | COARSE CUT CUTTERSHAFT, 74" |
| LM106151 | CUTTER SHAFT, 88" |
| LM106330 | FRONT FOOT GUARD, 88" |
| LM106743 | FINE CUT CUTTERSHAFT, 48" |
| LM106743A | KNIFE MOUNTING TAB |
| LM106780 | FLAP |
| LM106781 | DEFLECTOR |
| LM106789 | IDLER ARM WELDMENT |
| LM107123 | COARSE CUT CUTTERSHAFT, 62" |
| LM107124 | COARSE CUT CUTTERSHAFT, 74" |
| LM107125 | COARSE CUT CUTTERSHAFT, 88" |
| LM107128 | FINE CUT CUTTERSHAFT, 74" |
| LM107129 | FINE CUT CUTTERSHAFT, 88" |
| LM107176 | KEYED GROUND ROLLER, 62" |
| LM107177 | KEYED GROUND ROLLER, 74" |
| LM107178 | KEYED GROUND ROLLER, 88" |
| LM107255 | INTERSTATER TOE GUARD, 62" |
| LM107256 | SHD TOE GUARD, 74" |
| LM107257 | INTERSTATER TOE GUARD, 74" |
| LM107258 | SHD TOE GUARD, 88" |
| LM107259 | INTERSTATER TOE GUARD, 88" |
| LM107340 | ROLLER BEARING HOUSING |
| LM107390 | RH FORWARD ROTATION BELT GUARD WELDMENT |
| LM107524 | FOOT GUARD |
| LM107745 | COARSE CUT CUTTERSHAFT, 96" |
| LM107745A | KNIFE HOLDER |

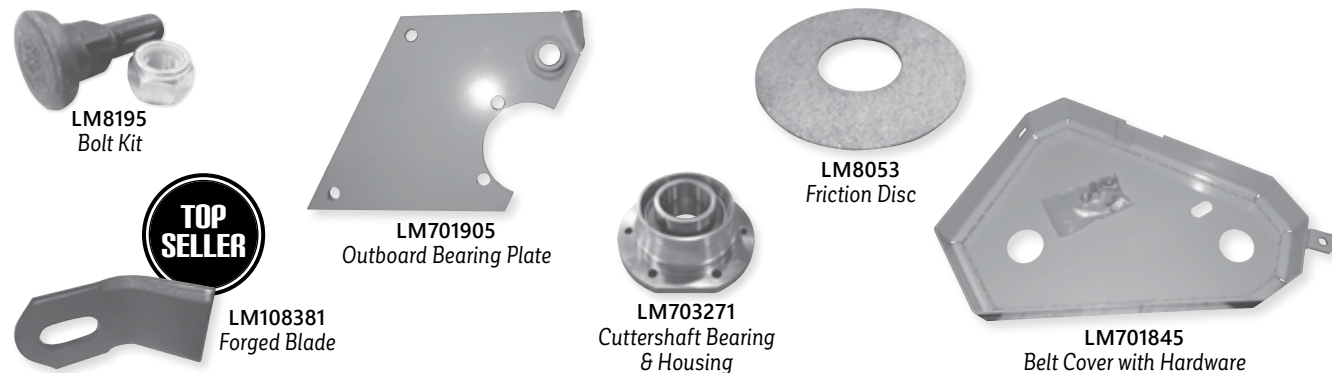
BEFORE BUYING ELSEWHERE, GET AN ABSOLUTELY FREE QUOTE FROM LACAL!

CONTACT US TODAY VIA PHONE 800.543.6161 or EMAIL SALES@LACAL.COM

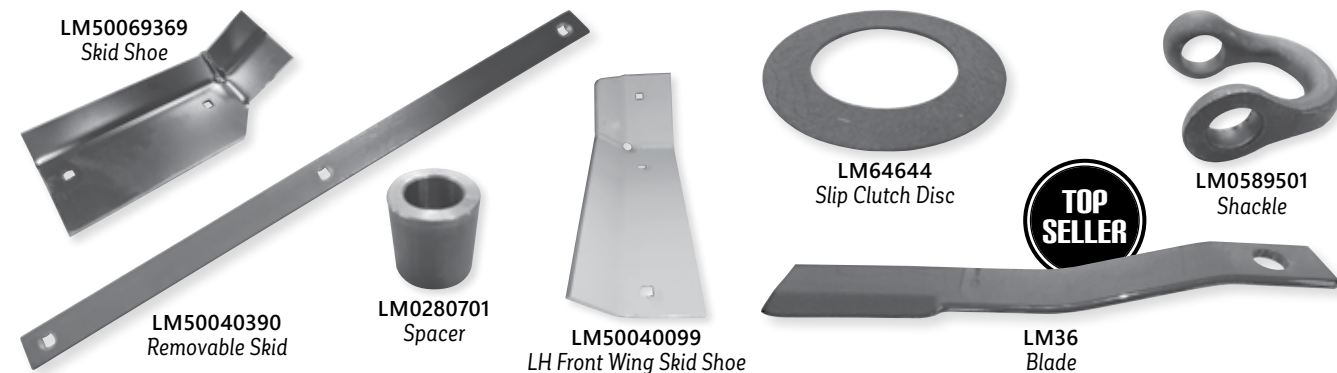
ALL PARTS ARE GUARANTEED TO MEET WITH YOUR APPROVAL. Local Equipment, Inc. offers after-market parts for road and highway maintenance equipment. All original equipment manufacturer's names, drawings, colors and part numbers are used for identification purposes only. Local is in no way implying that any of our products are original equipment parts.

ALL PARTS ARE GUARANTEED TO MEET WITH YOUR APPROVAL. Local Equipment, Inc. offers after-market parts for road and highway maintenance equipment. All original equipment manufacturer's names, drawings, colors and part numbers are used for identification purposes only. Local is in no way implying that any of our products are original equipment parts.

THESE ARE JUST SOME OF OUR MOST REQUESTED PRODUCTS...



LACAL HAS MANY MORE ITEMS AVAILABLE – JUST ASK!



ALAMO

| | |
|-----------|--|
| LM107753 | REAR TRASH DEFLECTOR, 96" |
| LM107754 | FRONT FOOT GUARD, 96" MOWER |
| LM107783 | ROLLER END WITH HEX SHAFT |
| LM107784 | HEX GROUND ROLLER, 62" |
| LM107784A | HEX END STUB SHAFT |
| LM107785 | HEX GROUND ROLLER, 74" |
| LM107786 | HEX GROUND ROLLER, 88" |
| LM107787 | HEX GROUND ROLLER, 96" |
| LM108381 | FORGED BLADE |
| LM2196 | LYNCH PIN CLIP |
| LM2501 | BOLT KIT |
| LM373024H | TAILWHEEL, 4" X 8" |
| LM700171 | SPLINED COUPLER WITH ZERK |
| LM700488 | BELT COVER WITH HARDWARE |
| LM700494 | IDLER ASSEMBLY |
| LM700497M | LIFT CHAIN ASSEMBLY |
| LM700498 | REAR TRASH DEFLECTOR WITH HARDWARE |
| LM700524 | TRASH DEFLECTOR |
| LM700592 | KNIFE PACKAGE |
| LM700616 | FLAIL KIT |
| LM700690 | 1000 COTTER PINS |
| LM700739 | BEARING HOUSING WITH ZERK |
| LM700883 | INNER PIVOT PIN WITH GREASE ZERK |
| LM700886 | SKID SHOE W/HARDWARE |
| LM701041 | BLADE KIT |
| LM701043 | CLEVIS KIT |
| LM701044 | PIN KIT |
| LM701401 | GROUND ROLLER ASSEMBLY, 74" |
| LM701402 | GROUND ROLLER ASSEMBLY, 88" |
| LM701405 | TIE ROD FOR 74" |
| LM701406 | TIE ROD FOR 88" |
| LM701614 | ROLLER ASSEMBLY WITHOUT BRACKET & NUT, 48" |
| LM701616 | TIE ROD WITH ZERK, 48" |
| LM701617 | TIE ROD |
| LM701618 | TIE ROD WELDMENT |
| LM701650 | DEFLECTOR |
| LM701845 | BELT COVER WITH HARDWARE |
| LM701851 | IDLER ARM ASSEMBLY (SHD-RR) |
| LM701905 | OUTBOARD BEARING PLATE |
| LM701914 | SHOE WEAR PLATE ASSEMBLY |
| LM702255 | EXTREME SERVICE KNIFE PACKAGE |
| LM702485 | ROLLER BEARING & HOUSING ASSEMBLY |
| LM702673 | GEAR BOX |
| LM702706 | OUTER PIVOT ASSEMBLY, WITH G.F. & BUSH |

ALAMO

| | |
|-----------|---|
| LM702749 | IDLER PIVOT PIN WITH ZERK |
| LM703260 | HEX GROUND ROLLER ASSEMBLY, 88" |
| LM703261 | HEX GROUND ROLLER ASSEMBLY, 74" |
| LM703263 | LH BEARING & BRACKET ASSEMBLY, KEYED |
| LM703271 | CUTTERSHAFT BEARING & HOUSING |
| LM703520 | SWITCH ASSEMBLY |
| LM703575 | ROLLER BEARING/HOUSING ASSEMBLY, ROUND BORE |
| LM703694 | BEARING WITH SET SCREW |
| LM703874 | KNIFE PACKAGE |
| LM703976 | HEX ROLLER BEARING & HOUSING |
| LM703977 | LH HEX ROLLER BRACKET/BEARING ASSEMBLY |
| LM703978 | RH HEX ROLLER BRACKET/BEARING ASSEMBLY |
| LM703999A | BLADE KIT |
| LM704388 | ASSEMBLY BEARING REPLACEMENT |
| LM704390 | CUTTER SHAFT BEARING W/SPACER |
| LMC310112 | SKID MOUNT WELDMENT |
| LMFM7 | HD BLADE |

BMB

| | |
|-----------|--|
| LM1410 | DISC PAD |
| LM2304BMB | LAMINATED TIRE/WHEEL |
| LM2327 | BOLT |
| LM2328 | BOLT KIT |
| LM2353 | BOLT |
| LM2367 | BOLT KIT (3/4-16 BOLT, NUT & COTTER PIN) |
| LM2537 | RETAINING RING |
| LM2538 | RETAINING RING |
| LM2542 | LAMINATED TIRE/WHEEL |
| LM5051H | GREASE BOLT WITH ZERK |
| LM5337 | LAMINATED TIRE |
| LM7502 | KIT |
| LM7516 | SQUARE HOLE WASHER |
| LM8053 | FRICTION DISC |
| LM8079 | BLADE |
| LM8081 | BUSHING |
| LM8195 | BOLT KIT |
| LM8197 | BLADE |
| LM8227 | BLADE BOLT |
| LM8227BK | BLADE BOLT KIT |
| LM8251 | BLADE BOLT |
| LM8264 | BOLT KIT |
| LM8391 | QD COLLAR KIT |
| LM8393 | BEARING |
| LM8482 | DOUBLE YOKE |
| LM9216 | WASHER |

BOMFORD

| | |
|--------------|--------------------------------------|
| LM0280101 | COLLAR |
| LM0280701 | SPACER |
| LM0281201 | FLAIL BLADE |
| LM0295901 | FORGED CUTTER FLAIL |
| LM0343701 | COLLAR |
| LM0360013605 | CUTTER SHAFT |
| LM0367525 | BOLT, NUT & WASHER, SET OF 10 PIECES |
| LM0523401 | WASHER, 44.5 X 13 X 5MM |
| LM0589501 | SHACKLE |
| LM0595905 | CIRCLIP-INT, 62MM DIAMETER |
| LM0782301 | LH ROLLER BRACKET |
| LM0782302 | RH ROLLER BRACKET |
| LM0951701 | SHACKLE CLEVIS |
| LM0952801 | FORGED FLAIL BLADE |
| LM0987805C | TUBE, 57.375 LONG |
| LM0989801 | LH ROLLER BRACKET, 150" |
| LM0989802 | RH ROLLER BRACKET, 150" |
| LM4116702 | BOLT/NUT/WASHER PAK |
| LM4189701 | LH ROLLER BRACKET |
| LM4189702 | RH ROLLER BRACKET |
| LM4295505 | ROLLER 6 DIA- 1500 |
| LM4295507SP | GROUND ROLLER, 81", OPEN ENDS |
| LM4639901 | FORGED FLAIL, 62MM |

BUSH HOG

| | |
|------------|----------------------|
| LM1007 | SEAL |
| LM11150 | BLADE |
| LM12250 | BEARING |
| LM12261 | WEAR WASHER |
| LM12263 | SPACER |
| LM12268 | HUB ASSEMBLY |
| LM143249 | CLEVIS PIN WELDMENT |
| LM20322 | LOCK WASHER |
| LM252 | PLAIN HEX JAM NUT |
| LM253 | LOCK WASHER |
| LM294 | LAMINATED TIRE/WHEEL |
| LM294SP | SOLID TIRE ASSEMBLY |
| LM36 | BLADE |
| LM462 | BLADE |
| LM463 | BLADE |
| LM464 | BLADE |
| LM50017264 | CHAIN, 5-LINK |
| LM50018334 | TURNBUCKLE PIN |
| LM50018912 | CHAIN, 4-LINK |
| LM50023286 | SOLID TIRE ASSEMBLY |

BUSH HOG

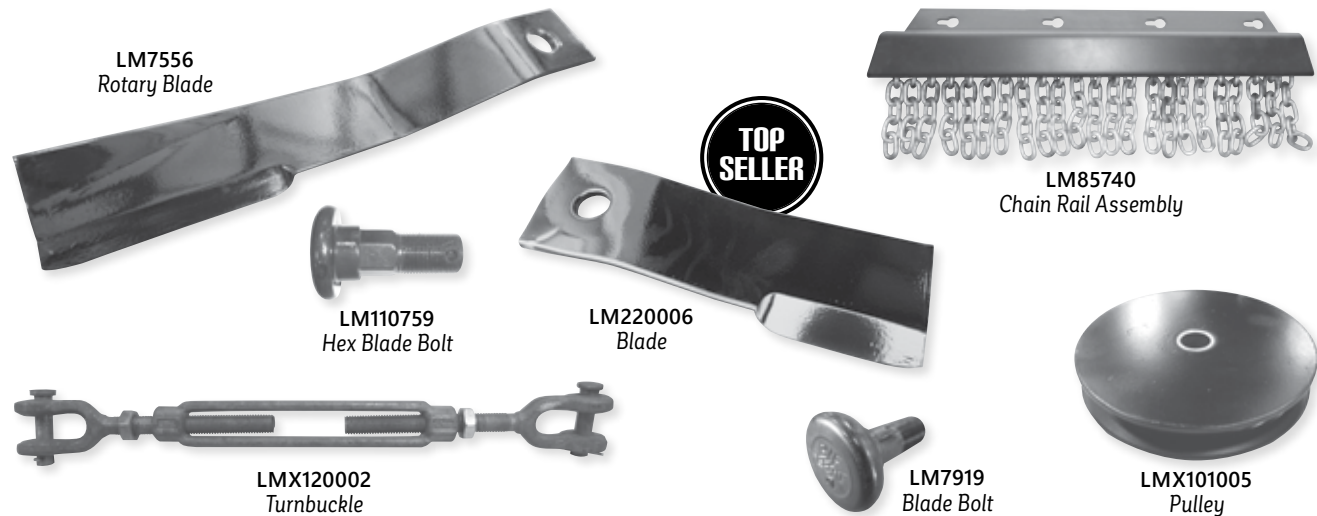
| | |
|------------|------------------------------------|
| LM50024743 | BRACKET WELDMENT |
| LM50028461 | PIVOT PIN, 1.50 X 7.50 |
| LM50028509 | ROD WELD |
| LM50031385 | SKID |
| LM50040099 | LH FRONT WING SKID SHOE |
| LM50040101 | LH REAR WING SKID SHOE |
| LM50040103 | RH FRONT WING SKID SHOE |
| LM50040105 | RH REAR WING SKID SHOE |
| LM50040387 | REMOVABLE FRONT |
| LM50040390 | REMOVABLE SKID |
| LM50050342 | YOKE |
| LM50050388 | PIVOT ARM WELDMENT |
| LM50050406 | CHAIN, 6-LINK |
| LM50054452 | RH REAR SKID |
| LM50054545 | CCW BLADE, 21.2" |
| LM50054546 | CW BLADE, 21.2" |
| LM50050587 | FRONT SKID SHOE |
| LM50050588 | REAR SKID SHOE |
| LM50068272 | CW BLADE |
| LM50068273 | CCW BLADE |
| LM50069244 | SKID SHOE |
| LM50069369 | SKID SHOE |
| LM50069371 | SKID SHOE |
| LM50069372 | SKID SHOE |
| LM50069374 | SKID SHOE |
| LM50070514 | SKID SHOE |
| LM50075401 | LAMINATED TIRE/WHEEL, 25" DIAMETER |
| LM50076524 | RH SKID SHOE |
| LM50076525 | LH SKID SHOE |
| LM50076631 | BLADE |
| LM50076632 | BLADE |
| LM50076705 | BLADE BOLT |
| LM500BH | TAILWHEEL, 4" X 8" |
| LM51A2496 | CROSS & BEARING KIT |
| LM63605 | BLADE BOLT KIT |
| LM63607 | BOLT KIT |
| LM63968 | BLADE |
| LM64644 | SLIP CLUTCH DISC |
| LM64963 | CROSS & BEARING KIT |
| LM66516 | BLADE BOLT KIT |
| LM67318 | RH WING SKID SHOE |

PART NOT LISTED? WE HAVE HUNDREDS OF ADDITIONAL PARTS AVAILABLE FOR YOUR MACHINE. CALL 800.543-6161 TODAY!

BEFORE BUYING ELSEWHERE, GET AN ABSOLUTELY FREE QUOTE FROM LACAL!

CONTACT US TODAY VIA PHONE 800.543.6161 or EMAIL SALES@LACAL.COM

THESE ARE JUST SOME OF OUR MOST REQUESTED PRODUCTS...



BUSH HOG

| | |
|----------|--------------------------|
| LM6739 | FLAT BLADE |
| LM67743 | BLADE |
| LM67744 | BLADE |
| LM69900 | CASTER SHAFT WELDMENT |
| LM7278 | BLADE |
| LM7443 | BLADE BOLT |
| LM7555 | CCW ROTARY BLADE, 24.75" |
| LM7556 | ROTARY BLADE |
| LM7557 | BLADE |
| LM76085 | INNER PLATE |
| LM76530 | C.V. DRIVELINE |
| LM76604 | CROSS & BEARING KIT |
| LM7828 | BLADE |
| LM7829 | BLADE |
| LM7919 | BLADE BOLT |
| LM83236 | FLAIL CUTTERSHAFT |
| LM85740 | CHAIN RAIL ASSEMBLY |
| LM85741 | CHAIN RAIL ASSEMBLY |
| LM85742 | CHAIN RAIL ASSEMBLY |
| LM85744 | CHAIN RAIL ASSEMBLY |
| LM85750 | CHAIN RAIL ASSEMBLY |
| LM86664 | CCW ROTARY BLADE |
| LM86665 | CW ROTARY BLADE |
| LM90014 | CW BLADE |
| LM90015 | CCW ROTARY BLADE |
| LM90242 | BLADE |
| LM91036 | BLADE |
| LM91560 | SLIP CLUTCH DISC |
| LM92007 | AXLE TUBE |
| LM92973 | CLEVIS WELDMENT |
| LM94284 | PIN WELDMENT |
| LM94299 | MOWER MOUNT, 60" |
| LM96853 | SKID SHOE KIT |
| LMBH2500 | BOLT KIT |

BUSH-WHACKER

| | |
|---------|----------------------|
| LM108 | LAMINATED TIRE/WHEEL |
| LM1712 | BOLT & NUT |
| LM20739 | BLADE |
| LM2104 | BLADE BOLT |

BUSH-WHACKER

| | |
|---------|----------------|
| LM2201 | RH SKID SHOE |
| LM2202 | LH SKID SHOE |
| LM2343 | SHOE |
| LM2413 | BLADE |
| LM2414 | BLADE BOLT |
| LM2676 | WASHER |
| LM2735 | OIL SEAL |
| LM2782 | BLADE BOLT |
| LM2783 | NUT |
| LM2784 | WASHER |
| LM3093 | CCW BLADE |
| LM3094 | CW BLADE |
| LM3095 | HEX BLADE BOLT |
| LM3096 | WASHER |
| LM3172 | BLADE |
| LM509 | SPACER |
| LM51568 | BLADE |

CALDWELL

| | |
|------------|-------------------------------|
| LM02574200 | TAPERED ROLLER BEARING |
| LM07949100 | FRICTION DISC |
| LM08040800 | TAPERED ROLLER BEARING |
| LM20835 | DISC PAD |
| LM250372 | GEAR BOX, RC-61, 1:1.46 |
| LM2877 | BEARING SET (LM2878 & LM2879) |
| LM2880 | BEARING SET (LM2881 & LM2882) |
| LM3055 | FRICTION DISC |
| LM4417 | BLADE |
| LM8319 | SPRING |
| LM8323 | FRICTION DISC |

CHAMBERS AMERICAN PRODUCTS (CAP)

| | |
|-----------|---------------------|
| LM55002A1 | CUTTERSHAFT, 62" |
| LM55005C | GROUND ROLLER, 42" |
| LM555161 | CUTTERSHAFT, 88" |
| LM555162 | CUTTERSHAFT, 100" |
| LM555182 | GROUND ROLLER, 100" |

YES, WE HAVE THE HARDWARE FOR THAT! WE OFFER A FULL COMPLEMENT OF HARDWARE FOR OUR PRODUCTS.

LACAL HAS MANY MORE ITEMS AVAILABLE – JUST ASK!

DIAMOND

| | |
|----------------|--------------------------------------|
| LM110525 | 5/8" X 2-1/2" H.S. NF HEX CAP |
| LM110756 | BOLT |
| LM110759 | HEX BLADE BOLT |
| LM111008 | NYLON LOCKNUT |
| LM111050 | HEX NUT, GR 8, SLOTTED |
| LM111501 | FLAIL BLADE CLEVIS |
| LM112046 | ROLL PIN |
| LM120007 | DOUBLE 530 V-BELT |
| LM120009 | DOUBLE 630 V-BELT |
| LM220001 | BLADE |
| LM220006 | BLADE |
| LM221005 | FLAIL BLADE |
| LM240002 | NEW STYLE 50" DISH, 1-5/8" |
| LM251071251072 | 25-1071-25-1072 PARTS |
| LM34086 | CYLINDER, 4" X 20" |
| LM370001 | COUPLER SPROCKET, 5/16" KEYWAY |
| LM370003 | CHAIN COUPLING SPROCKET |
| LM370006 | CHAIN |
| LM410030 | BAR |
| LM410076 | GROUND ROLLER, 96" X 6-5/8" DIAMETER |
| LM410185 | FLAIL FLAP BAR, 90" |
| LM410250 | DITCHER WEAR PLATE |
| LM420034 | SKID |
| LM420035 | SKID |
| LM420059 | SKID SHOE, 50" |
| LM440005 | BOLT KIT (BOLT/LOCK WASHER/LOCTITE) |
| LM440228 | BLADE KIT |
| LM460014 | GROUND ROLLER, 60" |
| LM461010 | BLADE BAR |
| LM461017 | HD GRASS CUTTER SHAFT, 50" |
| LMX100020 | BEARING PROTECTOR |
| LMX100057 | STD DUTY GROUND ROLLER BEARING |
| LMX101002 | ADJUSTABLE BEARING SLEEVE |
| LMX101005 | PULLEY |
| LMX101016 | IDLER SHEAVE |
| LMX110002 | JAM WASHER |
| LMX110503 | KNIFE MOUNTING BOLT |
| LMX110505 | SCREW |
| LMX110506 | BOLT |
| LMX110514 | HEX CAP SCREW |
| LMX111009 | BEARING LOCK NUT |
| LMX111010 | LOCK NUT |
| LMX111501 | FLAIL BLADE CLEVIS |
| LMX112002 | PIN |
| LMX120002 | TURNBUCKLE |
| LMX131007 | DRIVE SHAFT |
| LMX131014 | PUMP DRIVE SHAFT |
| LMX131501 | COUPLING |
| LMX140005 | CYLINDER, 4" X 20" |
| LMX180001 | FLAP DEFLECTOR |
| LMX180010 | FLAP |
| LMX180011 | FLAP |
| LMX180014 | DEFLECTOR |
| LMX180016 | FLAP |
| LMX180017 | FLAP |
| LMX180051 | DEFLECTOR |
| LMX220001 | BLADE |
| LMX220002 | CW STD. SUCTION BLADE |

DIAMOND

| | |
|-----------|---------------------------------|
| LMX220003 | BLADE |
| LMX220004 | CW HIGH SUCTION BLADE |
| LMX220009 | CCW STD. SUCTION BLADE |
| LMX23596 | SPACER |
| LMX240003 | SWITCH |
| LMX240004 | BOLT PROTECTOR |
| LMX270003 | CAPPED PIN |
| LMX270011 | PIN |
| LMX270502 | PIN |
| LMX270503 | PIN |
| LMX270504 | SWIVEL PIN |
| LMX270505 | PIN |
| LMX270506 | SWIVEL PIN |
| LMX271002 | PIN WITH GREASE ZERK |
| LMX271003 | PIN WITH GREASE ZERK |
| LMX271004 | PIN WELDMENT |
| LMX271007 | IDLER ARM PIN |
| LMX301031 | O-RING |
| LMX301046 | SEAL KIT |
| LMX330001 | SEALS (SET OF 2) |
| LMX340002 | BOSS |
| LMX340003 | STUB SHAFT SPACER |
| LMX340006 | KEYED BOSS |
| LMX350001 | SPINDLE |
| LMX350008 | STUB SHAFT |
| LMX370005 | SPROCKET |
| LMX410003 | GROUND ROLLER LOCK PLATE |
| LMX410004 | ADJUSTABLE HD ROLLER BRACKET |
| LMX410005 | ADJUSTING SCREW |
| LMX410006 | ADJUSTING SCREW |
| LMX410007 | TRAP DOOR |
| LMX410008 | REAR SHIELD |
| LMX410009 | ROD |
| LMX410010 | ROD |
| LMX410013 | CABLE SHEAVE BRACKET |
| LMX410014 | CYLINDER END BRACKET |
| LMX410016 | PROTECTOR TUBE |
| LMX410023 | CLEVIS W/BEARING |
| LMX410029 | PIVOT ARM |
| LMX410033 | BOOM SWIVEL BRACKET |
| LMX410034 | GROUND ROLLER BEARING CAP STRAP |
| LMX410036 | TRASH GUARD |
| LMX410038 | SWIVEL BOOM BRACKET |
| LMX410053 | BAFFLE WELDMENT, 75" |
| LMX410054 | RH IDLER ARM |
| LMX410064 | CLEVIS |
| LMX410088 | FRONT CHAIN GUARD ASSEMBLY |
| LMX410091 | BRACKET |
| LMX420001 | SKID SHOE |
| LMX420002 | LH BEARING SKID |
| LMX420004 | SKID SHOE, 1/2" |
| LMX420005 | RH BEARING SKID |
| LMX420006 | LH BEARING SKID |
| LMX420010 | OUTER SKID SHOE |
| LMX440001 | SPINDLE REPAIR KIT |
| LMX460001 | GROUND ROLLER, 75" |
| LMX460002 | GROUND ROLLER, 102" |
| LMX460003 | GROUND ROLLER, 90" |

BEFORE BUYING ELSEWHERE, GET AN ABSOLUTELY FREE QUOTE FROM LACAL!

CONTACT US TODAY VIA PHONE 800.543.6161 or EMAIL SALES@LACAL.COM

THESE ARE JUST SOME OF OUR MOST REQUESTED PRODUCTS...



EDWARDS

| | |
|-------------|----------------------|
| LM18020 | FRICITION DISC |
| LM18027 | FRICITION DISC |
| LMHM167 | BLADE MOUNTING BAR |
| LMHMB2171 | HD EDWARDS BLADE |
| LMHMB2171ST | HD "SUPER TUF" BLADE |
| LMHMB217FM | FLAIL BLADE |
| LMHMB2226B | GROUND ROLLER, 60" |
| LMHMB222772 | GROUND ROLLER 72" |
| LMHMB2228 | GROUND ROLLER, 84" |
| LMHMB2232 | SPINDLE |
| LMHMB815 | CLEVIS |
| LMHMB9041 | CLEVIS PIN |
| LMHMB9371 | BEARING |

HARDEE

| | |
|---------|--------------------------|
| LM00311 | FRICITION DISC |
| LM10421 | UPLIFT BLADE, 6-FT. DECK |
| LM11204 | SLIP CLUTCH DISC |
| LM1330 | LAMINATED TIRE |
| LM15723 | SLIP CLUTCH SPRING |
| LM98132 | SLIP CLUTCH DISC |
| LM98591 | SHAFT, RC-30 |
| LM98653 | SLIP CLUTCH SPRING |
| LMC1256 | LH BLADE |
| LMC1552 | SLIP CLUTCH DISC |
| LMC447 | SHAFT, RC-30 |
| LMC470 | BLADE |
| LMC48 | BOLT, BLADE MOUNTING |
| LMC49ND | BLADE |
| LMC50 | BLADE |
| LMC57 | FRICITION DISC |
| LMC60 | SPRING |
| LMC60A | SPRING |

JOHN DEERE

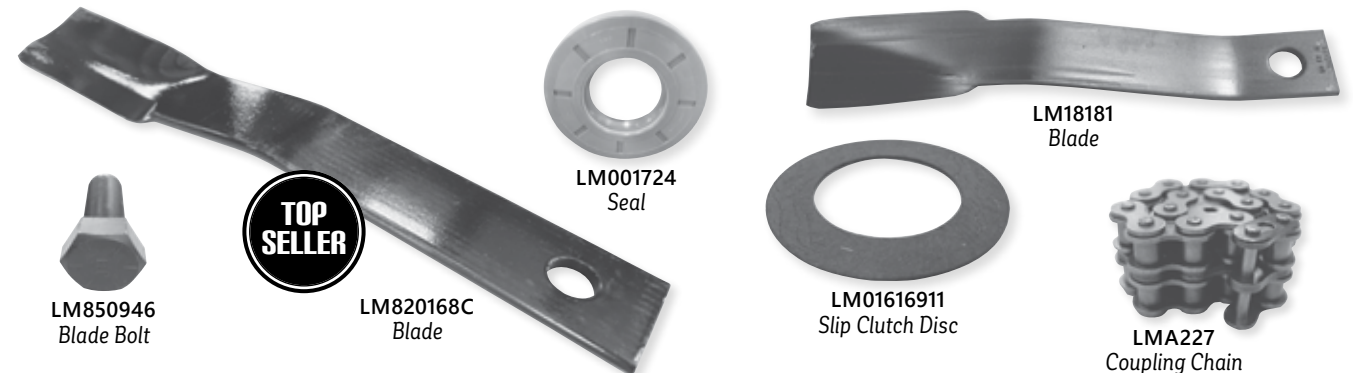
| | |
|------------|-------------------------|
| LM24H1308 | WASHER & NUT |
| LM24M7243 | WASHER |
| LM90354 | BLADE |
| LM91380 | BLADE |
| LM91389 | BLADE |
| LM92114 | BLADE |
| LMAM116071 | BUSHING KIT |
| LMAN182561 | BEARING, 2-BOLT, 1-1/4" |
| LMAW27782 | CENTER SKID SHOE |
| LMAW28264 | HANGER |

JOHN DEERE

| | |
|-------------|-------------------------------------|
| LMAW28884 | GUIDE |
| LMAW30747 | TIRE, 6" X 10" |
| LME14377 | CUTTERSHAFT BEARING SUPPORT |
| LME31900 | CUP KNIFE |
| LME31903 | FLAIL BLADE MOUNTING D-RING |
| LMFH332455 | RH SKID |
| LMFH332456 | LH SKID |
| LMH29619 | COLLAR LOCK-NUT, GR "C", ZINC |
| LMJD10387 | CUTTERSHAFT BEARING WITHOUT HOUSING |
| LMN115853 | BOLT EYE |
| LMP57925 | D-RING |
| LMP57926 | CLIP U- BAR |
| LMP57928 | FLAIL BLADE |
| LMP57935 | SKID SHOE |
| LMP66945 | CUP FLAIL BLADE |
| LMPT10430 | TOOTH WITH SHANK |
| LMTPAW30747 | TIRE, 6" X 10" |
| LMW22237 | BLADE BOLT |
| LMW34290 | BLADE |
| LMW38054 | BLADE BOLT |
| LMW38616 | STRAP |
| LMW38627 | BLADE WASHER |
| LMW38686 | BLADE BOLT |
| LMW39200 | BLADE |
| LMW41994 | SKID SHOE |
| LMW43040 | BLADE |
| LMW43465 | BLADE |
| LMW43466 | BLADE |
| LMW43490 | EYE BOLT PIN |
| LMW45313 | HITCH PIN |
| LMW45326 | CW SUCTION BLADE |
| LMW45327 | CCW SUCTION BLADE |
| LMW45401 | SKID |
| LMW45882 | RH WING SKID SHOE |
| LMW45883 | LH WING SKID SHOE |
| LMW48577 | BLADE |
| LMW48578 | BLADE |
| LMW50191 | BLADE |
| LMW50192 | BLADE |
| LMW52742 | BLADE |

PART NOT LISTED? WE HAVE HUNDREDS OF ADDITIONAL PARTS AVAILABLE FOR YOUR MACHINE. CALL 800.543-6161 TODAY!

LACAL HAS MANY MORE ITEMS AVAILABLE – JUST ASK!



KING KUTTER

| | |
|-----------|---|
| LM101057 | BLADE BOLT |
| LM190118 | ROTARY BLADE, 48" CUT |
| LM190124 | ROTARY BLADE, 60" CUT |
| LM190130 | ROTARY BLADE, 72" CUT |
| LM190230 | BLADE |
| LM501002 | BOLT KIT (2 BOLTS, NUTS & LOCK WASHERS) |
| LM501118 | BLADE SET (2 X LM190118) |
| LM501124 | BLADE SET (2 X LM190124) |
| LM501130 | BLADE SET (2 X LM190130) |
| LM502020 | TIRE/WHEEL W/AXLE BOLT |
| LMA7A5495 | BOLT KIT |
| LMKK4X8 | TIRE, 4" X 8" |

LAND PRIDE

| | |
|-----------|----------------------------------|
| LM312075D | BLADE SPACER |
| LM312082D | BLADE SPACER |
| LM312089D | BLADE SPACER |
| LM312608A | FLEX COUPLER KIT |
| LM312808D | BLADE SPACER |
| LM315752D | RH THREAD BLADE BAR |
| LM326847C | BLADE SPACER |
| LM331120H | HARDENED WING SKID SHOE |
| LM802277C | BLADE BOLT |
| LM804067C | LOCK WASHER |
| LM814058C | TIRE & WHEEL |
| LM814059C | TAILWHEEL |
| LM814265C | TAILWHEEL |
| LM820090C | BLADE |
| LM820092C | CCW BLADE, 1/2" X 4" X 25.75" |
| LM820112C | BLADE |
| LM820137C | BLADE |
| LM820138C | BLADE |
| LM820168C | BLADE |
| LM820169C | BLADE |
| LM820170C | BLADE |
| LM820249C | CW CUTTER BLADE, 1/2" X 4" X 29" |
| LM822006C | BEARING |

MOHAWK

| | |
|------------|------------------|
| LM01219105 | OIL SEAL |
| LM01616911 | SLIP CLUTCH DISC |
| LM12180 | BLADE BOLT |
| LM12181 | NYLON INSERT NUT |
| LM1219023 | OIL SEAL |
| LM1219025 | RETAINING RING |

MOHAWK

| | |
|------------|----------------------|
| LM1219111 | RETAINING RING |
| LM1229005 | FRICITION DISC |
| LM1229008 | SPRING |
| LM13127 | SPIDER |
| LM13128 | DISC PAD |
| LM15FE001L | LH CENTER SKID SHOE |
| LM15FE001R | RH CENTER SKID SHOE |
| LM15FE002 | LH/RH WING SKID SHOE |
| LM16166 | BLADE |
| LM16168AL | BLADE |
| LM18181 | BLADE |
| LM33406 | LAMINATED WHEEL |
| LM50100127 | SLIP CLUTCH DISC |
| LM50800029 | CW BLADE |
| LM50800030 | CCW BLADE |
| LM51900040 | LAMINATED WHEEL |
| LM6809 | BLADE BOLT BUSHING |
| LM78035 | SHAFT, RC-30 |

MONO

| | |
|------------|--------------------------------------|
| LM7A5495 | BOLT KIT (BOLT, NUT & WASHER) |
| LM850500 | BLADE |
| LM850517 | BLADE |
| LM850568 | BLADE |
| LM850946 | BLADE BOLT |
| LM850946BK | BOLT KIT (BLADE BOLT, BUSHING & NUT) |
| LM941667 | 1"-14 HEX SLOTTED JAM NUT, GR5 |

MOTRIM

| | |
|----------|---|
| LM000398 | BALL BEARING |
| LM000539 | TENSION SPRING |
| LM000547 | IDLER PULLEY |
| LM001724 | SEAL |
| LM001767 | DRIVE BELT |
| LM001863 | PTO DRIVELINE W/ SLIP CLUTCH |
| LM002486 | ROLLER BEARING, HEX BORE |
| LM100706 | V-BELT |
| LMA1022 | BLADE |
| LMA163 | PLAIN HEX JAM NUT, GR 5, 1-1/2-6" |
| LMA2 | BUSHING |
| LMA211 | MOTOR KEY, 1/4" X 3/8" X 1", ROUNDED ENDS |
| LMA213 | BLADE |
| LMA223 | MOTOR KEY |
| LMA2262 | SPROCKET WITH 2 KEYWAYS |
| LMA227 | COUPLING CHAIN |

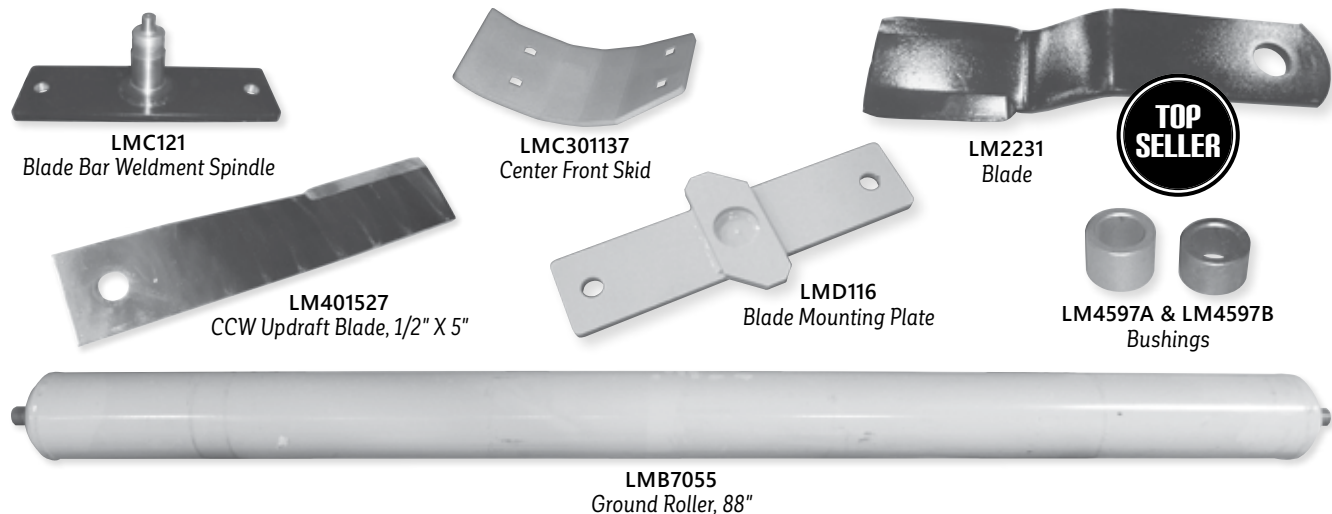
BEFORE BUYING ELSEWHERE, GET AN ABSOLUTELY FREE QUOTE FROM LACAL!

CONTACT US TODAY VIA PHONE 800.543.6161 or EMAIL SALES@LACAL.COM

ALL PARTS ARE GUARANTEED TO MEET WITH YOUR APPROVAL. Local Equipment, Inc. offers after-market parts for road and highway maintenance equipment. All original equipment manufacturer's names, drawings, colors and part numbers are used for identification purposes only. Local is in no way implying that any of our products are original equipment parts.

ALL PARTS ARE GUARANTEED TO MEET WITH YOUR APPROVAL. Local Equipment, Inc. offers after-market parts for road and highway maintenance equipment. All original equipment manufacturer's names, drawings, colors and part numbers are used for identification purposes only. Local is in no way implying that any of our products are original equipment parts.

THESE ARE JUST SOME OF OUR MOST REQUESTED PRODUCTS...



MOTRIM

| | |
|-----------|----------------------------------|
| LMA234 | TIE DOWN NUT |
| LMA245 | WASHER |
| LMA249 | FELT WASHER |
| LMA260 | TAPERED ROLLER BEARING |
| LMA261 | TAPERED ROLLER BEARING |
| LMA310 | TRUNION PIN |
| LMA318 | RETAINING PIN |
| LMA320 | HINGE PIN |
| LMA325 | BUSHING |
| LMA351 | BLADE |
| LMA363 | HINGE PIN |
| LMA445 | BLADE BOLT |
| LMA452S1 | BLADE BOLT W/HOLE & JAM NUT |
| LMA614 | PIN |
| LMA7018 | COUPLER SPROCKET, 5/16" KEYWAY |
| LMA7110 | BLADE BOLT |
| LMA7123 | EXTENSION SHAFT |
| LMA7138 | PIN |
| LMA714 | SPRING LEVER |
| LMA715 | EYE BOLT W/NUTS |
| LMA7202 | BELT |
| LMA7332 | HINGE PIN |
| LMA842 | SLOTTED HEX NUT |
| LMA859 | BLADE BOLT W/DRILLED HOLE |
| LMA994 | SPEC. SLOTTED HEX NUT, 3/4" HIGH |
| LMB118 | LH NUT, 2" |
| LMB7049SL | LH SHORT SKID SHOE |
| LMB7049SR | RH SHORT SKID SHOE |
| LMB7055 | GROUND ROLLER, 88" |
| LMB7063 | PTO SHAFT |
| LMB706574 | RUBBER DEFLECTOR, (MODEL 74) |
| LMB7067 | GROUND ROLLER, 74" |
| LMC121 | BLADE BAR WELDMENT SPINDLE |
| LMC1240 | BOLT & NUT |
| LMC7020 | RIGHT SIDE ARM |
| LMD116 | BLADE MOUNTING PLATE |
| LMD117 | SHAFT, 26" |
| LMD52 | BLADE BAR |
| LMD700028 | LINK PIN |

MOTRIM

| | |
|-----------|--------------------|
| LMD700030 | LINK PIN |
| LMD700031 | LINK PIN |
| LMD7012 | BLADE BAR |
| LMD7032SP | FLAIL CUTTERSCHAFT |
| LMD70351 | CUTTERSCHAFT, 92" |
| LMD7036 | CUTTERSCHAFT, 78" |
| LMD7069 | GROUND ROLLER, 88" |
| LMD71S1 | BOLT & NUT |
| LMD71S2 | BOLT & NUT |
| LMD75 | HUB ASSEMBLY |
| LM07069 | GROUND ROLLER |

ROANOKE

| | |
|---------|------------------------------|
| LM02932 | SPROCKET, 1-3/8 X 10B SPLINE |
| LM02944 | SPROCKET, 10TH, 1-1/4" |
| LM03433 | SPINDLE WELDMENT |
| LM04595 | SPINDLE HUB |
| LM04801 | SPROCKET |
| LM2231 | BLADE |
| LM2944 | SPROCKET |
| LM32064 | SPACER BAR |
| LM32065 | BLADE BAR |
| LM35208 | SPROCKET, 14" SPLINE |
| LM36719 | BLADE BOLT |
| LM36720 | BLADE BAR MOUNTING BOLT |
| LM40544 | BLADE BOLT |
| LM40619 | NYLON LOCKNUT |
| LM4597 | SEE 4597A OR 4597B |
| LM4597A | BUSHING, 1-1/8" |
| LM4597B | BUSHING, 15/16" |
| LM4599 | COUPLING CHAIN |
| LM4801 | SPROCKET |
| LM4803 | SPACER |
| LM4804 | SEAL RETAINER PLATE |
| LM4943 | PIN |
| LM5931 | BEARING |
| LM5932 | BEARING LOCKNUT |
| LM5933 | BEARING LOCKWASHER |
| LM5955 | SEAL |

LACAL HAS MANY MORE ITEMS AVAILABLE – JUST ASK!

SCHULTE

| | |
|-------------|--------------------------------------|
| LM02978566 | BLADE SET (2 X LM401017) |
| LM15016 | PIVOT PIN WALKING BEAM |
| LM207015 | TAPERED ROLLER BEARING |
| LM207016 | TAPERED RACE |
| LM207021 | SEAL |
| LM207022 | DUST CAP CTD, 2.443" OD |
| LM207027H | DUST CAP |
| LM210003 | TAILWHEEL |
| LM251007 | BLADE BOLT |
| LM251018 | PENTAGON BLADE BOLT |
| LM251020 | BUSHING |
| LM251101 | BLADE BOLT & NUT KIT |
| LM251103 | BLADE BOLT & NUT, 7/8" THICK |
| LM251201 | BLADE BOLT & NUT KIT |
| LM256068 | MACHINE BUSHING, 1-1/32" X 2" X 7 GA |
| LM257003 | LOCK NUT, NYLON, GR 8, SPECIAL |
| LM264014 | RETAINING RING, 4" EXTERNAL |
| LM331824 | OIL SEAL |
| LM3413501 | FRICTION DISC |
| LM3416014 | BOLT & NUT, (1 EA), 10 X 55MM, GR8.8 |
| LM3416228 | CLUTCH DISC LINING |
| LM3416236 | SHIELD |
| LM3416247 | CLUTCH DISC LINING |
| LM341631 | SLIP CLUTCH DISC |
| LM341633 | BOLT, NUT & LOCK WASHER |
| LM3416527 | BOLT M12X80 & NUT |
| LM341801 | TAPERED PIN & NUT, 1-3/8 SHAFT |
| LM34180182 | OUTER SHIELD SUPPORT |
| LM34180197 | CARDAN TUBE & PIVOT |
| LM352525 | BEARING |
| LM401017 | BLADE |
| LM401026 | LOW LIFT BLADE |
| LM401027 | LOW LIFT BLADE |
| LM401028 | LOW LIFT BLADE |
| LM401032 | LOW LIFT BLADE |
| LM401039 | BLADE |
| LM401046 | CW HIGH LIFT BLADE |
| LM401047 | HIGH LIFT BLADE |
| LM401048 | HIGH LIFT BLADE |
| LM401052 | BLADE, HIGH LIFT |
| LM401526 | UPDRAFT CW BLADE, 1/2" X 5" |
| LM401527 | CCW UPDRAFT BLADE, 1/2" X 5" |
| LM401528 | CCW UPDRAFT BLADE, 1/2" X 5" |
| LM401532 | CW UPDRAFT BLADE, 1/2" X 5" |
| LM5201075 | HEAVY HUB PAN, 5-FT. |
| LM618001 | BUSHING |
| LM803001SCH | SPACER SLEEVE WALKING AXLE |
| LMA101153 | BEARING STAND |
| LMA101156 | BEARING STAND MOUNT |
| LMC120106 | REAR SKID SHOE |
| LMC301136 | SKID |
| LMC301137 | CENTER FRONT SKID |
| LMC301147 | HINGE PIN, 14-27/32" |
| LMC301203 | HINGE PIN |
| LMC301207 | RIGHT WING GEARBOX PIVOT SHIELD |
| LMC301352 | RH STD. WING WHEEL, NO SEALGUARD |
| LMC301551 | CHAIN GUARD DOUBLE CENTER FRONT MID |
| LMC301553 | CHAIN GUARD DOUBLE CENTER REAR CTR |

SERVIS-RHINO

| | |
|-------------|-------------------------------------|
| LMC301555 | CHAIN GUARD DOUBLE WING FRONT |
| LMC301556 | CHAIN GUARD DOUBLE WING REAR INBRD |
| LMC301557 | CHAIN GUARD DOUBLE WING REAR CENTER |
| LMC302106 | SKID |
| LMC302107 | SKID |
| LMC306136 | REAR SKID WING |
| LMC306149 | PIN, 1" DIAMETER CENTER WHEEL STD |
| LMC310135 | OUTER WING SKID STANDARD |
| LMC502136 | RIGHT WING FRONT SKID |
| LMC502137 | LEFT WING FRONT SKID |
| LMC502141 | HINGE PIN, 9" |
| LMCS01134 | PIN, 1" X 4-11/16" |
| LM00162805 | TONGUE PIN |
| LM001716 | SPACER |
| LM00681094 | DISC PAD |
| LM00725970P | RHINO ORC-6-15 |
| LM00748536 | INPUT SEAL (GEARBOX) |
| LM00752903 | BOLT, NUT & LOCK WASHER - M12 X 65" |
| LM00754315 | SLIP CLUTCH SPRING |
| LM00754316 | BOLT W/ELASTIC TLN - M10 X 80 |
| LM00754627 | SNAP RING |
| LM00754949 | ZINC HEX NUT, 2-3/4" LONG |
| LM00755230 | TONGUE WELDMENT, 2 CONTROL RODS |
| LM00755234 | CONTROL SPACER KIT |
| LM00755264 | BUSHING WELDMENT |
| LM00756492 | DUST CAP |
| LM00756493 | WASHER |
| LM00756580 | INTERMEDIATE DRIVELINE ASSEMBLY |
| LM00757829 | TWISTED CENTER BLADE |
| LM00757830 | TWISTED RIGHT WING BLADE |
| LM00757833 | CCW TWISTED BLADE |
| LM00758831 | LEVELER WELDMENT (S/R) |
| LM00759338 | BLADE |
| LM00759339 | BLADE |
| LM00759495 | CCW UPDRAFT BLADE |
| LM00760335 | RH OUTER AXLE WELDMENT |
| LM00763996 | RH SKID SHOE |
| LM00764020 | LH SKID SHOE |
| LM00769799 | SHIM KIT |
| LM00769938 | BEARING CUP & CONE, OUTPUT |
| LM00775191 | GEARBOX SHIELD DIVIDER |
| LM00775192 | WELDMENT DIVIDER |
| LM00775233 | BLADE SET (2 X 00775233A) |
| LM00775233A | BLADE |
| LM00775267 | BLADE SET (2 X 00775267A) |
| LM00775267A | CCW BLADE |
| LM00775338 | HEX CAPSCREW, M12, 8.8, FINE |
| LM00775502 | RH REAR DEFLECTOR WELDMENT |
| LM00775568 | SKID SHOE |
| LM00775616A | HUB & SPINDLE ASSEMBLY |
| LM00775942 | WELDMENT LINK |
| LM00775952 | FLAT BAR LINK |
| LM00777951 | FLOATING LINK WELDMENT |
| LM00779123 | CONE & BEARING ASSEMBLY |

PART NOT LISTED? WE HAVE HUNDREDS OF ADDITIONAL PARTS AVAILABLE FOR YOUR MACHINE. CALL 800.543-6161 TODAY!

BEFORE BUYING ELSEWHERE, GET AN ABSOLUTELY FREE QUOTE FROM LACAL!

CONTACT US TODAY VIA PHONE 800.543.6161 or EMAIL SALES@LACAL.COM

THESE ARE JUST SOME OF OUR MOST REQUESTED PRODUCTS...

SERVIS-RHINO

| | |
|---------------|----------------------------------|
| LM00779220 | CLEVIS SPACER |
| LM00779222 | SWIVEL BASE WELDMENT |
| LM00779226 | OUTER TUBE WELDMENT |
| LM00779229 | SWIVEL SHAFT WELDMENT |
| LM00779232 | SWIVEL HITCH ASSEMBLY |
| LM00779283 | HARDENED BLADE WEAR WASHER |
| LM00779439 | GEARBOX SHIELD WELDMENT |
| LM00791382 | BLADE |
| LM00791383 | CCW BLADE |
| LM00791384 | CCW BLADE |
| LM00791602 | BLADE |
| LM02960558 | BEARING RING |
| LM02962030 | SPINDLE BEARING LOCKNUT |
| LM02962310 | CG 5 DUAL REAR V/M ASSEMBLY |
| LM02962963 | DIAL INDICATOR-IN TANK FILTER |
| LM02964028 | PUSH/PULL SWITCH |
| LM02967325 | PULLEY |
| LM02967328 | QD BUSHING |
| LM05810310 | OIL SEAL |
| LM0582010330 | BLADE |
| LM0582010332 | BLADE |
| LM0582010332P | BLADE |
| LM0622000001 | SKID SHOE, 1-PC. |
| LM0622010330 | CCW FAN BLADE |
| LM0652010030 | BLADE |
| LM0652010330 | CW FAN BLADE |
| LM0656150200 | HARDENED WASHER WITH SQUARE HOLE |
| LM073130010 | BLADE |
| LM100232 | SHIM |
| LM100236 | SHIM |
| LM100237 | SHIM |
| LM100238 | SHIM |
| LM100239 | SHIM |
| LM100240 | SHIM |
| LM371102B | BLADE |
| LM571044 | BLADE BOLT |
| LM571045 | WASHER (BLADE ASSEMBLY) |
| LM5D20120 | PLAIN SLOTTED HEX NUT, 1-1/4-12" |
| LM5GL16140 | LH HEX NUT, 1-14 |
| LM651062D | SPRING BASE PIVOT BUSHING |
| LM65203L | LH SKID SHOE |
| LM65203R | RH SKID SHOE |
| LM681094 | DISC PAD |
| LM703695 | CUTTERSHAFT BEARING & HOUSING |
| LM704305 | BEARING ASSEMBLY |
| LM8588 | BLADE |
| LM8589 | BLADE |
| LM8590 | BLADE |
| LM8949 | SHIELD CONE |
| LM8974 | SUPPORT BEARING |

SIDEWINDER

| | |
|-----------|-----------------------|
| LM11374 | DISC PAD, 6" DIAMETER |
| LM15056SW | BEARING CUP |
| LM15057SW | BEARING CONE |
| LM15060BK | BLADE BOLT & NUT |
| LM15060SW | BLADE MOUNTING BOLT |
| LM15148SW | BALL BEARING |

SIDEWINDER

| | |
|-----------|----------------------------------|
| LM15161SW | EXPANSION PLUG |
| LM15306SW | OIL SEAL |
| LM15436SW | FRICTION DISC |
| LM15607 | BEARING |
| LM16196BK | BOLT KIT |
| LM16197SW | BLADE BOLT BUSHING, 3/8" BLADES |
| LM17122 | LAMINATED TIRE/WHEEL |
| LM17122SW | LAMINATED TIRE/WHEEL |
| LM18175SW | OIL SEAL |
| LM18309SW | CLUTCH FRICTION DISC |
| LM18311SW | FRICTION DISC |
| LM18311SW | SLIP CLUTCH SPRING |
| LM18365SW | OIL SEAL |
| LM20035SW | OIL SEAL |
| LM20040SW | RETAINING RING |
| LM20436SW | SPIDER |
| LM20438SW | DISC PAD, 6" DIAMETER |
| LM21299 | SHAFT |
| LM21299SW | SHAFT |
| LM21301SW | BLADE |
| LM21521SW | RETAINING RING |
| LM21523SW | OIL SEAL |
| LM22132SW | BUSHING, BLADE BOLT, 1/2" BLADES |
| LM22334 | BLADE |
| LM26377SW | LH A-FRAME |

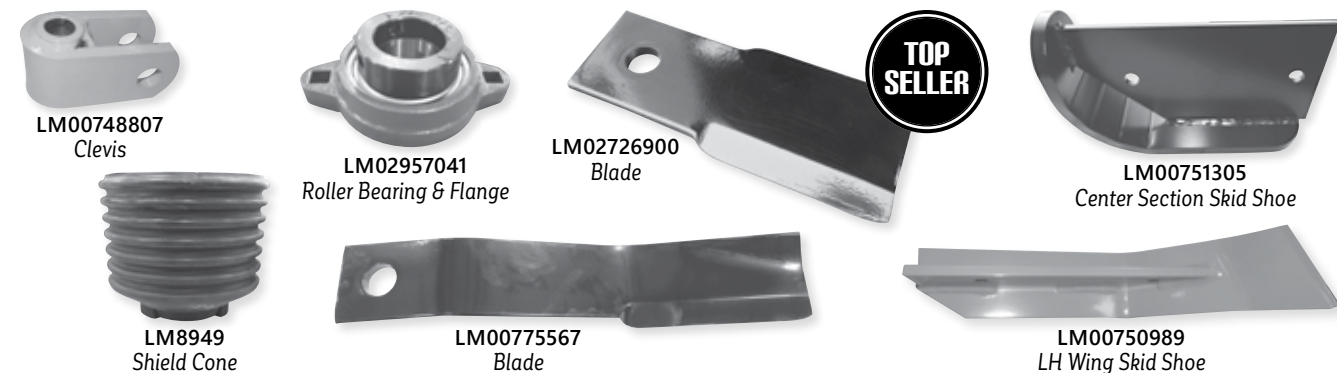
SUNMASTER

| | |
|----------|------------------------------|
| LM24150 | SPINDLE NUT |
| LM26420 | DOUBLE END COUPLING |
| LM32100 | BLADE BUSHING |
| LM38130 | SUNMASTER SPINDLE WELDMENT |
| LM56430 | BEARING |
| LM56450 | SEAL |
| LM63308 | BELT TIGHTENER WELD ASSEMBLY |
| LM63918 | BLADE |
| LM66754 | BLADE BOLT W/HOLE |
| LM67334 | BOLT KIT |
| LMR31850 | SPECIAL BLADE BOLT |

TERRAIN KING

| | |
|------------|--------------------------------------|
| LM00017200 | PLAIN HEX SLOTTED NUT |
| LM00020900 | HEAVY SLOTTED HEX NUT, ZINC |
| LM00025200 | LAMINATED TIRE/WHEEL W/TREAD, 5-HOLE |
| LM00127028 | BLADE |
| LM00137200 | SPECIAL WASHER (BLADE ASSEMBLY) |
| LM00156503 | BOLT |
| LM00167700 | BLADE BOLT W/HOLE |
| LM00168300 | OUTPUT SHAFT |
| LM00179600 | CROSS & BEARING KIT |
| LM00189700 | CROSS & BEARING KIT |
| LM002037 | ROLLER BEARING NEOPRENE SEAL |
| LM00735900 | BLADE BOLT |
| LM00748520 | SHIM PACKAGE (4 SHIMS) |
| LM00748531 | SHIM PACKAGE (3 SHIMS) |
| LM00748807 | CLEVIS |
| LM00748831 | SPRING |
| LM00748833 | FRICTION DISC |
| LM00749172 | DISC PAD |
| LM00749489 | OIL SEAL |

LACAL HAS MANY MORE ITEMS AVAILABLE – JUST ASK!



TERRAIN KING

| | |
|-------------|-----------------------------|
| LM00749500 | RETAINING RING |
| LM00749501 | OIL SEAL |
| LM00750121 | BLADE |
| LM00750479 | HEX BOLT |
| LM00750602 | CYLINDER SEAL REPAIR KIT |
| LM00750731 | BUSHING |
| LM00750787D | BLADE |
| LM00750787S | CW LIFT BLADE |
| LM00750788D | BLADE |
| LM00750788S | CCW LIFT BLADE |
| LM00750989 | LH WING SKID SHOE |
| LM00750993 | RH WING SKID SHOE |
| LM00751305 | CENTER SECTION SKID SHOE |
| LM00752827 | BLADE BOLT |
| LM00753068 | CROSS BEARING KIT, SERIES 8 |
| LM00753179 | RH SKID SHOE |
| LM00753180 | LH SKID SHOE |
| LM00754083 | YOKE |
| LM00754199 | METRIC BOLT & LOCK NUT SET |
| LM00754202 | SLIP CLUTCH DISC |
| LM00754294 | BLADE |
| LM00754314 | PLATE WITH HOLES |
| LM00755021 | LEVEL ROD WELDMENT |
| LM00755044 | LEVEL LIFT SWIVEL BAR |
| LM00755276 | RETAINING ROD, 1/4" X 72" |
| LM00755566 | COMER GEAR BOX |
| LM00755615 | BEARING |
| LM00755623 | WASHER |
| LM00755624 | PLAIN SLOTTED HEX JAM NUT |
| LM00756445 | DUAL AXLE ARM |
| LM00756639 | SKID SHOE SET WITH HARDWARE |
| LM00757069 | RH SKID SHOE |
| LM00757577 | AXLE WELDMENT PIN |
| LM00758579 | WASHER |
| LM00758653 | INPUT OIL SEAL |
| LM00758674 | OUTPUT SHAFT SEAL |
| LM00759203 | RH SKID SHOE |
| LM00759204 | LH SKID SHOE |
| LM00759862 | DEFLECTOR |
| LM00760245 | INNER HALF SHAFT |
| LM00760336 | LH OUTER AXLE WELDMENT |
| LM00760452 | PTO DRIVELINE |
| LM00763596 | SKID SHOE |
| LM00764023 | SKID SHOE |

TERRAIN KING

| | |
|----------------|-----------------------------------|
| LM00775567 | BLADE |
| LM00776973A | BLADE |
| LM02032300 | BUSHING |
| LM02707600 | SEAL |
| LM02724500 | KEY, 5/16" SQ X 1-1/4" |
| LM02726900 | BLADE |
| LM02781600 | BLADE BAR TOP LEAF |
| LM02781700 | BLADE BAR MIDDLE LEAF |
| LM02781800 | BLADE BAR BOTTOM LEAF |
| LM02782000 | SOCKET HEAD C.S., 3/4-10 X 3-3/4" |
| LM02782900 | BLADE BOLT |
| LM02782900BK | BOLT KIT |
| LM02782900BKTT | BOLT KIT |
| LM02782900K | BOLT KIT |
| LM02817100 | BEARING ASSEMBLY (CUP & CONE) |
| LM02875400 | DITCHER DISK, STD. ROTATION |
| LM02880100 | CABLE ASSEMBLY |
| LM02880700 | EXTENSION ARM PIN |
| LM02880800 | CYLINDER DEAD END PIN |
| LM02885600 | ROUND HOLE SKID SHOE |
| LM02885600HD | HD SKID SHOE |
| LM02885700 | FLAP |
| LM02886200 | BLADE |
| LM02929957 | RUBBER FLAP |
| LM02930100 | DEAD END CYLINDER PIN |
| LM02930200 | LINKAGE PIN |
| LM02954200 | BLADE BAR & BLADES ASSEMBLY |
| LM02956707 | FLAIL AXE BLADE |
| LM02956712 | FLAP |
| LM02956741 | BOOM REAR ROLLER WELDMENT |
| LM02956748 | RH SKID SHOE WELDMENT |
| LM02956821 | KING PIN WELD & BUSHING |
| LM02956830 | REAR TURNING ARM ASSEMBLY |
| LM02956837 | GREASE SEAL |
| LM02956943 | HEAT TREATED BUSHING |
| LM02956949 | HANGER BOLT, GR 8, 1" THD. LGT. |
| LM02957008 | BEARING CUP & CONE ASSEMBLY |
| LM02957041 | ROLLER BEARING & FLANGE |
| LM02957157 | INNER BEARING HOUSING |
| LM02957161 | OUTER BEARING HOUSING |
| LM02957166 | HOUSING COVER |
| LM02957167 | BEARING |
| LM02957168 | BEARING ADAPTER |
| LM02957169 | SEAL |

BEFORE BUYING ELSEWHERE, GET AN ABSOLUTELY FREE QUOTE FROM LACAL!

ALL PARTS ARE GUARANTEED TO MEET WITH YOUR APPROVAL. Local Equipment, Inc. offers after-market parts for road and highway maintenance equipment. All original equipment manufacturer's names, drawings, colors and part numbers are used for identification purposes only. Local is in no way implying that any of our products are original equipment parts.

CONTACT US TODAY VIA PHONE 800.543.6161 or EMAIL SALES@LACAL.COM

ALL PARTS ARE GUARANTEED TO MEET WITH YOUR APPROVAL. Local Equipment, Inc. offers after-market parts for road and highway maintenance equipment. All original equipment manufacturer's names, drawings, colors and part numbers are used for identification purposes only. Local is in no way implying that any of our products are original equipment parts.

THESE ARE JUST SOME OF OUR MOST REQUESTED PRODUCTS...



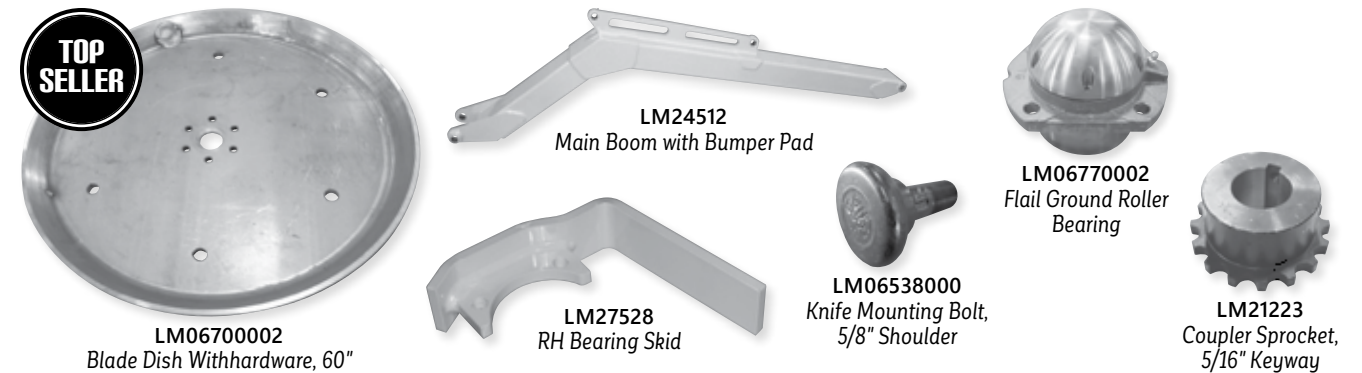
TERRAIN KING

| | |
|---------------|-------------------------------------|
| LM02957173 | SEAL |
| LM02957177 | CUTTERSHAFT WASHER |
| LM02957331 | RH SKID SHOE |
| LM02957332 | LH SKID SHOE |
| LM02957347 | HARDENED BUSHING |
| LM02957348 | BEARING SPACER |
| LM02957350 | FLAP |
| LM02957380 | SIDE GUARD |
| LM02957407 | BLADE BAR WELDMENT |
| LM02957458 | FLAP |
| LM02957478 | CARRIER & BLADES ASSEMBLY |
| LM02957496 | REAR FLAP RETAINER |
| LM02957501 | BUSHING, 1-3/8" O.D. X 1" I.D. X 1" |
| LM02957535 | LINKAGE PIN |
| LM02957655M | FLAIL AXE CUTTERSHAFT ASSEMBLY |
| LM02957655M1 | BARE FLAIL AXE CUTTERSHAFT |
| LM02957655MAA | KNIFE MOUNTING PLATE WITH BUSHING |
| LM02958089 | BUMPER |
| LM02958131A | CUTTERSHAFT BEARING & FLANGE |
| LM02958345 | BUSHING, 1-1/2" X 1-1/4" X 4-7/8" |
| LM02958540 | FLAIL AXE BLADE SET, 16-PC. |
| LM02958591 | MAIN WELDMENT PIN, NEW STYLE |
| LM02958595 | PUMP |
| LM02958666 | HITCH POST (VERSA) |
| LM02958675 | DITCHER BLADE |
| LM02958680 | BLADE MOUNTING WELDMENT |
| LM02959401 | BLADE BAR SPACER, 1-1/4" |
| LM02959463 | COVER WELDMENT |
| LM02959630 | SKID SHOE |
| LM02959891 | BUSHING, NOM. 1-1/4" X 1" X 7/8" |
| LM02959952 | FRONT GUARD |
| LM02959956 | RUBBER FLAP |
| LM02959957 | RUBBER FLAP |
| LM02960458 | PIN |
| LM02960545 | BELT GUARD WELDMENT |
| LM02960557 | SPINDLE BEARING ASSEMBLY |
| LM02960559 | OIL SEAL |
| LM02960650 | BUSHING, 1-1/4" X 1" X 1-1/2" |
| LM02960882 | RH SKID SHOE |
| LM02960883 | LH SKID SHOE |
| LM02960885 | DEFLECTOR |
| LM02960886 | DEFLECTOR |
| LM02961001 | FILTER ELEMENT |
| LM02961129 | DIPPER WELDMENT SECTION |

TERRAIN KING

| | |
|---------------|--|
| LM02961263 | SOLENOID COIL |
| LM02961452 | O-RING |
| LM02962473 | SKID SHOE |
| LM02962635 | BLADE |
| LM02962636 | BLADE BAR TOP LEAF |
| LM02962637 | BOTTOM LEAF BLADE BAR |
| LM02962721 | BLADE BAR ASSEMBLY, 50" |
| LM02962722 | BLADE SET (3 X LM02962635) |
| LM02962774 | HYD. ELBOW ADAPTER |
| LM02963467 | BUSHING, 1-1/4" O.D. X 1" I.D. X 3/4" LG |
| LM02963505 | PIN LINKAGE (GREASABLE) |
| LM02964161 | BUSHING |
| LM02964162 | SPACER |
| LM02964330 | BLADE BOLT |
| LM02964330BK | BOLT KIT |
| LM02964330K | BOLT KIT |
| LM02964456 | BLADE PAN WITH HARDWARE KIT |
| LM02964557 | SKID SHOE |
| LM02964804 | BLADE PAN WITH SPIDER & HARDWARE |
| LM02964815 | BUSHING |
| LM02964824 | BLADE |
| LM02964960 | BLADE SET OF 3 |
| LM02965229 | BLADE WASHER |
| LM02965536 | MAIN PIN BUSHING |
| LM02965548 | TEFLON BUSHING |
| LM02965751 | SKID SHOE |
| LM02966756 | CYLINDER PIN WELDMENT |
| LM02966757 | PIN WELDMENT |
| LM02966767 | PIN WELDMENT |
| LM02966792 | MAIN PIN BUSHING, 3/4" X 1" X 1-7/8" |
| LM02966899 | SKID SHOE |
| LM02966935 | TILT CYLINDER PIN WELDMENT |
| LM02966936 | DIPPER PIN W/NUT & WASHER |
| LM02966964 | PIN WELDMENT |
| LM02967008 | SPACER |
| LM02967013 | DIPPER CYLINDER PIN |
| LM02967021 | LINKAGE ARM ASSEMBLY |
| LM02968532 | FLAIL AXE BLADE KIT W/HARDWARE |
| LM02968803 | BUSHING |
| LM02968804 | BUSHING |
| LM02969230 | BLADE BAR ASSEMBLY W/BLADES |
| LM02969230KIT | BLADE BAR KIT W/BLADES |
| LM02970325 | BELT & PULLEY COVER PLATE |
| LM02970540 | BOOM ROLLER WELDMENT |

LACAL HAS MANY MORE ITEMS AVAILABLE – JUST ASK!



TERRAIN KING

| | |
|---------------|--------------------------------------|
| LM02970585 | LH SKID SHOE WELDMENT |
| LM02970586 | WASHER, 2" O.D. X 7/16" I.D. X 3/16" |
| LM02971199 | 102" CABLE, VALVE REMOTE CONT |
| LM02971705 | PIN WELDMENT |
| LM02974005 | ELECTRICAL ACTIVATION MODULE |
| LM02975229 | BA60 DOOR FLAP, SQUARE ENDS |
| LM02975230 | BA60 DOOR FLAP, TRIANGLE END |
| LM02975902 | BLADE |
| LM02975903 | BLADE SET (3 X LM02975902) |
| LM02977728 | GEARBOX MOUNTING FRAME WELDMENT |
| LM02978563 | BLADE BOLT BUSHING |
| LM02978568 | BLADE BOLT & NUT ASSEMBLY |
| LM065202 | BUSHING |
| LM2500W | BLADE BOLT KIT |
| LM2501 | BOLT KIT |
| LM34802966899 | SKID SHOE |
| LM748833 | FRICTION DISC |
| LM7520A | BLADE |

TIGER

| | |
|--------------|--------------------------------------|
| LM06200347 | FLAIL STRING GUARD KIT |
| LM06310003 | REAR STOW SWIVEL |
| LM06400388 | BLADE BAR, TRB |
| LM06400690 | BLADE BAR, RTRY60 |
| LM06401245 | SKID SHOE, RTRY60 |
| LM06410254 | HEAT TREATED SKID SHOE |
| LM06410254HD | HD SKID SHOE, 1/2", MILD STEEL |
| LM06410254SP | MILD STEEL SKID SHOE (NO HEAT TREAT) |
| LM06420006 | DRIVE SHAFT SPACER, TSA 100-135 |
| LM06420013 | PIN, 1.50 X 19.88, W/Ø.47, NIT |
| LM06420016 | PIN |
| LM06420019 | PIN |
| LM06420021 | PIN |
| LM06420022 | PIN, 1.50" X 12.00" WITH .047 NIT |
| LM06501022 | CYLINDER, 4" X 20" |
| LM06520027 | GROUND ROLLER BEARING CAP |
| LM06520028 | FLANGE BEARING, 1-3/8" |
| LM06520029 | O-RING, 2-3/4" X 3/32" |
| LM06520085 | CENTER FLAP, TSR |
| LM06520238 | DEFLECTOR FLAP, RTRY 60 |
| LM06521000 | BLADE |
| LM06521001 | BLADE |
| LM06521002 | BLADE, TRB50 5/8 SUCTION |
| LM06521007 | FLAIL BLADE |
| LM06537021 | ZINC ROLL PIN, M5X50 |

TIGER

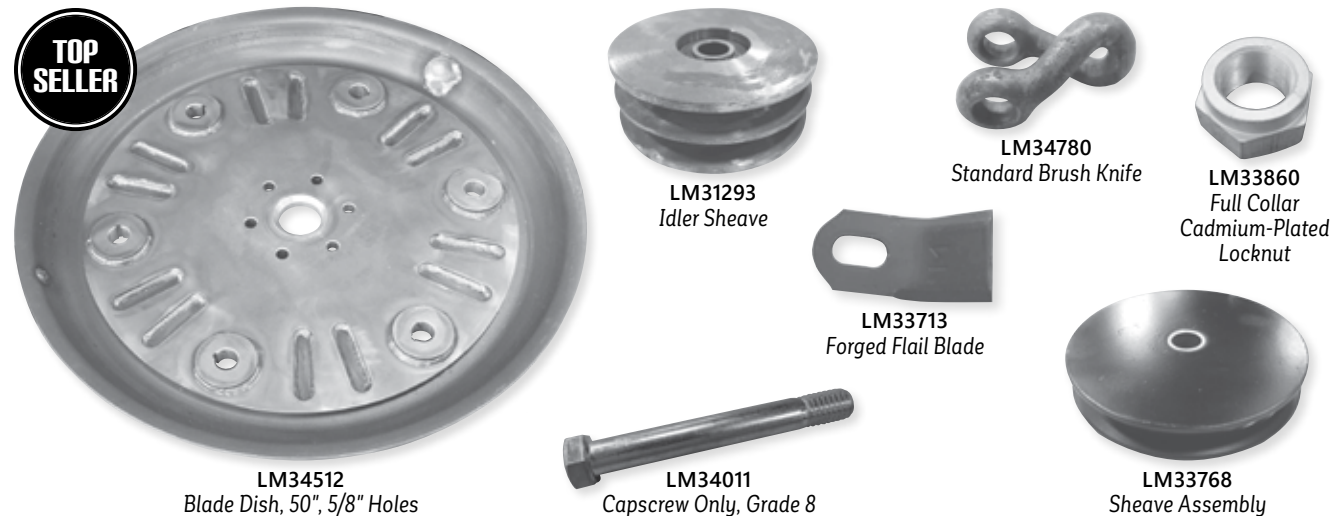
| | |
|------------|--|
| LM0653800 | KNIFE MTG BOLT, 5/8" SHOULDER |
| LM06538000 | KNIFE MTG BOLT, 5/8" SHOULDER |
| LM06700001 | BLADE MOUNTING DISH WITH HARDWARE, 50" |
| LM06700002 | BLADE DISH WITHHARDWARE, 60" |
| LM06770002 | FLAIL GROUND ROLLER BEARING |
| LM06770009 | ASSEMBLY, HUB, SOLID TIRE, CASTER |
| LM06770012 | DISK BOLT KIT |
| LM21223 | COUPLER SPROCKET, 5/16" KEYWAY |
| LM21242A | FLAP BAR, TM 72 |
| LM21248 | SKID SHOE, 72" |
| LM21248HD | SKID SHOE, 72", 1/2" THICK |
| LM21251 | BLADE |
| LM21295 | FLAP |
| LM21675 | HEX NUT 7/16" NC |
| LM220002 | CW STD. SUCTION BLADE |
| LM22051 | CABLE, 5/8" X 32", THIMBLE BOTH ENDS |
| LM22057 | CASTER AXLE SPINDLE ASSEMBLY |
| LM22592 | FLAP DEFLECTOR, TM60 |
| LM22596 | JAM WASHER |
| LM22753 | PROTECTOR TUBE |
| LM22847 | BOSS |
| LM22999 | SEAL RETAINER, FOR M365 |
| LM23150 | RETAINING RING FOR M365 |
| LM23153 | SEAL KIT FOR M365 |
| LM23160AHD | HD SKID SHOE, 1/2" |
| LM23596 | CRANKSHAFT ADAPTER SPACER |
| LM24346 | TORSION SPRING |
| LM24347 | DEFLECTOR |
| LM24491 | FRONT SHIELD, TRB 50 |
| LM24492 | REAR SHIELD |
| LM24512 | MAIN BOOM W/BUMPER PAD |
| LM24849 | SPACER, 7/8" X 1-1/4" X 5/8" |
| LM27167 | DISH MOUNTING BOLT KIT, 5/8" |
| LM27528 | RH BEARING SKID |
| LM27529 | LH BEARING SKID |
| LM27881 | LH BEARING SKID |
| LM27972A | GROUND ROLLER, 90" |
| LM28050 | PIN, 1.00 X 3.00, W/Ø.22, CAP |
| LM28086A | SKID SHOE |
| LM28571 | FLANGE BEARING, 1-1/4" |
| LM28642C | FLAIL CUTTERSHAFT, 63" |

YEP, WE HAVE THE HARDWARE FOR THAT! WE OFFER A FULL COMPLEMENT OF HARDWARE FOR OUR PRODUCTS.

BEFORE BUYING ELSEWHERE, GET AN ABSOLUTELY FREE QUOTE FROM LACAL!

CONTACT US TODAY VIA PHONE 800.543.6161 or EMAIL SALES@LACAL.COM

THESE ARE JUST SOME OF OUR MOST REQUESTED PRODUCTS...



TIGER

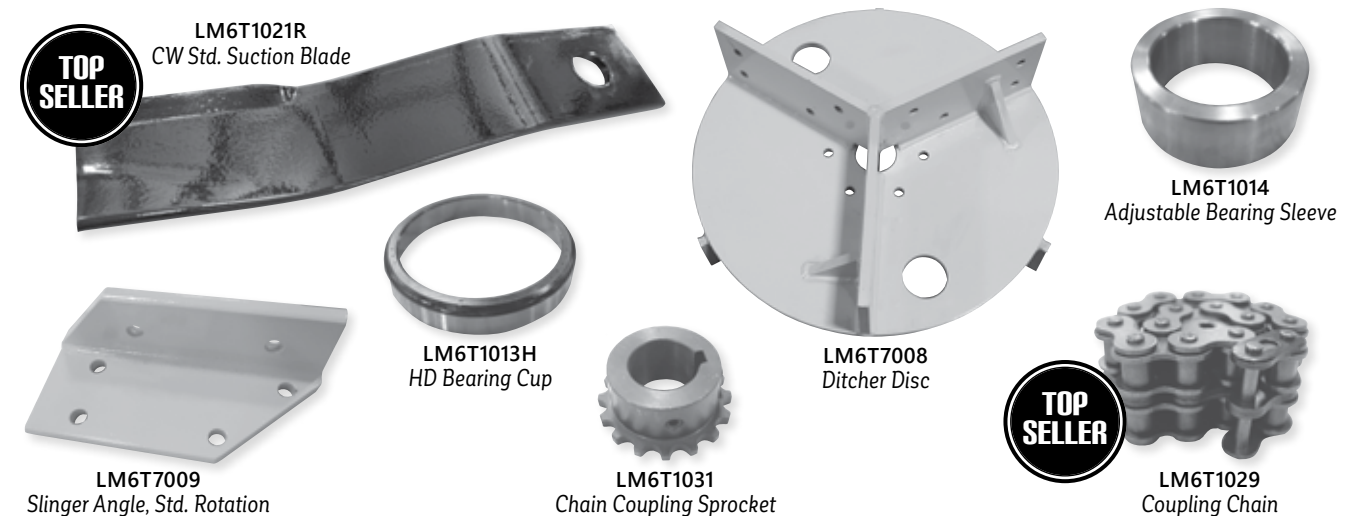
| | |
|-----------|--|
| LM28643B | BALANCED CUTTER SHAFT, 75" |
| LM28683 | FLANGE BEARING |
| LM28702 | V-BELT |
| LM28703B | TSF BELT GUARD, STD |
| LM28735 | ADJ. ROLLER BRACKET, STD. |
| LM28738 | GROUND ROLLER, 75" |
| LM28743 | CUTTERSHAFT |
| LM28747 | CUTTERSHAFT ASSEMBLY, 75 STD, STD KNIVES |
| LM28857A | PUMP DRIVE SHAFT, 25-7/8" |
| LM288999A | TUBE |
| LM28914 | SPLINED COUPLING |
| LM28999 | GROUND ROLLER, 102" |
| LM30000 | GROUND ROLLER, 96" X 6-5/8" DIAMETER |
| LM30111 | TUBE CLAMP KIT, 1.25 X 2, .31X4, 3P |
| LM30565 | GROUND ROLLER BEARING CAP STRAP |
| LM31286A | BELT SHIELD |
| LM31293 | IDLER SHEAVE |
| LM31325 | LIGHTENED BLADE DISH, 60", 5/8" HOLES |
| LM31327 | BLADE DISH, 60", 5/8" HOLES |
| LM31680 | STUB SHAFT SPACER |
| LM31773 | FRONT CHAIN GUARD ASSEMBLY |
| LM32321 | BEARING DX 1-1/2 X 2 |
| LM32372 | PIN |
| LM32378 | PIN |
| LM32572 | SPINDLE REPAIR KIT |
| LM32640 | DRIVE SHAFT, PUMP |
| LM32936 | SKID SHOE, 50 ROTARY, SABER |
| LM32951 | HINGE PIN SHIELD |
| LM32952 | DEFLECTOR |
| LM33201 | LOWER SABER ROTARY SEAL |
| LM33203 | BLADES, SET OF 2, SABER |
| LM33211 | RETAINER |
| LM33466 | BUSHING |
| LM33527 | BLADE |
| LM33621 | BUSHING, FLAIL, SABER |
| LM33655 | FRONT ROTARY SAFETY GUARD PLATE |
| LM33656 | REAR ROTARY SAFETY GUARD PLATE |
| LM33713 | FORGED FLAIL BLADE |
| LM33714 | FORGED FLAIL BLADE |

TIGER

| | |
|-----------|---------------------------------------|
| LM33719 | BUSHING, 1" O.D. X 5/8" I.D. |
| LM33768 | SHEAVE ASSEMBLY |
| LM33775 | DEFLECTOR FLAP |
| LM33777 | SKID SHOE |
| LM33777HD | HD SKID SHOE |
| LM33859 | HEAT TREATED FLAT WASHER |
| LM33860 | FULL COLLAR CAD PLATED LOCKNUT |
| LM33891 | BLADE KIT (BLADES/BOLTS & HARDWARE) |
| LM33986 | PIN, 1.00 X 13.13, W/Ø. 44 |
| LM33990 | GREASE ZERK, 1/8" X 2-3/16" X 65-DEG. |
| LM34011 | CAPSCREW ONLY, GRADE 8 |
| LM34428 | FLAIL BLADE CLEVIS |
| LM34475 | H.H. CAPSCREW, 3/4-16 X 2, "L9" |
| LM34479 | SPROCKET, SABER, KEYWAY |
| LM34497 | BLADE BOLT |
| LM34509 | BLADE MOUNTING BAR, SABRE |
| LM34512 | BLADE DISH, 50", 5/8" HOLES |
| LM34682 | BLADE |
| LM34684 | ROTARY BLADE |
| LM34685 | BLADE |
| LM34686 | 50" BOOM SHORT BLADE |
| LM34687 | BLADE |
| LM34688 | BLADE |
| LM34780 | STANDARD BRUSH KNIFE |
| LM34782 | KNIFE MOUNTING CLEVIS, 90-DEG. |
| LM34783 | BRUSH CUTTER SHAFT |
| LM34786 | KNIFE MOUNTING BOLT |
| LM34875 | BLADE DISH, 50" |
| LM34878 | BLADE BOLT SPACER |
| LM34883 | BLADE BOLT |
| LM34983HD | SKID SHOE |
| LM35017 | SWIVEL, ASSEMBLY, TRUCKAT |
| LM35190 | PIN, 1.00 X 5.00, W/O .44 |
| LM35192 | CYLINDER, 4" X 20" |
| LM35258 | ANGLE, LATCH, COVER |

PART NOT LISTED? WE HAVE HUNDREDS OF ADDITIONAL PARTS AVAILABLE FOR YOUR MACHINE. CALL 800.543-6161 TODAY!

LACAL HAS MANY MORE ITEMS AVAILABLE – JUST ASK!



TIGER

| | |
|---------------|--|
| LM35303 | ROD, 3/8" |
| LM6T0100 | CABLE SHEAVE BRACKET |
| LM6T0101 | CYLINDER END BRACKET |
| LM6T0104N-NEW | SHEAVE PIN BUSHING, 1" O.D. X 3/4" I.D. |
| LM6T0106 | TRAVEL LOCK BRACKET, TM60 & FLAIL |
| LM6T0106SP | CURVED TRAVEL BRACKET |
| LM6T0107 | PIN, .75 X 3.38 |
| LM6T0110 | LIFT CABLE, 1/2" X 87-1/2" |
| LM6T0112 | SHACKLE WITH PIN |
| LM6T0115 | TURNBUCKLE W/JAM NUTS |
| LM6T0149 | CYLINDER, 3" X 12" |
| LM6T0150 | CYLINDER, 3" X 18" STROKE |
| LM6T0151B | SIDE PORT CYLINDER, 3" X 10" |
| LM6T0151R | TOP PORT CYLINDER, 3" X 10" |
| LM6T0317 | PUMP DRIVE SHAFT, 23-1/2" |
| LM6T0318 | PUMP DRIVE SHAFT |
| LM6T0371 | PTO SPROCKET |
| LM6T0373 | PUMP SPROCKET |
| LM6T0375B | COUPLING, 14 SPLINE W/ ZERK |
| LM6T0379 | CRANKSHAFT ADAPTER |
| LM6T0650 | FILTER ELEMENT |
| LM6T0820HD | HD SKID SHOE, 1/2" |
| LM6T0824 | DEFLECTOR |
| LM6T1010H | HD SPINDLE HOUSING |
| LM6T1011 | UPPER SEALS, SET OF 2 |
| LM6T1011D | LOWER SEAL |
| LM6T1011H | HD LOWER SEAL |
| LM6T1012 | CONE BEARING |
| LM6T1012H | HD BEARING CONE |
| LM6T1013 | BEARING CUP |
| LM6T1013H | HD BEARING CUP |
| LM6T1014 | ADJ. BEARING SLEEVE |
| LM6T1015 | THIN BEARING LOCK NUT |
| LM6T1016 | THICK BEARING LOCK NUT |
| LM6T1017 | COUPLER |
| LM6T1018 | STD. DUTY SPINDLE, 1/2" HOLES, W/TABS |
| LM6T1018H5 | HD SPINDLE WITH 5/8" HOLES & STRING TABS (OLD STYLE) |
| LMPT1018H5 | SPINDLE WITHOUT STRING TABS (NEW STYLE) |
| LM6T1020RD | BLADE DISH, 60", 1/2" BOLT HOLE |

TIGER

| | |
|-------------|--------------------------------------|
| LM6T1020TB | BLADE DISH, 50", 1/2" BOLT HOLES |
| LM6T1021R | CW STD. SUCTION BLADE |
| LM6T1021RR | CCW STD. SUCTION BLADE |
| LM6T1021RS | CW HIGH SUCTION BLADE |
| LM6T1022R | KNIFE MOUNTING BOLT |
| LM6T1022RBK | BOLT KIT |
| LM6T1023R | NYLON LOCKNUT, GR8, Z&Y, 1-5/8 AF |
| LM6T1029 | COUPLING CHAIN |
| LM6T1030 | CHAIN COUPLING HALF SPROCKET |
| LM6T1031 | CHAIN COUPLING SPROCKET |
| LM6T1032 | KEYED BOSS |
| LM6T1033 | COUPLING COVER |
| LM6T1037 | COUPLING CHAIN |
| LM6T1603 | GROUND ROLLER, 96" X 6-5/8" DIAMETER |
| LM6T2296 | HEX CAPSCREW, GR8, Z&Y |
| LM6T2331 | SCREW |
| LM6T2999 | OUTER DRAFT BEAM PIN |
| LM6T3001 | INNER DRAFT BEAM PIN |
| LM6T3005 | CAPPED PIN 1 X 6. 30 |
| LM6T3009 | SHORT SHEAVE PIN WITH GREASE ZERK |
| LM6T3010 | LONG SHEAVE PIN WITH GREASE ZERK |
| LM6T3020 | CLIP (HAIR PIN) |
| LM6T3923 | SWITCH |
| LM6T4258 | BREATHER, 1/2 O-RING |
| LM6T5003 | O-RING |
| LM6T5013 | WEAR PLATE |
| LM6T5101 | HIGH PRESSURE SEAL |
| LM6T5105 | KEY, 3/8"H X 1/4"W X 1-3/4"L, FORM A |
| LM6T5201 | BEARING |
| LM6T5321 | SEAL KIT |
| LM6T7003 | SPROCKET W/SPLINE |
| LM6T7004 | COUPLING CHAIN |
| LM6T7008 | DITCHER DISC |
| LM6T7009 | SLINGER ANGLE, STD. ROTATION |
| LM6T7011 | DITCHER BLADE, ROUND HOLES |
| LM6T7011A | DITCHER BLADE, SQUARE HOLES |
| LM6T7012 | SLINGER TAB, SQUARE HOLE |
| LM6T7012A | SLINGER TAB, ROUND HOLES |
| LM6T7015 | STANDARD WEAR PLATE |

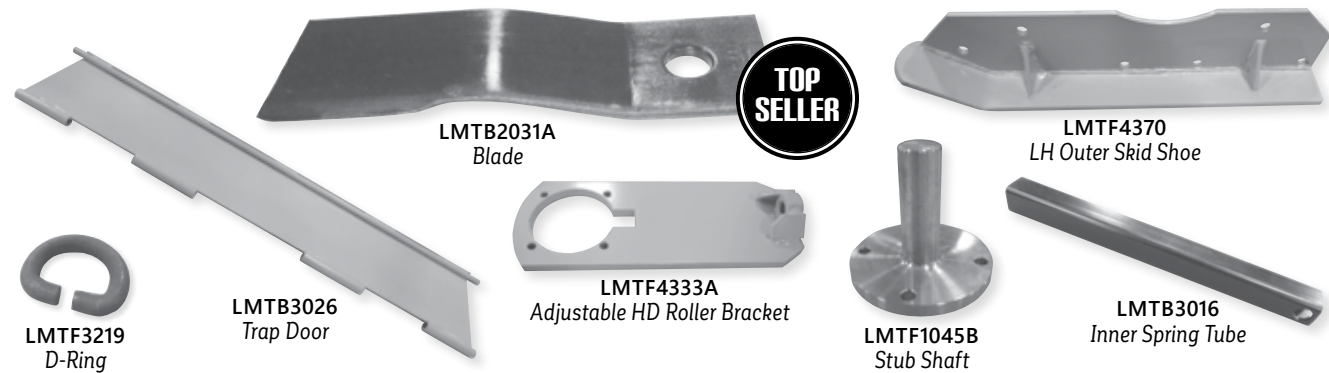
BEFORE BUYING ELSEWHERE, GET AN ABSOLUTELY FREE QUOTE FROM LACAL!

CONTACT US TODAY VIA PHONE 800.543.6161 or EMAIL SALES@LACAL.COM

ALL PARTS ARE GUARANTEED TO MEET WITH YOUR APPROVAL. Local Equipment, Inc. offers after-market parts for road and highway maintenance equipment. All original equipment manufacturer's names, drawings, colors and part numbers are used for identification purposes only. Local is in no way implying that any of our products are original equipment parts.

ALL PARTS ARE GUARANTEED TO MEET WITH YOUR APPROVAL. Local Equipment, Inc. offers after-market parts for road and highway maintenance equipment. All original equipment manufacturer's names, drawings, colors and part numbers are used for identification purposes only. Local is in no way implying that any of our products are original equipment parts.

THESE ARE JUST SOME OF OUR MOST REQUESTED PRODUCTS...



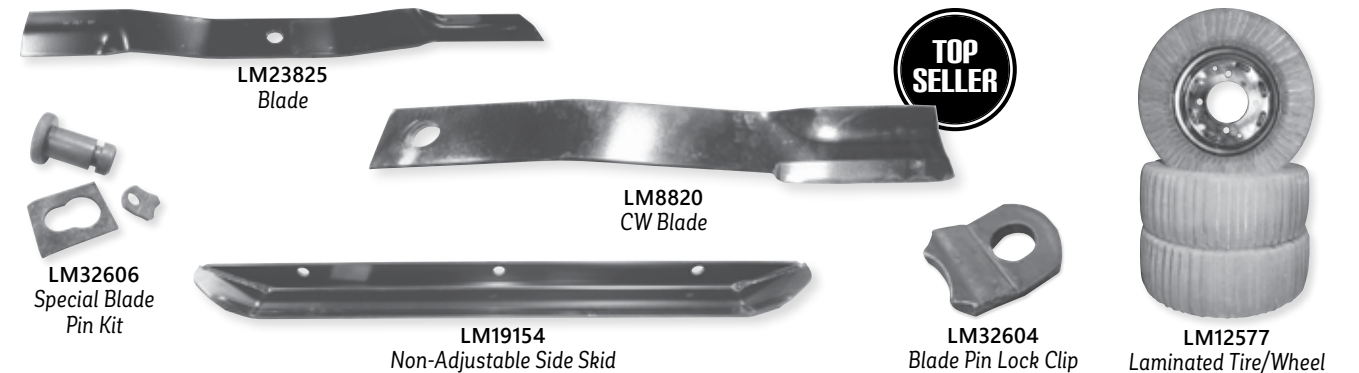
TIGER

| | |
|-----------|-------------------------------------|
| LMTB1004 | RH SKID SHOE |
| LMTB1005 | LH SKID SHOE |
| LMTB1006 | CURTAIN |
| LMTB1006A | DEFLECTOR FLAP, TRB 50 |
| LMTB1008 | BAR |
| LMTB1025 | SECONDARY BOOM SWIVEL PIN |
| LMTB1027 | PIVOT ARM DECK PIN |
| LMTB1028 | PIVOT ARM WITH BUSHING & ZERKS |
| LMTB1030 | PIVOT ARM PIN |
| LMTB1033 | CLEVIS PIN WITHOUT ROLL PINS |
| LMTB1045A | PIN |
| LMTB1045B | PRIMARY CYLINDER PIN WELDMENT |
| LMTB1104A | SKID SHOE |
| LMTB1105 | FLAP |
| LMTB1106 | FLAP |
| LMTB1109 | LIGHTENED BLADE PAN, 60", 1/2" |
| LMTB2029 | BOLT PROTECTOR, 1/2" BOLTS |
| LMTB20295 | BOLT PROTECTOR, 5/8" BOLTS |
| LMTB20296 | BOLT PROTECTOR, 3/4" BOLTS |
| LMTB2031 | BLADE |
| LMTB2031A | BLADE |
| LMTB2031S | BLADE |
| LMTB3002B | SWIVEL BOOM BRACKET REV. ASSEMBLY |
| LMTB3003A | STD. BOOM SWIVEL BRACKET |
| LMTB3013C | OUTER SWIVEL PIN |
| LMTB3014 | INNER SWIVEL PIN |
| LMTB3014A | PIN WITHOUT PLATING |
| LMTB3016 | INNER SPRING TUBE |
| LMTB3018 | OUTER SPRING TUBE |
| LMTB3019 | TRAP DOOR ROD |
| LMTB3023 | TRAP DOOR ROD |
| LMTB3026 | TRAP DOOR |
| LMTB3027 | TRAP DOOR |
| LMTB3033 | CLEVIS W/BEARING |
| LMTB3037 | BEARING |
| LMTB3037D | CLEVIS WITHOUT BEARING OR HARDWARE |
| LMTB3039 | CONTROL TUBE CLAMP, 1/4, (BOOM) |
| LMTB3043 | HOSE CLAMP, BOOM SUBFRM BRKT 6 X 2" |
| LMTF1002 | BARE CUTTERSHAFT, 75" |
| LMTF1002A | CUTTERSHAFT ASSEMBLY, 75HD, STD. |
| LMTF1003 | GROUND ROLLER, 75" |
| LMTF1016 | DEFLECTOR FLAP |
| LMTF1018 | FLANGE BEARING, 2-3/16" |
| LMTF1019 | FLAIL BLADE |

TIGER

| | |
|------------|----------------------------------|
| LMTF1019AE | FORGED FLAIL BLADE, ALL EDGE |
| LMTF1019F | DUCKFOOT ONE PIECE FLAIL BLADE |
| LMTF1021B | BOLT & NUT SET, GR 8 |
| LMTF1022 | FLANGE BEARING |
| LMTF1041 | DUST CAP |
| LMTF1042 | BEARING PROTECTOR W/SEAL |
| LMTF1045B | STUB SHAFT |
| LMTF1102 | BARE CUTTERSHAFT, 90" |
| LMTF1104A | TIE ROD |
| LMTF1107 | INPUT SHAFT |
| LMTF1116 | DEFLECTOR |
| LMTF1124 | KEY- 5/16 SQ. X 1-1/2 RD ENDS |
| LMTF1125 | KEY, 5/16 SQ X 1-3/4 LONG |
| LMTF1402A | BAFFLE WELDMENT, 75" |
| LMTF1403 | TRASH GUARD |
| LMTF1502A | STD. ROTATION FLAIL BAFFLE, 90HD |
| LMTF3001 | BOOM MOWER SKID SHOE |
| LMTF3004 | SHIELD |
| LMTF3020 | COGGED V-BELT |
| LMTF3021 | COGGED V-BELT |
| LMTF3090 | PIVOT ARM PIN |
| LMTF3219 | D-RING |
| LMTF3220A | CUP TYPE FLAIL BLADE, 9/16" HOLE |
| LMTF3222A | KNIFE HANGER |
| LMTF3223A | KNIFE BRACKET, 9/16" HOLES |
| LMTF3405 | GROUND ROLLER, 50" X 6" DIAMETER |
| LMTF3406 | TIE ROD WELDMENT |
| LMTF3407 | ADJUSTABLE ROLLER BRACKET |
| LMTF3605 | IDLER ARM PIN, 3/4" X 4-1/4" |
| LMTF4333A | ADJUSTABLE HD ROLLER BRACKET |
| LMTF4334 | RH ADJUSTING SCREW |
| LMTF4335 | LH ADJUSTING SCREW |
| LMTF4336 | GROUND ROLLER LOCK PLATE |
| LMTF4337 | ADJUSTABLE ROLLER BRACKET |
| LMTF4338 | RH HD ADJUSTMENT ROD |
| LMTF4339 | LEFT ADJUSTMENT ROD |
| LMTF4346 | RH IDLER ARM |
| LMTF4365 | LH INNER SKID SHOE |
| LMTF4366 | SKID SHOE, L/PROFILE-INNER-LF |
| LMTF4370 | LH OUTER SKID SHOE |
| LMTF4371 | RH OUTER SKID SHOE |
| LMTF4500A | PIVOT ARM W/BUSHINGS, NEW STYLE |
| LMTF4506B | LIFT LINKAGE ARM ASSEMBLY |
| LMTF4507B | LIFT LINKAGE ARM ASSEMBLY |

LACAL HAS MANY MORE ITEMS AVAILABLE – JUST ASK!



TRIUMPH

| | |
|-----------|-----------------------------------|
| LM0028700 | BEARING |
| LM0012700 | CLIP |
| LM0163800 | HEX NUT 7/16" NC |
| LM0190800 | CONNECTOR |
| LM0532600 | WEAR PLATE |
| LM0571900 | WEAR PLATE |
| LM0585500 | RH INNER SHOE SOLE |
| LM0593600 | OUTER GUARD WITH LEDGER PLT GRAY |
| LM0593700 | CENTER GUARD WITH LEDGER PLT GRAY |

WOODS

| | |
|-------------|----------------------------------|
| LM1007684 | SHORT TOOTH |
| LM1008190 | 1-1/2" BLADE PIN KIT |
| LM1008190A | BLADE BOLT |
| LM1008199KT | BLADE KIT OF 3, 25" HIGH SUCTION |
| LM1017040 | TAILWHEEL |
| LM1017147 | RH SKID |
| LM1017148 | LH SKID |
| LM1019636 | TAILWHEEL, 4" X 8" |
| LM1028815 | TAIL WHEEL FORK WELDMENT |
| LM1032105 | AXLE NUT |
| LM10520 | BLADE PIN SHIM |
| LM11114 | CONE BEARING |
| LM11115 | CUP BEARING |
| LM11122 | SKID SHOE WITH HARDWARE |
| LM11122A | SKID SHOE |
| LM11731 | SIDE SKID |
| LM12577 | LAMINATED TIRE/WHEEL, 5" X 8" |
| LM12890 | SKID SHOE W/HARDWARE |
| LM12892 | BLADE |
| LM12916 | BLADE |
| LM13946 | BLADE PIN SHIM, 20 GA. |
| LM15184 | BANDED V-BELT, 3-GROOVE |
| LM15277 | WHEEL HUB ASSEMBLY |
| LM15789 | BLADE |
| LM17191 | SKID SHOE |
| LM18493 | SKID SHOE |
| LM19154 | NON-ADJUSTABLE SIDE SKID |
| LM19160 | BLADE |
| LM19161 | BLADE |
| LM19181 | SLEEVE |
| LM19459 | FRICTION DISC |
| LM19805 | SKID WITH HARDWARE |
| LM23000 | IDLER PULLEY |
| LM2303 | BEARING (CONE ONLY) |

WOODS

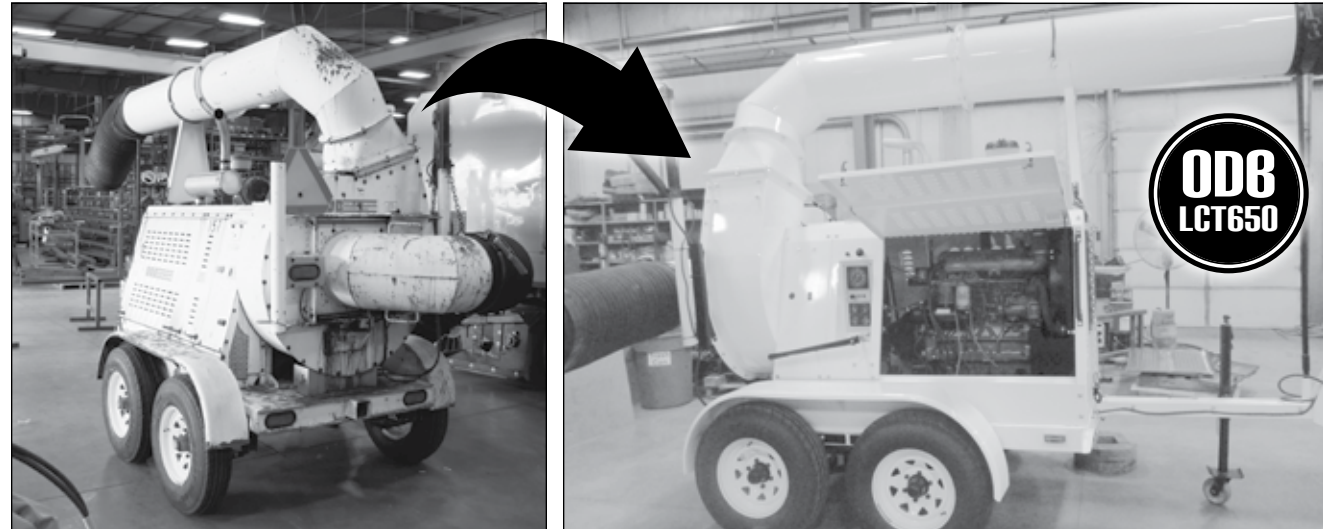
| | |
|------------|---|
| LM2305 | BEARING (CUP ONLY) |
| LM23261 | SKID SHOE WITH HARDWARE |
| LM23825 | BLADE |
| LM24771 | BLADE |
| LM24914 | REAR INNER CHAIN PLATE RT |
| LM25748 | RH SKID SHOE |
| LM25749 | LH SKID SHOE |
| LM25800 | FRONT CORNER SKID |
| LM25807 | LAMINATED TIRE/WHEEL, 400 X 8 |
| LM27048 | REAR OUTER CHAIN PLT RT SINGLE |
| LM29344 | V-BELT |
| LM303132 | FRICTION DISC |
| LM310 | BEARING CONE |
| LM31306KT | BLADE KIT (3 BLADES) |
| LM31359 | BLADE |
| LM32602 | PIN/BLADE |
| LM32603 | SPECIAL KEYHOLE PLATE |
| LM32604 | BLADE PIN LOCK CLIP |
| LM32606 | SPECIAL BLADE PIN KIT |
| LM32606A | BOLT KIT |
| LM32608 | BLADE PIN KIT |
| LM32616 | BLADE PIN |
| LM3886 | KEY |
| LM3900 | BLADE |
| LM3975 | BLADE |
| LM4141 | RH SKID SHOE |
| LM4142 | LH SKID SHOE |
| LM4622 | BOLT |
| LM46606 | SHIELD |
| LM46607 | SHIELD |
| LM4676 | LAMINATED TAILWHEEL, 4" X 8" |
| LM58731KT | BLADE KIT OF 3, 25" HIGH SUCTION |
| LM6273 | SEAL |
| LM6323 | BLADE |
| LM6866 | BLADE |
| LM7428 | LAMINATED TIRE/WHEEL WITH TREAD, 4-HOLE |
| LM8820 | CW BLADE |
| LM8825 | CCW BLADE |
| LM90225 | BLADE |
| LM91761 | BLADE |
| LM9204BDKT | BLADE KIT OF 3, 25" HIGH SUCTION |

PART NOT LISTED? WE HAVE HUNDREDS OF ADDITIONAL PARTS AVAILABLE FOR YOUR MACHINE. CALL 800.543-6161 TODAY!

BEFORE BUYING ELSEWHERE, GET AN ABSOLUTELY FREE QUOTE FROM LACAL!

CONTACT US TODAY VIA PHONE 800.543.6161 or EMAIL SALES@LACAL.COM

LEAF MACHINE RECONDITIONING



ENGINEERING



WELDING/FAB



POWDER COAT



Lacal Equipment is well on its way to establishing its reputation as an industry front-runner in reconditioning leaf collecting machines for both government agencies and contractors.

Our facility offers a one-stop-shop, where we combine our skills in engineering, machining, welding, fabrication and powder coating to produce durable high-quality parts for leaf machines. A knowledgeable parts department completes the full-service experience.

Whether you have a small single-axle style or a large multi-axle self-contained unit, Lacal has the knowledge and expertise to keep your machine operational for years to come.

BEFORE BUYING ELSEWHERE, GET AN ABSOLUTELY FREE QUOTE FROM LACAL!

ALL PARTS ARE GUARANTEED TO MEET WITH YOUR APPROVAL. Lacal Equipment, Inc. offers after-market parts for road and highway maintenance equipment. All original equipment manufacturer's names, drawings, colors and part numbers are used for identification purposes only. Lacal is in no way implying that any of our products are original equipment parts.

WE USE A SIMPLE, EFFECTIVE THREE-STEP PROCESS

1. ASSESS



We'll inspect your machine in its present condition and provide a thorough, detailed work order that outlines the scope of work to be performed.

2. TEAR DOWN



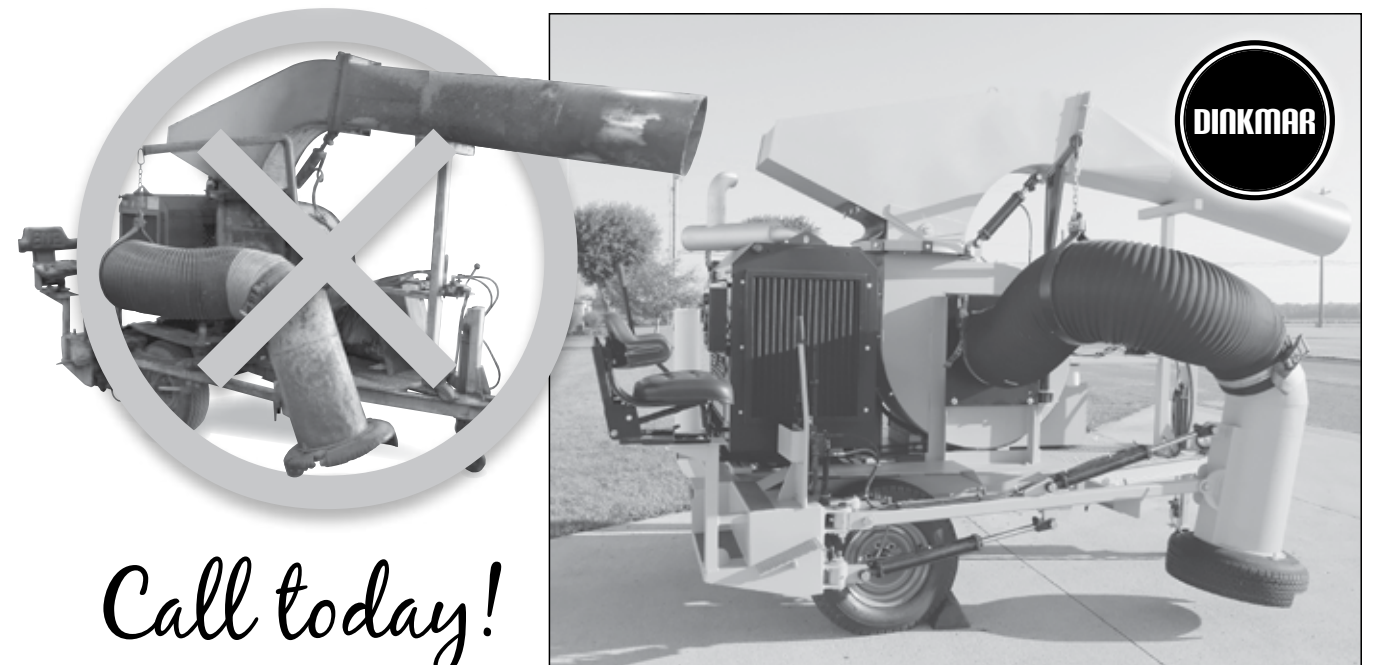
Next, we'll take your machine completely apart, replacing or rebuilding damaged and worn parts as needed. Every inch will be cleaned, tested & inspected.

3. REASSEMBLE



Finally, we'll put all the new components in place to provide you with a like-new machine for the fraction of the cost of full replacement.

DO *Not* SUFFER THROUGH ANOTHER SEASON



Call today!

CONTACT US TODAY VIA PHONE 800.543.6161 or EMAIL SALES@LACAL.COM

ALL PARTS ARE GUARANTEED TO MEET WITH YOUR APPROVAL. Lacal Equipment, Inc. offers after-market parts for road and highway maintenance equipment. All original equipment manufacturer's names, drawings, colors and part numbers are used for identification purposes only. Lacal is in no way implying that any of our products are original equipment parts.

THESE ARE JUST SOME OF OUR MOST REQUESTED PRODUCTS...

LEAF HOSES

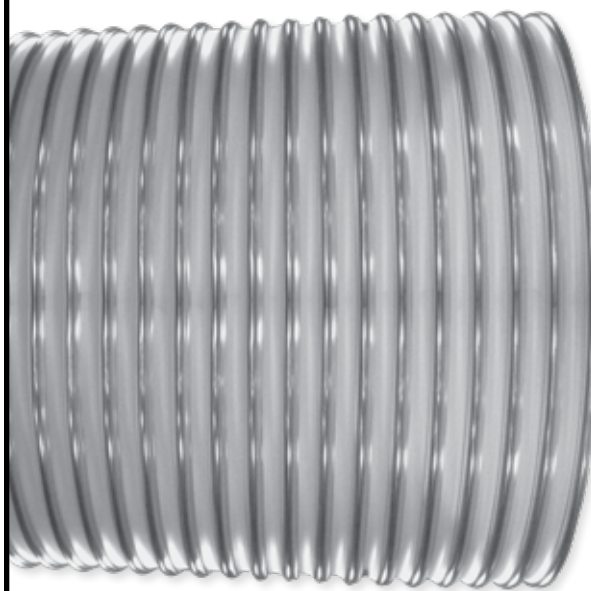
Heavy Duty Black Rubber



AVAILABLE DIAMETERS:
6-IN., 7-IN., 8-IN., 10-IN., 12-IN.,
14-IN., 16-IN., 18-IN.

- Multi-ply high-tensile woven poly fabric body and spring steel wire helix
- Abrasion-resistant rubber inner liner
- Black abrasion-resistant Neoprene exterior
- Extremely flexible
- Corrugated interior and exterior
- End cuffs approximately 3" long and .375" (3/8") thick
- Side walls approximately .1875" (3/16") thick

Thermoplastic Polyurethane

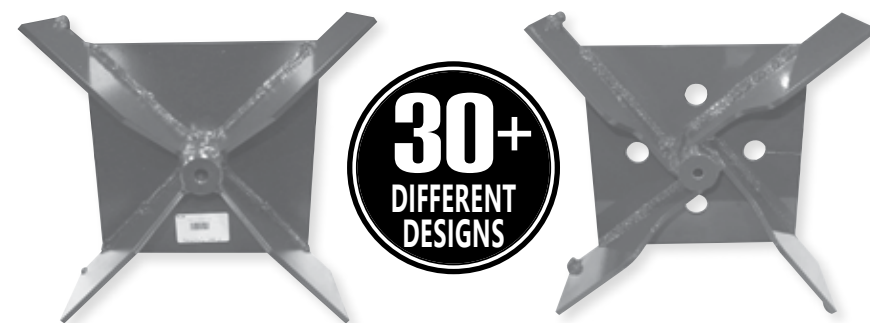


AVAILABLE DIAMETERS:
8-IN., 10-IN., 12-IN., 16-IN., 18-IN.

- Reinforced with spring steel wire for increased pressure and vacuum resistance
- Superior abrasion-resistance
- Clear walls allow easy visualization of blockages
- Smooth interior for optimized material flow
- Side walls approximately .060" thick
- Excellent for both lawn and leaf collection

LACAL HAS MANY MORE ITEMS AVAILABLE – JUST ASK!

CUSTOM-MADE LEAF IMPELLERS



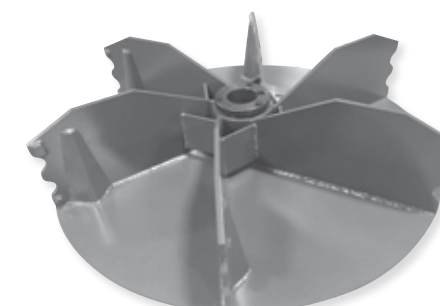
Lacal Equipment can custom-design and manufacture an impeller to specifically fit YOUR leaf collector, no matter what make or model. We produce them on-site from USA-made quality steel that is securely welded to last; balanced for smooth, even rotation; and then powder-coated for maximum rust resistance. Our custom impellers are guaranteed to meet your needs, and most likely, for much less cost. Join our ever-growing list of satisfied customers! Call to request one of our Custom Leaf Impeller Fan worksheets or download your own printable version today at www.lacal.com/worksheets.



Enjoy Special Pricing on parts for **ODB**



LLC8003028
CCW Fan, 30", Tier 4 (Direct Drive)



LLCLCT600038
Impeller for 6000

| | | | |
|------------|-------------------------------------|--------------|----------------------------|
| LLC1070XZ | CCW IMPELLER, 28" | LLCLCT600038 | IMPELLER (6000) |
| LLC1143XZ | CCW IMPELLER, 32" | LLCLCT60033 | CW LEAF FAN, 32" |
| LLC1145XZ | CCW LEAF FAN, 30" | LLCLCT6033 | CCW IMPELLER LEAF FAN, 32" |
| LLC6003028 | IMPELLER FAN | LLCLCT620602 | LINER SET |
| LLC8003028 | CCW FAN, 30", TIER 4 (DIRECT DRIVE) | | |

BEFORE BUYING ELSEWHERE, GET AN ABSOLUTELY FREE QUOTE FROM LACAL!

ALL PARTS ARE GUARANTEED TO MEET WITH YOUR APPROVAL. Lacal Equipment, Inc. offers after-market parts for road and highway maintenance equipment. All original equipment manufacturer's names, drawings, colors and part numbers are used for identification purposes only. Lacal is in no way implying that any of our products are original equipment parts.

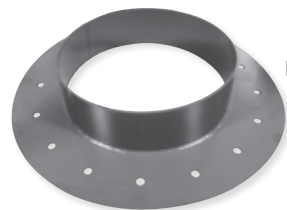
CONTACT US TODAY VIA PHONE 800.543.6161 or EMAIL SALES@LACAL.COM

ALL PARTS ARE GUARANTEED TO MEET WITH YOUR APPROVAL. Lacal Equipment, Inc. offers after-market parts for road and highway maintenance equipment. All original equipment manufacturer's names, drawings, colors and part numbers are used for identification purposes only. Lacal is in no way implying that any of our products are original equipment parts.

THESE ARE JUST SOME OF OUR MOST REQUESTED PRODUCTS...



LLC252B
Leaf Fan,
32" X 12-1/2" CW



LLC20160
Flange



LLC10043L
Liner



LLC21520
Fan with Back,
30" X 10-1/2"

AMERICAN ROADS

| | |
|-------------------|----------------------------|
| LB008150183G002 | ROLLER ASSEMBLY |
| LB008161435G001 | PIPE RETAINER |
| LB008161436G002 | SUPPORT BOOM WELDMENT, 72" |
| LLC0645G001 | 6-BLADE IMPELLER, 25" |
| LLCA008150751P0 | HOSE SUPPORT STRAP |
| LLCA008190154G002 | CCW FAN, 30" |
| LLCA2000115P026 | REAR DOOR SEAL |
| LLCA2000348P51 | SHAFT |
| LLCC008161148G3 | LOWER HOSE BAND |
| LLCC8161148G1 | LOWER BAND |
| LLCCX110P301 | CLUTCH ASSEMBLY |
| LLCD008190135P001 | LONG LINER |
| LLCD008190136P001 | SHORT LINER |
| LLCD8161057P1 | LONG LINER |
| LLCD8161058P2 | SHORT LINER |
| LLCFFB10 | SHORT LINER |
| LLCHRD135 | LINER BOLT |
| LLCHRD432 | LINER NUT |
| LLCLF0000009 | LONG LINER |
| LLCLFB00000010 | SHORT LINER |
| LLCLFB0000008 | SHORT LINER, 25" FAN |
| LLCLFB9 | LONG LINER |
| LLCLFBA000001 | FAN, 25" |
| LLCLFBA40 | IMPELLER HOUSING |
| LLCLFM32 | SPRING |
| LLCLFMA26 | HOUSING HAT |
| LLCLFMA26AA | OUTER HAT HOUSING WELDMENT |
| LLCLFMA26AB | HINGED CHUTE |

DINKMAR

| | |
|-----------|----------------------------|
| LLC108B | TURN TABLE ASSEMBLY |
| LLC126B2 | FRONT COVER ASSEMBLY |
| LLC158B | MOTOR ADJUSTMENT BOLT |
| LLC158BA | ADJ. BOLT THREADED ROD |
| LLC211B | EAR BRACKET |
| LLC231B | NARROW HOLD DOWN CLAMP |
| LLC235B | SWING ARM BRACKET |
| LLC252B | CW LEAF FAN, 32" X 12-1/2" |
| LLC291B16 | INTAKE NOZZLE - 16" |
| LLC291B18 | INTAKE NOZZLE |
| LLC293B | INTAKE TIRE RING ASSEMBLY |

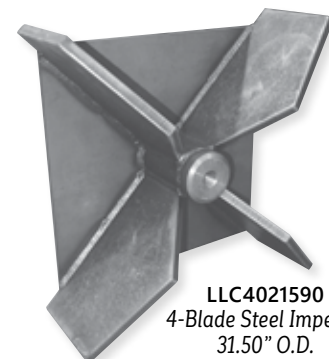
DINKMAR

| | |
|-----------|----------------------------|
| LLC296B | OVERHEAD HOSE SUPPORT |
| LLC3006B | SWING ARM |
| LLC3006B3 | 3-AXIS SWING ARM ASSEMBLY |
| LLC3006BA | SWING ARM SQUARE TUBE |
| LLC3006BC | SHORT EAR BRACKET |
| LLC3006BD | TALL EAR BRACKET |
| LLC3006BE | SWING ARM END CAP |
| LLC3006BF | SWING ARM PIVOT TUBE |
| LLC350B | WIDE HOLD DOWN CLAMP |
| LLC451B | SWING ARM ASSEMBLY |
| LLC483B | SHAFT GUARD |
| LLC485B | TURN TABLE BASE |
| LLC485B1 | GUSSET |
| LLC490B | REAR SUPPORT ASSEMBLY |
| LLC497B | FRONT SCROLL WELDMENT |
| LLC4BX105 | 4-BANDED BELT |
| LLC500B | REAR SCROLL ASSEMBLY |
| LLC501B | REAR SCROLL WELDMENT |
| LLC505B | LINER ASSEMBLY |
| LLC505BB | END OF LINER PLATE |
| LLC531B | EXHAUST TUBE WELDMENT, 16" |
| LLC7651C | ELBOW WELDMENT |
| LLC7651CA | ELBOW SIDE PANEL |
| LLC7651CB | ELBOW TOP PANEL |
| LLC7651CC | ELBOW BACK PANEL |
| LLC7651CG | BACKUP LINER |

GIANT VAC

| | |
|-----------|---|
| LLC010011 | LOCKWASHER KEY BOLT |
| LLC010024 | THROTTLE CABLE |
| LLC020059 | IMPELLER |
| LLC020069 | LINER KIT FOR ELBOW |
| LLC020070 | NOZZLE WITH WELDED HANDLE, 18" |
| LLC020080 | BLOWER HOUSING WITH LINER KIT |
| LLC020084 | LINING KIT |
| LLC020088 | DISCHARGE CHUTE |
| LLC020385 | IMPELLER, 85-HP, WITH FLUID COUPLER |
| LLC020432 | 4-BLADE IMPELLER, 85-HP, 29.5", 3/4" BLADES |
| LLC030023 | FLEX METAL STEEL TUBE, 12" X 6-FT |
| LLC030053 | HD INTAKE/EXHAUST HOSE, 12" X 8-FT |
| LLC050035 | FLUID COUPLING WITH SHAFT (BOLT-ON) |

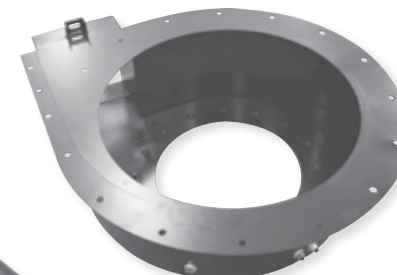
LACAL HAS MANY MORE ITEMS AVAILABLE – JUST ASK!



LLC4021590
4-Blade Steel Impeller,
31.50" O.D.



LLC4040107
Vertical Boom Support



LLC4010043
Housing



LLC4021532
4-Blade Steel Impeller,
31.50" O.D.

GIANT VAC

| | |
|-------------|-----------------------------------|
| LLC10043L | LINER |
| LLC10179 | HOUSING |
| LLC20156 | INTAKE NOZZLE |
| LLC20158 | NOZZLE, 18" |
| LLC20160 | FLANGE |
| LLC203560 | MECHANICAL PTO FRICTION DISC, 10" |
| LLC203565 | CLUTCH FACING PLATE |
| LLC21517 | IMPELLER, 19.75" OD |
| LLC21518 | IMPELLER |
| LLC21519 | IMPELLER, 29.50" OD |
| LLC21520 | FAN WITH BACK, 30" X 10-1/2" |
| LLC21552 | 4-BLADE IMPELLER, 29.50" |
| LLC21604 | IMPELLER WITH HARDWARE |
| LLC21610 | IMPELLER |
| LLC236739AM | PILOT BEARING |
| LLC24595 | BOX STACK |
| LLC24622 | DISCHARGE CHUTE |
| LLC3020144 | INTAKE NOZZLE, 14" |
| LLC3021609 | IMPELLER |
| LLC3034111 | HOSE, 14" X 10-FT. |
| LLC31129 | KEY |
| LLC31332 | SPRING |
| LLC31744 | PULL DOWN LATCH, 2-PC. |
| LLC31778 | FLIP LEVER ASSEMBLY |
| LLC32009 | REAR DOOR HINGE |
| LLC33173 | DUAL WHEEL JACK |
| LLC34023 | HOSE, 18" X 8-FT. |
| LLC34026 | DISC METAL HOSE |
| LLC34059 | 90-DEG ELBOW |
| LLC34092 | HOSE SPECIAL SUPPORT BAND, 16 X 4 |
| LLC34093 | DISCHARGE HOSE |
| LLC35019 | THROTTLE CABLE |
| LLC36274 | SHEAVE, 4V (SM8000) |
| LLC36275 | SHAFT BUSHING, 2-1/4" |
| LLC36276 | BELT DRIVE IMPELLER SHAFT, 8000 |
| LLC36279 | BEARING |
| LLC36280 | BEARING |
| LLC4010043 | HOUSING |
| LLC4010043H | LONG LINER |
| LLC4010043I | SHORT LINER |
| LLC4010179 | HOUSING WITH LINER KIT |

GIANT VAC

| | |
|-------------|--|
| LLC40106 | BOOM, 6-FT. |
| LLC40107 | VERTICAL BOOM SUPPORT |
| LLC40136 | FUEL CAP |
| LLC40159 | LOWER BOOM |
| LLC4020156 | INTAKE NOZZLE |
| LLC4020158 | NOZZLE, 18" |
| LLC4021517 | IMPELLER, 19.75" O.D. |
| LLC4021519 | IMPELLER, 29.50" O.D. |
| LLC4021532 | 4-BLADE STEEL IMPELLER, 31.50" O.D. |
| LLC4021552 | 4-BLADE IMPELLER, 29.50" |
| LLC4021577 | IMPELLER, SM8000 |
| LLC4021590 | 4-BLADE STEEL IMPELLER, 31.50" O.D. |
| LLC4024624 | STACK & ELBOW, 12-BOLT |
| LLC4031128 | SQUARE KEY |
| LLC4031129 | KEY |
| LLC4031447 | KIT IMPELLER BOLT KEY |
| LLC4031513 | IMPELLER KEY |
| LLC4031532 | EXHAUST STACK GASKET SET |
| LLC4031697 | PULLER IMPELLER BOLT |
| LLC4032009 | REAR DOOR HINGE |
| LLC4033040 | TRAILER SUPPORT WHEEL JACK |
| LLC4034006 | HOSE, 8" X 10-FT. |
| LLC4034023 | HOSE, 18" X 8-FT. |
| LLC4034024 | SS HOSE CLAMP, 16" NOM. |
| LLC4034025 | SS HOSE CLAMP, 17-1/8"-20" DIAMETER |
| LLC4034026 | METAL DISC HOSE |
| LLC4034035 | HOSE, 16" DIAMETER X 10-FT., BLUE |
| LLC4034063 | METAL INTERFLEX HOSE, 12" X 10-FT |
| LLC4034066 | HD URETHANE HOSE (.088), 12" X 6-FT. |
| LLC4034088 | METAL HOSE, 12" X 7-FT. |
| LLC4034103 | METAL HOSE, 12" X 8-FT. |
| LLC4036262 | BEARING, 2.25 4-BOLT FLANGE |
| LLC4039181 | MAGNETIC SWITCH |
| LLC4040107 | VERTICAL BOOM SUPPORT |
| LLC4040159 | LOWER BOOM |
| LLC4061043 | POWER UNIT |
| LLC4061079 | POWER UNIT |
| LLC4070832 | WEAR LINER KIT WITH HARDWARE |
| LLC4070832L | WEAR LINER KIT WITH HARDWARE |
| LLC4070978 | HOUSING WEAR LINER KIT WITH HARDWARE |
| LLC434510 | CLUTCH & PTO ASSEMBLY WITH SOLID PLATE |

BEFORE BUYING ELSEWHERE, GET AN ABSOLUTELY FREE QUOTE FROM LACAL!

CONTACT US TODAY VIA PHONE 800.543.6161 or EMAIL SALES@LACAL.COM

ALL PARTS ARE GUARANTEED TO MEET WITH YOUR APPROVAL. Local Equipment, Inc. offers after-market parts for road and highway maintenance equipment. All original equipment manufacturer's names, drawings, colors and part numbers are used for identification purposes only. Local is in no way implying that any of our products are original equipment parts.

ALL PARTS ARE GUARANTEED TO MEET WITH YOUR APPROVAL. Local Equipment, Inc. offers after-market parts for road and highway maintenance equipment. All original equipment manufacturer's names, drawings, colors and part numbers are used for identification purposes only. Local is in no way implying that any of our products are original equipment parts.

THESE ARE JUST SOME OF OUR MOST REQUESTED PRODUCTS...



GIANT VAC

| | |
|-------------|---|
| LLC518PH12 | MAG BOX |
| LLC61156 | REMOTE CONTROL |
| LLC70832 | WEAR LINER KIT WITH HARDWARE |
| LLC70832G | LINING KIT |
| LLC70832L | LINER KIT |
| LLC70858 | REPLACEMENT DISCHARGE STACK WITH HARDWARE |
| LLC70865 | IMPELLER HOUSING LINER |
| LLCMP010013 | IMPELLER HARDWARE KIT |
| LLC70832 | LINER |
| LLC70938 | WEAR LINER KIT WITH HARDWARE |
| LLC71776 | PLASTIC LOCKING KNOB, 5/16-18 THREAD, 1-3/4" DIAMETER WITH SCALLOPS |
| LLCMP010011 | IMPELLER HARDWARE KIT (85HP) WITH SQUARE KEY |

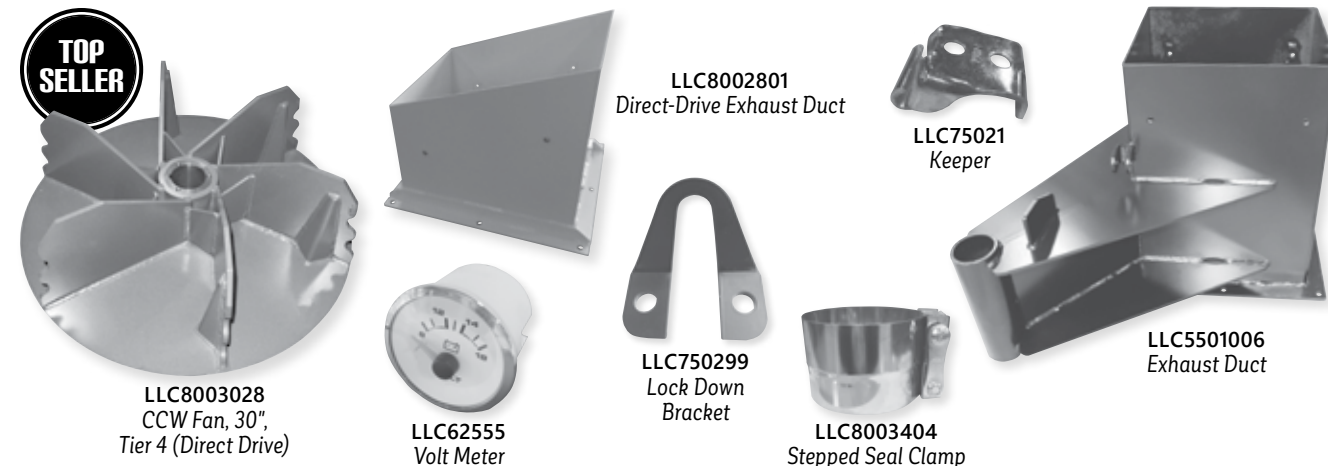
OLD DOMINION BRUSH

| | |
|--------------|---|
| LLC00610900 | WHEEL LUG NUT |
| LLC01310903 | LH & RH EQUALIZER |
| LLC10001410 | CIRCUIT BREAKER, 10-AMP |
| LLC1070XZ | CCW IMPELLER, 28" |
| LLC1143XZ | CCW IMPELLER, 32" |
| LLC1145XZ | CCW LEAF FAN, 30" |
| LLC1240 | STEIN PTO ASSEMBLY, 1-3/8" (F1B SERIES) |
| LLC1500171 | OIL PRESSURE SENDER |
| LLC1584A | PTO/CLUTCH |
| LLC196939 | BUSHING |
| LLC19694X | SEAL PLATE |
| LLC19695 | HANDLE CLIP |
| LLC19696X | HANDLE |
| LLC19697X | SEAL PIN |
| LLC200012 | HITCH PIN, 5/8" |
| LLC200042 | STRIKER PLATE |
| LLC211109 | SET COLLAR, 1" |
| LLC21520 | FAN WITH BACK, 30" X 10-1/2" |
| LLC21520A | FAN BACK PLATE, 30" X 10.5" |
| LLC21520B | FAN VANE, 30" X 10.5" |
| LLC265126012 | RADIATOR GROMMET |
| LLC272XZ | OUTER BEARING PLATE |
| LLC285626012 | RUBBER GROMMET |
| LLC30292101 | FRONT PANEL ASSEMBLY |
| LLC3041015 | CIRCUIT BREAKER, 15-AMP |
| LLC3041030 | CIRCUIT BREAKER, 30-AMP |

OLD DOMINION BRUSH

| | |
|---------------|---|
| LLC306B | BELT GUARD ASSEMBLY |
| LLC31253 | IGNITION SWITCH |
| LLC35423049 | WATER TEMP SWITCH |
| LLC368XZ | IMPELLER SHAFT |
| LLC390112 | THROTTLE CONNECTOR |
| LLC4000203 | CIRCUIT BOARD |
| LLC4000205 | CIRCUIT BOARD |
| LLC400021 | IGNITION SWITCH HARNESS |
| LLC400022 | MURPHY SWITCH HARNESS PLUG |
| LLC400050A | CLUTCH CYLINDER |
| LLC400050C1 | BEARING |
| LLC400053C | CYLINDER SUPPORT BRACKET |
| LLC40450018 | RADIATOR SCREEN |
| LLC4045099 | INSTRUMENT PANEL HOUSING |
| LLC40452021 | FRONT PANEL |
| LLC40452101 | FRONT PANEL |
| LLC40452105 | RH UPPER SIDE PANEL |
| LLC40452106 | LH UPPER SIDE PANEL |
| LLC40452108 | RH PANEL DOOR |
| LLC40452109 | LH PANEL DOOR |
| LLC40452112 | REAR PANEL, JD NON SCL FORDS |
| LLC40452112F | SOLENOID COVER |
| LLC40452151F | RADIATOR BOLT BRACKET |
| LLC40452152 | REAR ENGINE MOUNT |
| LLC40452190A | REAR FAN SHROUD |
| LLC40452190B | FRONT FAN SHROUD |
| LLC40459500 | RADIATOR |
| LLC40459501A1 | RADIATOR |
| LLC4045T2102S | JD TURBO HOOD, SCL800 |
| LLC41500031 | CLUTCH ADJUSTMENT DECAL |
| LLC41500072 | CLUTCH RELEASE FORK PIVOT STUD (3/08 AND AFTER) |
| LLC41500095 | CLUTCH BRACKET ARM, AUTO HD |
| LLC41500096 | LEVER & SHAFT HOUSING ASSEMBLY |
| LLC41500103 | ALIGNMENT TOOL |
| LLC41500164 | ALIGNMENT TOOL (1-1/2" SPLINE) |
| LLC41500247 | ALIGNMENT TOOL (1-3/4" SPLINE) |
| LLC4501002G | BLOWER HOUSING FACE |
| LLC4501002L2 | LINER SET |
| LLC4501004 | IMPELLER, 28" O.D. |
| LLC4501402 | SHEAVE |
| LLC4501403 | SHEAVE BUSHING, IMPELLER SIDE |

LACAL HAS MANY MORE ITEMS AVAILABLE – JUST ASK!



OLD DOMINION BRUSH

| | |
|---------------|--|
| LLC4501405 | IMPELLER SHAFT |
| LLC4501406A | BEARING |
| LLC481604 | LEAF COLLECTOR HOSE, 16" X 10-FT. |
| LLC481609 | RUBBER HOSE, 16" X 4-FT. |
| LLC48161309 | CLEAR HOSE, 16" DIAMETER, .06" WALL |
| LLC48161312 | CLEAR HOSE, 16" DIAMETER X 12-FT., .06" WALL |
| LLC481615 | LEAF COLLECTOR HOSE, 16" X 8-FT.4" |
| LLC481811 | LEAF COLLECTOR HOSE, 18 X 5-FT. |
| LLC48900006 | CLUTCH DISC FOR 1-3/4" SPLINE |
| LLC52320009 | WATER TEMP SENDER |
| LLC5501006 | EXHAUST DUCT |
| LLC5501007 | EXHAUST DUCT ADJUSTER PLATE |
| LLC5501007G | EXHAUST DUCT GASKET |
| LLC5501704 | COUNTER BALANCE VALVE |
| LLC5501800 | CONNECTOR |
| LLC5501812 | BOOM SWIVEL |
| LLC580XZ | POWER BAND BELT |
| LLC6002214 | HINGE |
| LLC6002250 | BELT GUARD DOOR |
| LLC6002251 | BELT GUARD INSIDE COVER |
| LLC6002322 | POWER CORD |
| LLC6002431C | LIMIT SWITCH HARNESS |
| LLC6003028 | IMPELLER FAN |
| LLC60702 | EXHAUST ELBOW |
| LLC616606MA1A | BOOM ARM IN/OUT (AFTER 5/10) |
| LLC62050DX | PILOT BEARING |
| LLC62538 | HOUR METER |
| LLC62540 | TEMPERATURE GAUGE |
| LLC62542 | OIL PRESSURE GAUGE |
| LLC62551 | FUEL GAUGE |
| LLC62555 | VOLT METER |
| LLC63524 | TACHOMETER |
| LLC641051 | LIMIT SWITCH |
| LLC6502128 | HINGE |
| LLC6502201 | BLOWER HOUSING FACE |
| LLC6502322 | UP/DOWN SWITCH HARNESS |
| LLC6502701 | MUFFLER |
| LLC651606 | LIMIT SWITCH |
| LLC75021 | KEEPER |
| LLC750214A | LH DOOR ROD |
| LLC750214B | RH DOOR ROD |

OLD DOMINION BRUSH

| | |
|---------------|--|
| LLC75022 | ROD BRACKET |
| LLC75023 | ROD BRACKET BACK |
| LLC75025 | LOCK ROD SPACER SLEEVE |
| LLC750299 | LOCK DOWN BRACKET |
| LLC77001004 | EXHAUST DUCT |
| LLC77002008 | INTAKE ELBOW, 16" |
| LLC770020160 | INTAKE ELBOW, 18" |
| LLC8001011 | STANDARD CRADLE ARM |
| LLC8001012 | DOWN EXHAUST BOX CRADLE ARM |
| LLC8001901 | HAT CHANNEL BRACKET |
| LLC8001902 | FRONT PANEL |
| LLC8001902L | LH SIDE PANEL |
| LLC8001902R | RH SIDE PANEL |
| LLC8001903 | CROSS BRACE |
| LLC8001904 | SIDE STIFFENER |
| LLC8001905 | REAR PANEL |
| LLC8001907 | SCREEN RETAINER |
| LLC8002322 | POWER CORD |
| LLC8002705A | BELT DRIVE SHAFT, AFTER 02/12 |
| LLC8002705AOS | BELT DRIVE SHAFT, BEFORE 02/12 |
| LLC8002751 | COVER PLATE |
| LLC8002801 | DIRECT-DRIVE EXHAUST DUCT |
| LLC8002802 | EXHAUST ADJUSTABLE FLANGE |
| LLC8002803 | EXHAUST DUCT GASKET (DIRECT-DRIVE) |
| LLC8002805 | ADJUSTABLE FLANGE (INSIDE NOSE CONE) BELT DRIVE, JULY 2005 & AFTER |
| LLC8003002 | HYDRAULIC PARKING JACK ASSEMBLY |
| LLC8003005 | HYDRAULIC PARKING JACK CYLINDER |
| LLC8003006 | TOP CYLINDER PIN |
| LLC8003008 | CAP WELDMENT |
| LLC8003010 | JACK ASSEMBLY UPPER FRAME |
| LLC8003011 | JACK ASSEMBLY LOWER FRAME |
| LLC8003028 | CCW FAN, 30", TIER 4 (DIRECT DRIVE) |
| LLC8003402 | FLEX PIPE, 4" X 24" |
| LLC8003404 | STEPPED SEAL CLAMP, 4" O.D. |
| LLC8003502 | FUEL CAP |
| LLC8003505 | HYDRAULIC CYLINDER |
| LLC800425 | MERCURY SWITCH ASSEMBLY |

CHECK OUT OUR SELECTION OF HD BLACK RUBBER & CLEAR THERMOPLASTIC POLYURETHANE HOSES ON PAGE 102.

BEFORE BUYING ELSEWHERE, GET AN ABSOLUTELY FREE QUOTE FROM LACAL!

CONTACT US TODAY VIA PHONE 800.543.6161 or EMAIL SALES@LACAL.COM

THESE ARE JUST SOME OF OUR MOST REQUESTED PRODUCTS...



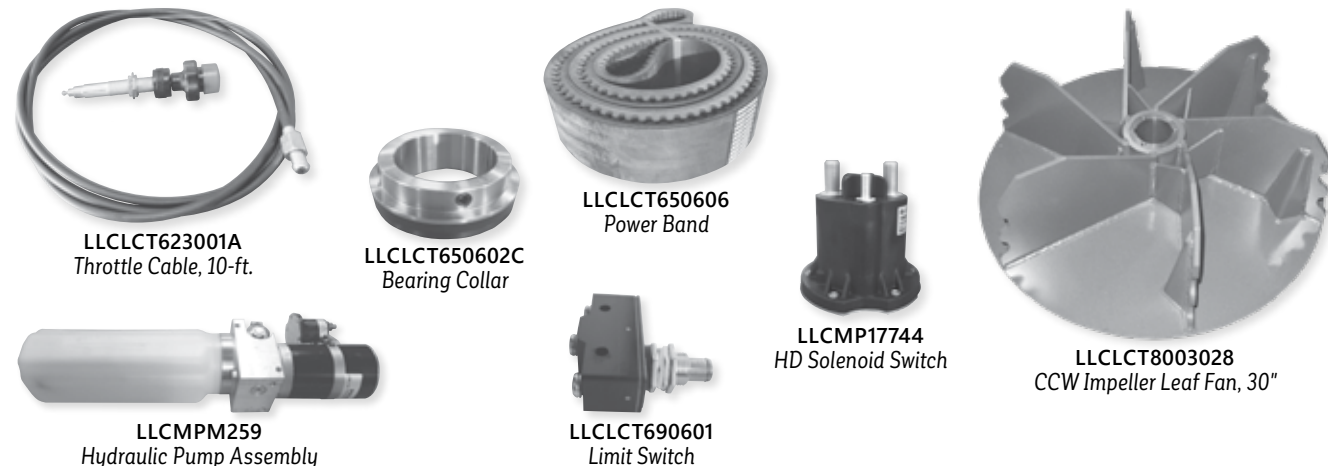
OLD DOMINION BRUSH

| | |
|---------------|--|
| LLC800428 | MERCURY SWITCH ONLY |
| LLC800432 | LIMIT SWITCH PLATE |
| LLC800433 | LIMIT SWITCH |
| LLC8004606 | BACK DOOR LIMIT SWITCH |
| LLC800702HA | SPROCKET, 18-TOOTH |
| LLC800703A | SPROCKET, 54-TOOTH |
| LLC800704 | BEARING BLOCK |
| LLC800707 | BOOM MAST FOR SPROCKET STYLE, THROUGH 2010 |
| LLC800707B | BOOM MAST 3-AXIS BOOM STYLE, 2010- |
| LLC816813 | HOSE SUPPORT TUBE, 18" |
| LLC816813D | BUSHING, 7/8" X 5/8" X 1/2" LG |
| LLC84134 | VOLT METER |
| LLC9341A7000 | FUEL SENDER |
| LLC9576 | IGNITION SWITCH (PULL TYPE) |
| LLC9603273 | OIL PRESSURE SWITCH |
| LLCAT35158 | RADIATOR FAN |
| LLCB333155 | MOTOR MOUNT |
| LLCE59M30C | PROXIMITY SWITCH |
| LLCFD20651 | THROW OUT BEARING |
| LLCFDF20651 | THROW OUT BEARING, NEW STYLE |
| LLCG065012 | AIR CLEANER ASSEMBLY WITH FILTER |
| LLCH001251 | AIR PRE-CLEANER, 6.5" |
| LLCH9601 | RADIATOR GROMMET |
| LLCLCB5009 | DEBRIS BOX CONTAINER, 9-FT. |
| LLCLCB5009B | DEBRIS BOX CONTAINER DOOR |
| LLCLCB5009C | DEBRIS BOX CONTAINER GASKET STRAP |
| LLCLCMDH1872 | EXHAUST HOSE |
| LLCLCT600038 | IMPELLER (6000) |
| LLCLCT60033 | CW LEAF FAN, 32" |
| LLCLCT600602 | INNER BEARING PLATE |
| LLCLCT600603 | INNER BEARING PLATE |
| LLCLCT600611 | OUTER BEARING PLATE |
| LLCLCT600615 | BELT DRIVE SHAFT PROTECTOR |
| LLCLCT600699 | VENT |
| LLCLCT600BGIB | INBOARD BELT GUARD WELDMENT |
| LLCLCT600BGOB | OUTBOARD BELT GUARD WELDMENT |
| LLCLCT6033 | CCW IMPELLER LEAF FAN, 32" |
| LLCLCT6046031 | ENGINE ADJUSTER NUT |
| LLCLCT6046032 | ADJUSTABLE MOTOR MOUNT |
| LLCLCT60624 | LIFT AND TURN LATCH |
| LLCLCT60629 | HOSE SUPPORT |

OLD DOMINION BRUSH

| | |
|--------------------|---|
| LLCLCT60642 | SUPPORT CHAIN |
| LLCLCT60645 | QUICK RELEASE HOSE CLAMP |
| LLCLCT60652 | SHAFT PROTECTOR (DIRECT-DRIVE) |
| LLCLCT60702 | GRADUAL 90-DEGREE DUCT |
| LLCLCT609602 | DRAW LATCH WITH CATCH |
| LLCLCT611612SP | BELT GUARD COVER ASSEMBLY |
| LLCLCT613601B | RH FENDER |
| LLCLCT613602B | LH FENDER |
| LLCLCT616601 | NEWER STYLE SUCTION NOZZLE |
| LLCLCT616601120 | OLD STYLE SUCTION NOZZLE, 12" |
| LLCLCT616601120S-A | CYLINDER, 12" NOZZLE |
| LLCLCT61660118E | DOUBLER |
| LLCLCT616601180 | OLD STYLE SUCTION NOZZLE, 18" |
| LLCLCT616601180S-A | CYLINDER, 18" DIAMETER |
| LLCLCT616601MA | NOZZLE, 45-DEGREE |
| LLCLCT6166010S | OLD STYLE SUCTION NOZZLE |
| LLCLCT616603U | HOSE CLAMP, 3/8" THICK HOSE |
| LLCLCT616603U18 | HOSE CLAMP, 3/8" THICK HOSE, 18" DIAMETER |
| LLCLCT616604 | INTAKE FLANGE |
| LLCLCT616607 | HOSE SUPPORT HANGER |
| LLCLCT616611B | PUSH BUTTON SWITCHES ONLY (BOOM UP/DOWN) |
| LLCLCT650610 | GRADUAL 90-DEGREE DUCT |
| LLCLCT616616 | BOLT STYLE HOSE CLAMP |
| LLCLCT616618 | BOLT STYLE HOSE CLAMP, 18" |
| LLCLCT6166606A | BOOM ARM |
| LLCLCT617604 | FLOW CONTROL VALVE |
| LLCLCT620601 | BLOWER HOUSING BACK |
| LLCLCT620602 | LINER SET |
| LLCLCT62060230 | LINER SET |
| LLCLCT620602A | BOLT-IN LINER |
| LLCLCT620602U | URETHANE LINER SET |
| LLCLCT620604 | STRAIGHT LINER |
| LLCLCT621590 | SUPPORT BAR |
| LLCLCT621591 | SUPPORT BAR BRACKET |
| LLCLCT621601FB | BLOWER HOUSING COVER |
| LLCLCT621603 | INSPECTION DOOR HINGE |
| LLCLCT621610 | DISCHARGE DUCT |
| LLCLCT621611 | TRANSITION WELDMENT, 21" OAL, PRE-2001 |
| LLCLCT622602L | LATCH |
| LLCLCT622623 | PINTLE EYE |
| LLCLCT622623A2 | PINTLE BRACKET WITH U-CHANNEL |

LACAL HAS MANY MORE ITEMS AVAILABLE – JUST ASK!



OLD DOMINION BRUSH

| | |
|-----------------|------------------------------------|
| LLCLCT622624 | PARKING JACK |
| LLCLCT622626 | POWER CORD |
| LLCLCT623001A | THROTTLE CABLE, 10-FT. |
| LLCLCT623001B | THROTTLE CABLE, 6-FT. |
| LLCLCT62601E | LONG FLANGE ANGLE |
| LLCLCT630101 | IMPELLER BUSHING |
| LLCLCT630102 | SHAFT PROTECTOR |
| LLCLCT630602 | LINER SET |
| LLCLCT630603 | STRAIGHT LINER |
| LLCLCT633605P1 | FUEL CAP |
| LLCLCT650 | IMPELLER SHAFT |
| LLCLCT6500 | IMPELLER SHAFT |
| LLCLCT650114 | RADIATOR SCREEN CLAMP |
| LLCLCT650601F | FLAT KEY (BELT DRIVE UNITS) |
| LLCLCT650601K | STEP DOWN KEY (DIRECT-DRIVE) |
| LLCLCT650602 | BEARING |
| LLCLCT650602C | BEARING COLLAR |
| LLCLCT650602D | SPACER |
| LLCLCT650603 | SHEAVE, 7-3/4" O.D. |
| LLCLCT65060311A | SHEAVE, 11.35" O.D. |
| LLCLCT650606 | POWER BAND |
| LLCLCT650608 | DISCHARGE HOSE SUPPORT STAND |
| LLCLCT650609 | STRAIGHT DUCT |
| LLCLCT650611 | SQUARE TO ROUND DUCT (TRANSITION) |
| LLCLCT650623 | ENGINE COVER, RIGHT PANEL |
| LLCLCT650624 | INTAKE ELBOW |
| LLCLCT650625 | ENGINE COVER, FRONT PANEL |
| LLCLCT650628 | FENDER |
| LLCLCT650630B | FENDER |
| LLCLCT650660 | ENGINE COVER, TOP PANEL |
| LLCLCT650661 | ENGINE COVER, LEFT PANEL |
| LLCLCT650662 | ENGINE COVER, L. PANEL FUEL ACCESS |
| LLCLCT650663 | LH LOWER SIDE PANEL |
| LLCLCT650664 | RH LOWER SIDE PANEL |
| LLCLCT650665 | ROCKER SWITCH PANEL |
| LLCLCT650667 | PEDESTAL DOOR |
| LLCLCT650668 | RADIATOR DOOR |
| LLCLCT650670 | INSTRUMENT GAUGE PANEL |
| LLCLCT651601 | BLOWER HOUSING FACE |
| LLCLCT690601 | LIMIT SWITCH |
| LLCLCT690602 | LIMIT SWITCH WIRE |

OLD DOMINION BRUSH

| | |
|---------------|--|
| LLCLCT800201 | SEAL PLATE |
| LLCLCT8003028 | CCW IMPELLER LEAF FAN, 30" |
| LLCLCT999 | CHIPPER BOX GASKET WITH 16" HOLE |
| LLCMP03335 | SOLENOID |
| LLCMP03406 | UP/DOWN BOOM SWITCH |
| LLCMP05485 | O-RING, INDUST, 3" X 3-1/8" X 1/16", 70 |
| LLCMP06214 | PLASTIC RESERVOIR, 3.5" X 12.4" |
| LLCMP06231 | PLASTIC RESERVOIR |
| LLCMP06232 | PLASTIC RESERVOIR, 3.5" X 15.7" |
| LLCMP07193D | SOLENOID VALVE CARTRIDGE |
| LLCMP07892 | CLAMP |
| LLCMP07993 | UP/DOWN CONTROL BOX (ORANGE) |
| LLCMP08004 | 12V DC MOTOR |
| LLCMP08053 | 12V DC MOTOR |
| LLCMP08711 | END CAP BRUSH ASSEMBLY |
| LLCMP10861D | COIL, 2 WAY-2 POSITION |
| LLCMP17744 | HD SOLENOID SWITCH |
| LLCMP19283D | BOOM PUMP SOLENOID |
| LLCMP3219S | COMPLETE PUMP ASSEMBLY |
| LLCMPCS15012 | BOOM CYLINDER |
| LLCMPM259 | HYDRAULIC PUMP ASSEMBLY |
| LLCOD400202 | PTO BEARING RETAINING COVER |
| LLCOD41500001 | PIVOT BALL |
| LLCOD41500019 | ROD END LINKAGE |
| LLCOD41500030 | ROCKER BALL |
| LLCOD41500045 | SHAFT BUSHING |
| LLCOD41500060 | PRESSURE PLATE ,13", 12 SPRING FOR 1-3/8 SHAFT |
| LLCOD41500063 | CLUTCH FORK |
| LLCOD41500065 | LINKAGE ROD, 3/8-24 X 4-1/4 |
| LLCOD41500066 | LINKAGE ROD, 3/8-24 X 3 |
| LLCOD41500125 | REAR PTO BEARING |
| LLCOD41500172 | CLUTCH COVER FOR 1-1/2" SHAFT |
| LLCOD41500174 | CLIP SPRING IN FORK |
| LLCOD41500194 | PTO ASSEMBLY FOR 1-3/8" SHAFT |
| LLCOD41500196 | PTO ASSEMBLY FOR 1-3/8" SPLINED SHAFT |
| LLCOD41500203 | PTO SHAFT ONLY (1-1/2" AUTO HD) |
| LLCOD41500206 | REAR PTO BEARING |

WE CUSTOM-BUILD LEAF IMPELLERS! CREATED TO YOUR EXACT SPECIFICATIONS – GUARANTEED TO FIT AND WORK LIKE A CHAMP. **CALL 800.543-6161 TODAY!**

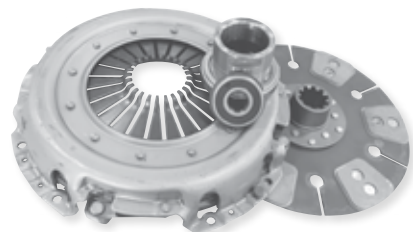
BEFORE BUYING ELSEWHERE, GET AN ABSOLUTELY FREE QUOTE FROM LACAL!

CONTACT US TODAY VIA PHONE 800.543.6161 or EMAIL SALES@LACAL.COM

ALL PARTS ARE GUARANTEED TO MEET WITH YOUR APPROVAL. Local Equipment, Inc. offers after-market parts for road and highway maintenance equipment. All original equipment manufacturer's names, drawings, colors and part numbers are used for identification purposes only. Local is in no way implying that any of our products are original equipment parts.

ALL PARTS ARE GUARANTEED TO MEET WITH YOUR APPROVAL. Local Equipment, Inc. offers after-market parts for road and highway maintenance equipment. All original equipment manufacturer's names, drawings, colors and part numbers are used for identification purposes only. Local is in no way implying that any of our products are original equipment parts.

THESE ARE JUST SOME OF OUR MOST REQUESTED PRODUCTS...



LLCOD48080165
Clutch Kit, 1-3/4" Splined Shaft



LLCOD41500251
Clutch Fork (3/08 & After)



LLCSCL620601
Blower Housing Back



LLCSCL800623
Pintle Eye Assembly



LLCSCL6705
Hand Grip



LLCOD41500243
Complete PTO Assembly,
1-3/4" Splined Shaft



OLD DOMINION BRUSH

| | |
|-----------------|--|
| LLCOD41500207 | FRONT PTO BEARING |
| LLCOD41500209 | PRESSURE PLATE (16 SPRING), 1-1/2" SPLINE |
| LLCOD41500217 | PILOT BEARING |
| LLCOD41500242 | PTO COLLAR |
| LLCOD41500243 | COMPLETE PTO ASSEMBLY 1-3/4" SPLINED SHAFT |
| LLCOD41500243KT | PTO/CLUTCH SERVICE KIT, 1-3/4" SPLINED SHAFT |
| LLCOD41500250 | THROW OUT BEARING |
| LLCOD41500251 | CLUTCH FORK (3/08 AND AFTER) |
| LLCOD41500252 | COMPLETE PTO ASSEMBLY 1-1/2" SPLINED SHAFT |
| LLCOD41500252KT | PTO/CLUTCH SERVICE KIT, 1-1/2" SPLINED SHAFT |
| LLCOD41500265 | THROW OUT BEARING |
| LLCOD48080023KT | CLUTCH/PTO KIT, 1-3/8" SHAFT |
| LLCOD48080154 | CLUTCH ASSEMBLY |
| LLCOD48080163 | CLUTCH KIT, 1-1/2" SPLINE SHAFT |
| LLCOD48080164 | CLUTCH KIT, 1-3/4" SPLINED SHAFT |
| LLCOD48080165 | CLUTCH KIT, 1-3/4" SPLINED SHAFT |
| LLCOD48900003 | CLUTCH DISC, 13" |
| LLCOD48900008 | SMALL THROW OUT BEARING |
| LLCOD48900011 | CLUTCH DISC, 1-3/8" SHAFT |
| LLCOD48900012 | CLUTCH DISC, 1-1/2" SPLINE |
| LLCOD48900013 | CLUTCH DISC, 1-3/4" SPLINED |
| LLCODLCT690601A | LIMIT SWITCH |
| LLCODM065074D2 | MUFFLER |
| LLCP003951 | CLAMP |
| LLCP020227 | BOWL |
| LLCP020648 | BOWL COVER |
| LLCP101870 | WING NUT |
| LLCP102805 | DUST CAP |
| LLCP102980 | RUBBER BAFFLE |
| LLCP103113 | DUST CAP |
| LLCP105532 | ELBOW, 3" X 90-DEG |
| LLCP181054 | FILTER ELEMENT |
| LLCP1230 | PTO ASSEMBLY |
| LLCP300209A | CROSSTUBE, LINKAGE, HANDLE KIT |
| LLCPSM7515 | CLUTCH FORK |
| LLCPSM7522 | CLUTCH FORK PIVOT BALL |
| LLCPSM7522LONG | PIVOT BALL, LONG |
| LLCPSMK13 | CLUTCH KIT |
| LLCPV101C | POWER VIEW DISPLAY MODULE |
| LLCRAS101 | CHAFF ELIMINATOR FAN |
| LLCRAS111 | CHAFF ELIMINATOR DEFLECTOR |

OLD DOMINION BRUSH

| | |
|-----------------|--------------------------------------|
| LLCRAS114 | ANGLE FRAME |
| LLCRAS200 | CHAFF ASSEMBLY |
| LLCRAS204 | CHAFF ELIMINATOR BEARING |
| LLCRE503242 | FUEL INJECT. PUMP TEMP SWITCH |
| LLCRMB531 | BUSHING |
| LLCSCL5CT1214 | SIGHT GAUGE |
| LLCSCL609601B | BLOWER HOUSING SUPPORT PEDESTAL |
| LLCSCL620601 | BLOWER HOUSING BACK |
| LLCSCL620601A | OUTBOARD PANEL |
| LLCSCL620601B | INBOARD PANEL |
| LLCSCL620601BD | BLOWER HOUSING BACK, BELT DRIVE ONLY |
| LLCSCL621601BDA | BLOWER HOUSING FACE, BELT DRIVE - 3X |
| LLCSCL621601C | BLOWER HOUSING FACE, DIRECT DRIVE |
| LLCSCL621602 | INSPECTION DOOR |
| LLCSCL6701 | PIN |
| LLCSCL6702 | STOP PIN HANDLE ASSEMBLY |
| LLCSCL6703 | COMPRESSION SPRING |
| LLCSCL6704 | HANDLE ROD |
| LLCSCL6705 | HAND GRIP, BLACK |
| LLCSCL800015 | BODY PROP |
| LLCSCL800020 | TAIL PIPE |
| LLCSCL800027A | RH PASSENGER SIDE DOOR |
| LLCSCL800027B | LH DRIVER SIDE DOOR |
| LLCSCL800028 | HINGE |
| LLCSCL800029 | HOOD SCOOP COMPLETE ASSEMBLY |
| LLCSCL800030 | DOOR SEAL RUBBER |
| LLCSCL800034 | DOOR SEAL BRACKET |
| LLCSCL800201 | SEAL PLATE, DIRECT DRIVE ONLY |
| LLCSCL800202 | RUBBER SEAL |
| LLCSCL8002803A | EXHAUST DUCT LONG GASKET |
| LLCSCL800622 | TONGUE, 12-FT. |
| LLCSCL800623 | PINTLE EYE ASSEMBLY |
| LLCSCL800624F | STOP FOOT |
| LLCSCL800624G | HYDRAULIC PARKING JACK ASSEMBLY |
| LLCSCL800624P | BOTTOM CYLINDER PIN |
| LLCSCL800811 | DEFLECTOR RUBBER |
| LLCSCL800827 | TONGUE HOSE CLAMP ASSEMBLY |
| LLCSCL800827B | TONGUE HOSE CLAMP |
| LLCSCL800880 | NOSE CONE LINER |
| LLCSCL800881 | DEFLECTOR RUBBER RETAINER |
| LLCSCL805810 | SCREEN |

LACAL HAS MANY MORE ITEMS AVAILABLE - JUST ASK!



LLCSCL821817
Exhaust Duct Gasket



LLCSCL850606
Power Band



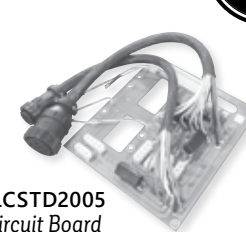
LLCA251491
Discharge Elbow Extension,
2-ft.



LLCUUP007191
Muffler Support Band



LLCSTD2702
Clamp



LLCSTD2005
Circuit Board



LLCSTD2320A
Up/Down Switch Assembly



LLCSTD2321C
Wiring Harness with Push Buttons

OLD DOMINION BRUSH

| | |
|-----------------|---|
| LLCSCL810820 | O-RING ASSEMBLY OIL CAP |
| LLCSCL816501 | BEARING |
| LLCSCL816502 | 90-DEGREE FITTING |
| LLCSCL816506 | BUSHING |
| LLCSCL816506K | BUSHING KEY |
| LLCSCL816606A | BOOM MAST |
| LLCSCL816810 | IN/OUT HYDRAULIC CYLINDER |
| LLCSCL816812 | UP/DOWN HYDRAULIC CYLINDER |
| LLCSCL816813A | BEARING HOUSING |
| LLCSCL816814 | IN/OUT CYLINDER PIN |
| LLCSCL821817 | EXHAUST DUCT GASKET, PRE 3/03 |
| LLCSCL821817BD | BELT-DRIVE EXHAUST DUCT GASKET |
| LLCSCL821818 | DIRECT-DRIVE EXHAUST ADJ. FLANGE, PRE 03/03 |
| LLCSCL822619R | RIM ONLY |
| LLCSCL833604A | FUEL CAP & GAUGE |
| LLCSCL833607 | PICKUP TUBE GASKET |
| LLCSCL850606 | POWER BAND |
| LLCSCL8750001AF | STOP PIN HANDLE BRACKET |
| LLCSCL875001A | INTAKE SWIVEL ELBOW |
| LLCSCL875002 | INTAKE FLANGE |
| LLCSKB700007A | BLOWER HOUSING FACE, 0-DEGREE |
| LLCSKB875001A | INTAKE SWIVEL ELBOW, SKB |
| LLCSMK11CR | STEIN 11 CLUTCH KIT |
| LLCSP111C002 | TWIN DISC CLUTCH ASSEMBLY |
| LLCST40 | STARTER SOLENOID |
| LLCSTD2003 | SAFETY LIGHT SWITCH HARNESS |
| LLCSTD2005 | CIRCUIT BOARD |
| LLCSTD2320A | UP/DOWN SWITCH ASSEMBLY |
| LLCSTD2321C | WIRING HARNESS WITH PUSH BUTTONS |
| LLCSTD2324 | CONVERT HARNESS PLUG |
| LLCSTD2500 | HYDRAULIC VALVE BODY, 2-AXIS |
| LLCSTD2702 | CLAMP |
| LLCSTD2900B | HARNESS KIT |
| LLCSTD2916 | CABLE CLAMP |
| LLCSTD2917 | SOCKET PLUG, 9-CONTACT |
| LLCSTD2918 | CONN HOUSING FREE HANG |
| LLCSTD2919 | CPC PLUG, 9-PIN |
| LLCSTD3000 | REMOTE CLUTCH/THROTTLE CIRCUIT |
| LLCSTD3040B1 | E-STOP SWITCH |
| LLCSTD4000 | LIMIT SWITCH BOX |
| LLCSTD4001 | LIMIT SWITCH ACTUATOR |

OLD DOMINION BRUSH

| | |
|-----------------|----------------------------------|
| LLCSTD4204 | JOYSTICK, BLACK/YELLOW BUTTONS |
| LLCSTD6300 | INSTRUMENT PANEL COMPLETE |
| LLCSTD6304 | WIRING PLUG BRACKET |
| LLCSTD6306 | THROTTLE DECAL |
| LLCSTD6308 | LATCH |
| LLCSTD6309 | LATCH HOOK |
| LLCSTD6556 | CLUTCH ACTUATOR |
| LLCSTR01 | SINGLE TRIGGER |
| LLCTCC1100R | BOOM FUNCTIONS SOLENOID COIL |
| LLCTCC1104 | HYDRAULIC FILTER ASSEMBLY |
| LLCUU199T52500H | SHORT LUBE HOSE |
| LLCUU211330001 | PRE-CLEANER, TURBO III |
| LLCUU81260 | KNOB |
| LLCUUG080023 | AIR CLEANER ASSEMBLY WITH FILTER |
| LLCUUP007191 | MUFFLER SUPPORT BAND |
| LLCUUFP103602 | FLUID COUPLER SHAFT, 5.5" |

TARRANT

| | |
|---------------|------------------------------------|
| LLC106897 | IMPELLER SHAFT KEY |
| LLC114591 | LINER SET, 2 PCS, 1/8" THICK |
| LLC114591A | LINER SET, 2 PCS, 1/4" THICK |
| LLC115643 | DC POWER PACK |
| LLC12909 | FAN SHAFT |
| LLC2167944 | BUSHING |
| LLC225901 | CW FAN, 30" |
| LLC228821B | CCW FAN, 36", 1/4" BLADES |
| LLC228821C | CCW FAN, 33", 2-3/16", 1/4" BLADES |
| LLC228821D | CW FAN, 36", 1/4" BLADES |
| LLC228821DCCW | CCW FAN, 36", 3/8" BLADES |
| LLC228827A | CW FAN, 33", 2-3/16" |
| LLC228828B | CCW FAN, 36", 3/8" BLADES |
| LLC228828C | CCW FAN, 33", 2-3/16", 3/8" BLADES |
| LLC600021 | IMPELLER BUSHING |
| LLC6000215 | IMPELLER BUSHING |
| LLC600023 | BUSHING, R2 X2-15/16" |
| LLCA22590 | 6-BLADE FAN, 31" |
| LLCA251491 | DISCHARGE ELBOW EXTENSION, 2-FT. |

PART NOT LISTED? WE HAVE HUNDREDS OF ADDITIONAL PARTS AVAILABLE FOR YOUR MACHINE. CALL 800.543-6161 TODAY!

BEFORE BUYING ELSEWHERE, GET AN ABSOLUTELY FREE QUOTE FROM LACAL!

CONTACT US TODAY VIA PHONE 800.543.6161 or EMAIL SALES@LACAL.COM

THESE ARE JUST SOME OF OUR MOST REQUESTED PRODUCTS...



**At Lactal Equipment,
we take the task of meeting
your needs seriously.**

From instantly reaching a live person on the phone to receiving shipments in a timely manner, you'll immediately notice that Lactal is different.

Everything we do is done with integrity and pride. We use the best materials and the finest craftsmanship in each Lactal Equipment product.

We stand behind our work. All Lactal parts are guaranteed to meet your approval. We have been around for over 40 years – and we are looking forward to working with YOU.



BEFORE BUYING ELSEWHERE, GET AN ABSOLUTELY FREE QUOTE FROM LACAL!

ALL PARTS ARE GUARANTEED TO MEET WITH YOUR APPROVAL. Lactal Equipment, Inc. offers after-market parts for road and highway maintenance equipment. All original equipment manufacturer's names, drawings, colors and part numbers are used for identification purposes only. Lactal is in no way implying that any of our products are original equipment parts.